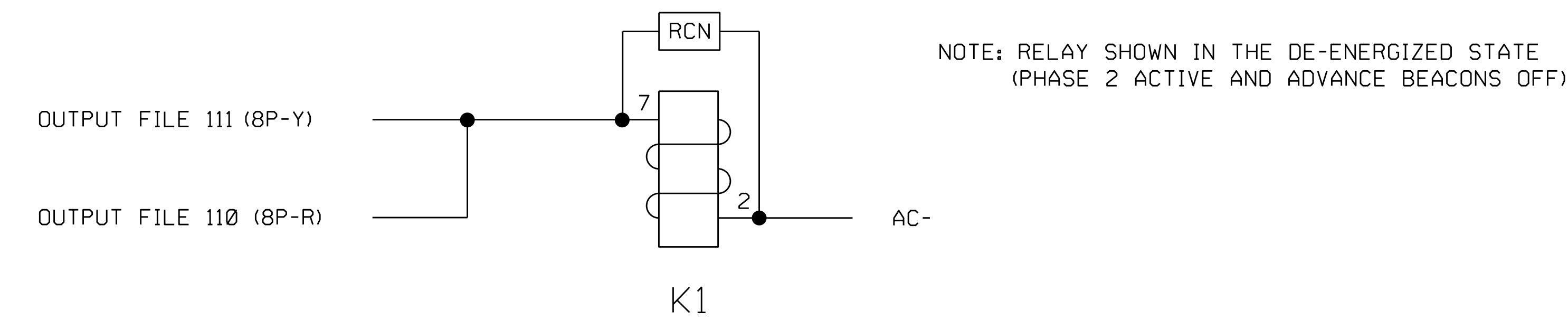
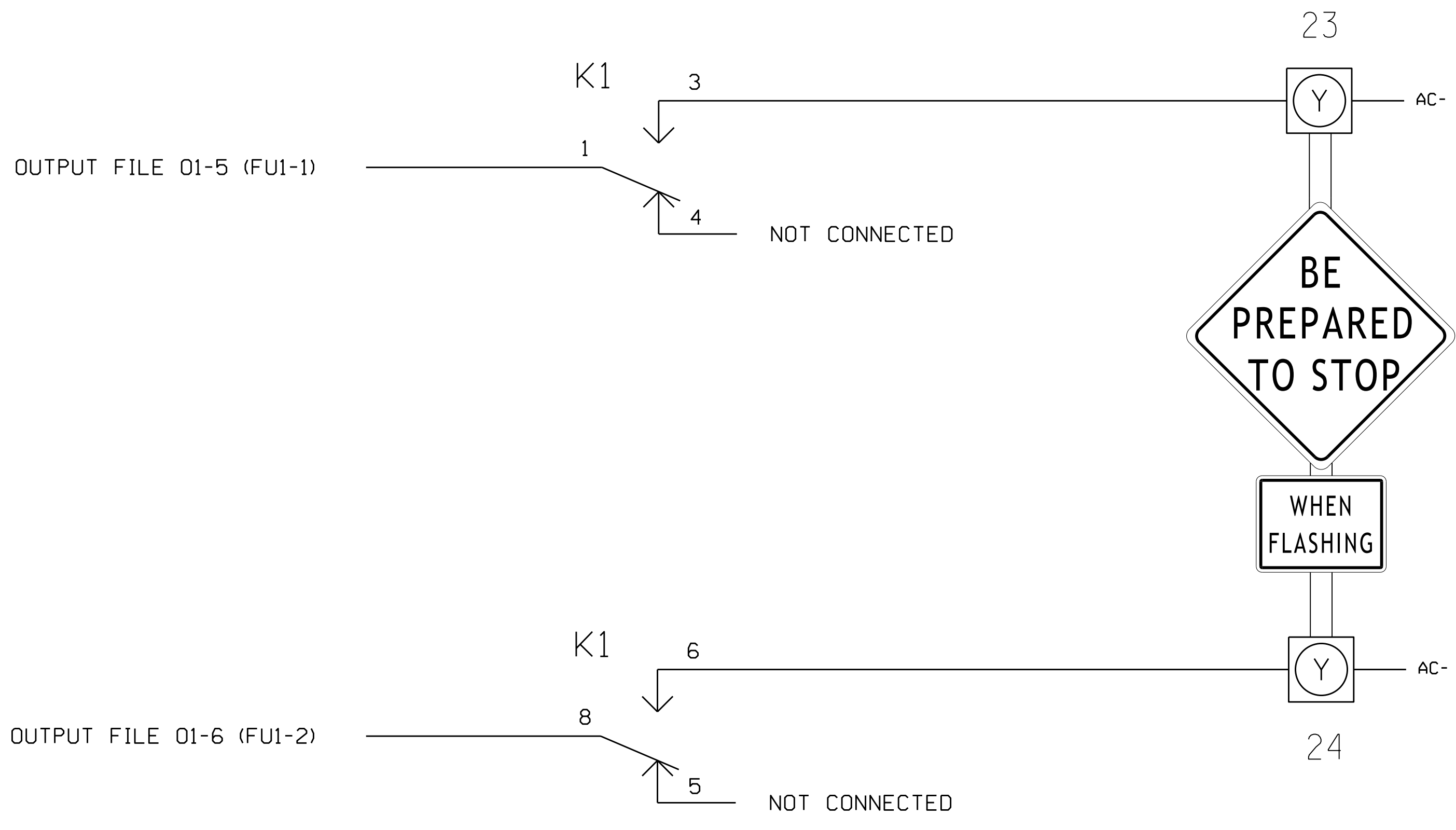


## ADVANCE BEACON RELAY CONTROL AND SIGN WIRING DETAIL



NOTE: RELAY SHOWN IN THE DE-ENERGIZED STATE  
(PHASE 2 ACTIVE AND ADVANCE BEACONS OFF).

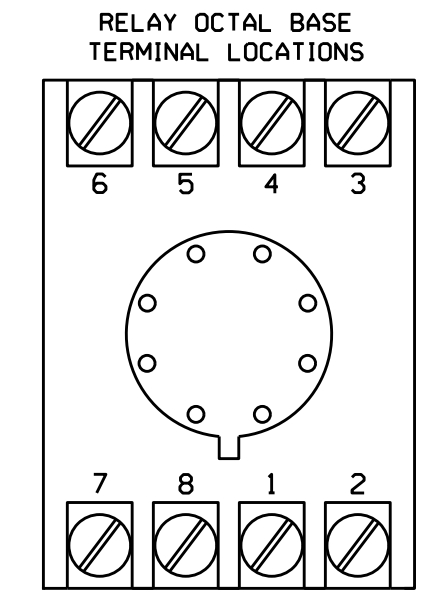


THIS ELECTRICAL DETAIL IS FOR  
THE SIGNAL DESIGN: 05-1642  
DESIGNED: December 2015  
SEALED: 2/1/2016  
REVISED: N/A

DOCUMENT NOT CONSIDERED FINAL  
UNLESS ALL SIGNATURES COMPLETED

### NOTES

- RELAY K1 IS A DPDT WITH A 120VAC COIL, CONTACT RATING 120VAC, 5 AMPS.
- THE RC NETWORK ACROSS THE COIL OF K1 IS VALUED AT .1 MICRO FARAD, 100 OHM.



Electrical Detail - Final Design - Sheet 2 of 2

ELECTRICAL AND PROGRAMMING DETAILS FOR:	<b>W. Peace Street at US 70 WB-401/NC 50 NB (Capital Blvd.) Ramps</b>	SEAL 
	Division 5    Wake County    Raleigh	
Prepared in the Offices of: PUBLIC UTILITIES AND SAFETY SERVICES STATE OF NORTH CAROLINA Signal Management Systems	PLAN DATE: January 2016    REVIEWED BY: T. Joyce PREPARED BY: S. Armstrong    REVIEWED BY:	DocuSigned by: Keith M. Mins    2/2/2016 2F80796EBCD3445    DATE
750 Greenfield Parkway, Garner, NC 27529	REVISIONS    INIT.    DATE	SIG. INVENTORY NO.    05-1642

05-1642-2016-1449  
S:\MITS\SIG\T\S\Sig\01\work\groups\Sig\_Minh\armstrong\051642\_sm.ele.xxx.dgn  
sarmstrong