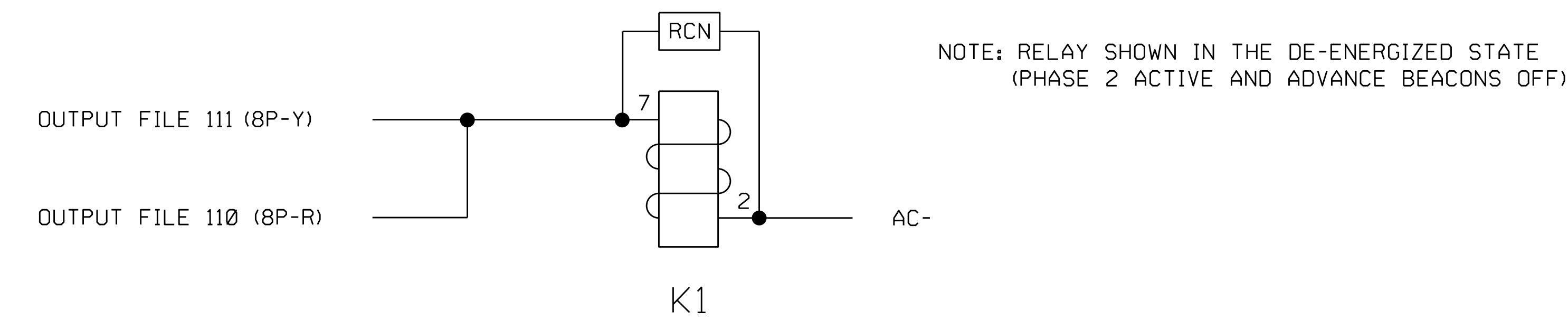
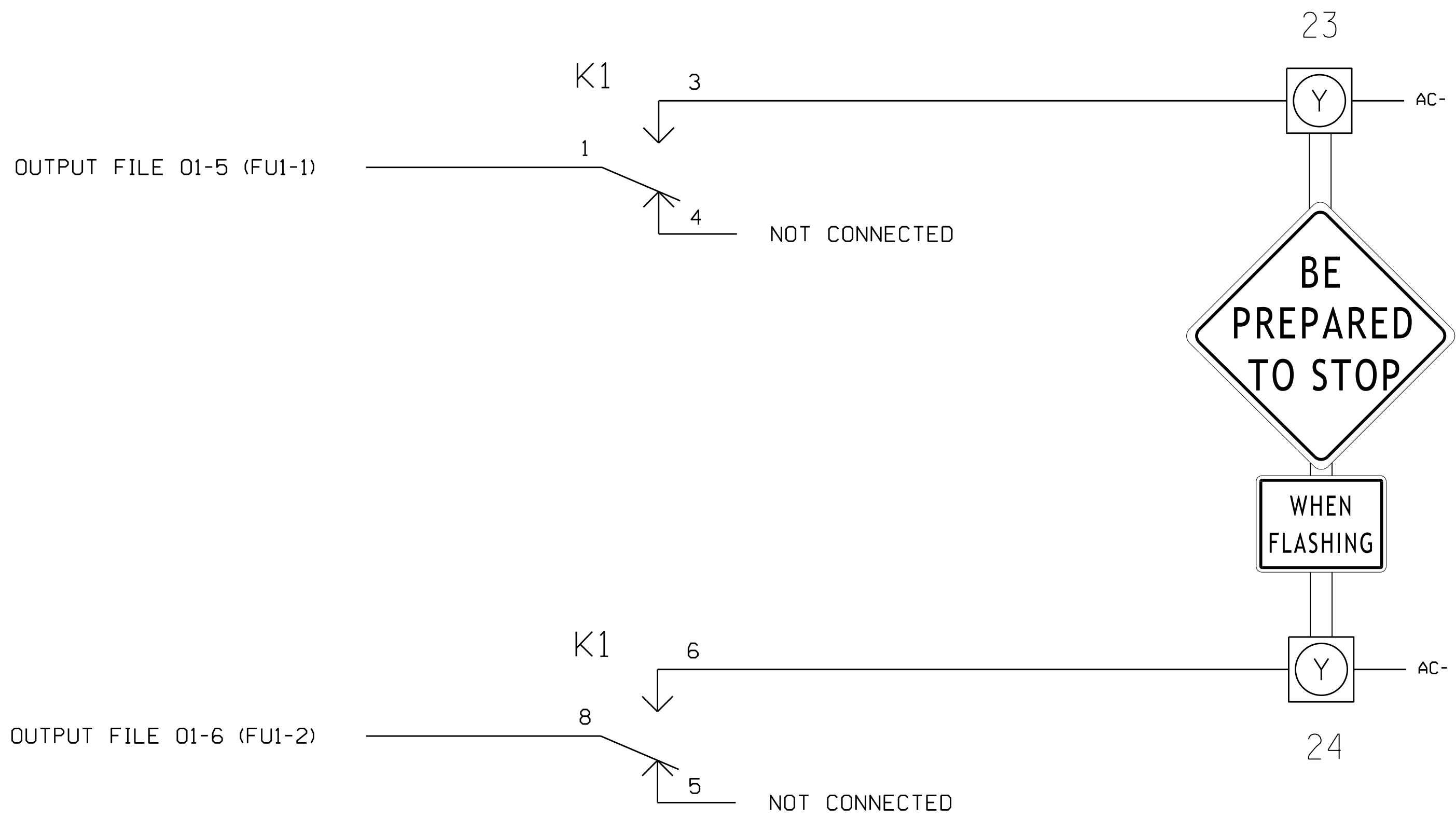


## ADVANCE BEACON RELAY CONTROL AND SIGN WIRING DETAIL



NOTE: RELAY SHOWN IN THE DE-ENERGIZED STATE  
(PHASE 2 ACTIVE AND ADVANCE BEACONS OFF).

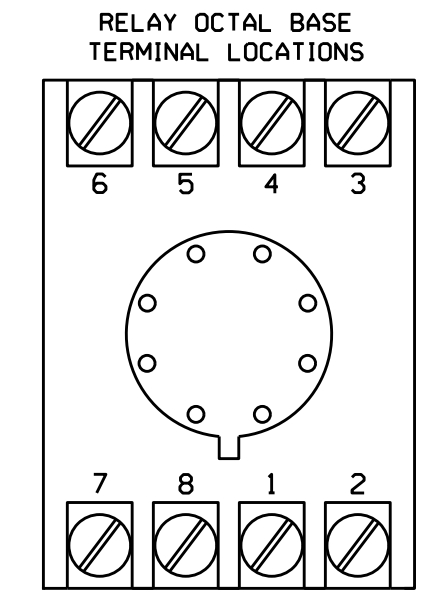


THIS ELECTRICAL DETAIL IS FOR  
THE SIGNAL DESIGN: 05-1642T4  
DESIGNED: December 2015  
SEALED: 2/1/2016  
REVISED: N/A

DOCUMENT NOT CONSIDERED FINAL  
UNLESS ALL SIGNATURES COMPLETED

### NOTES

- RELAY K1 IS A DPDT WITH A 120VAC COIL, CONTACT RATING 120VAC, 5 AMPS.
- THE RC NETWORK ACROSS THE COIL OF K1 IS VALUED AT .1 MICRO FARAD, 100 OHM.



Electrical Detail - Temp Design 4 (TMP Area II Phase IV, Step 2) - Sheet 3 of 3

<p style="font-size: small;">ELECTRICAL AND PROGRAMMING DETAILS FOR:</p> <p style="font-size: x-small;">Prepared in the Offices of: Public Utilities and Safety Services WAKE COUNTY DIVISION 5 750 Greenfield Parkway, Garner, NC 27529</p>	<p><b>W. Peace Street at US 70 WB-401/NC 50 NB (Capital Blvd.) Ramps</b></p> <p style="font-size: x-small;">Division 5 Wake County Raleigh</p> <p>PLAN DATE: January 2016    REVIEWED BY: T. Joyce</p> <p>PREPARED BY: S. Armstrong    REVIEWED BY:</p> <table border="1" style="width: 100%; border-collapse: collapse; font-size: x-small;"> <thead> <tr> <th>REVISIONS</th> <th>INIT.</th> <th>DATE</th> </tr> </thead> <tbody> <tr><td> </td><td> </td><td> </td></tr> <tr><td> </td><td> </td><td> </td></tr> <tr><td> </td><td> </td><td> </td></tr> </tbody> </table>	REVISIONS	INIT.	DATE										<p>SEAL</p> <p style="font-size: x-small;">DocuSigned by: Keith M. Mins    2/2/2016 2F8079E8C03445    DATE</p> <p style="font-size: x-small;">SIG. INVENTORY NO. 05-1642T4</p>
REVISIONS	INIT.	DATE												

05-1642-2016-10229  
S:\MITS\SIG\15\_Sig\01\work\hgr\051642\_tm.ele.xxx.dgn  
sarmstrong