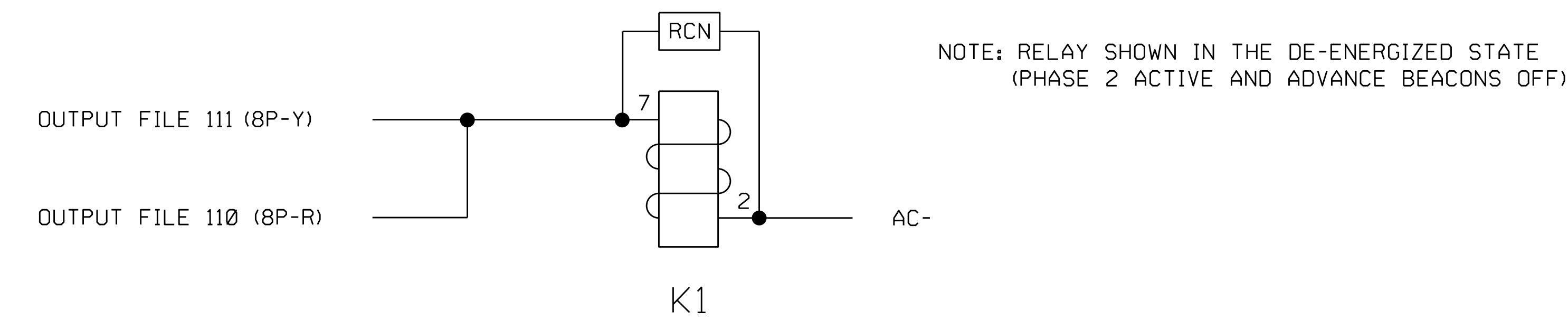
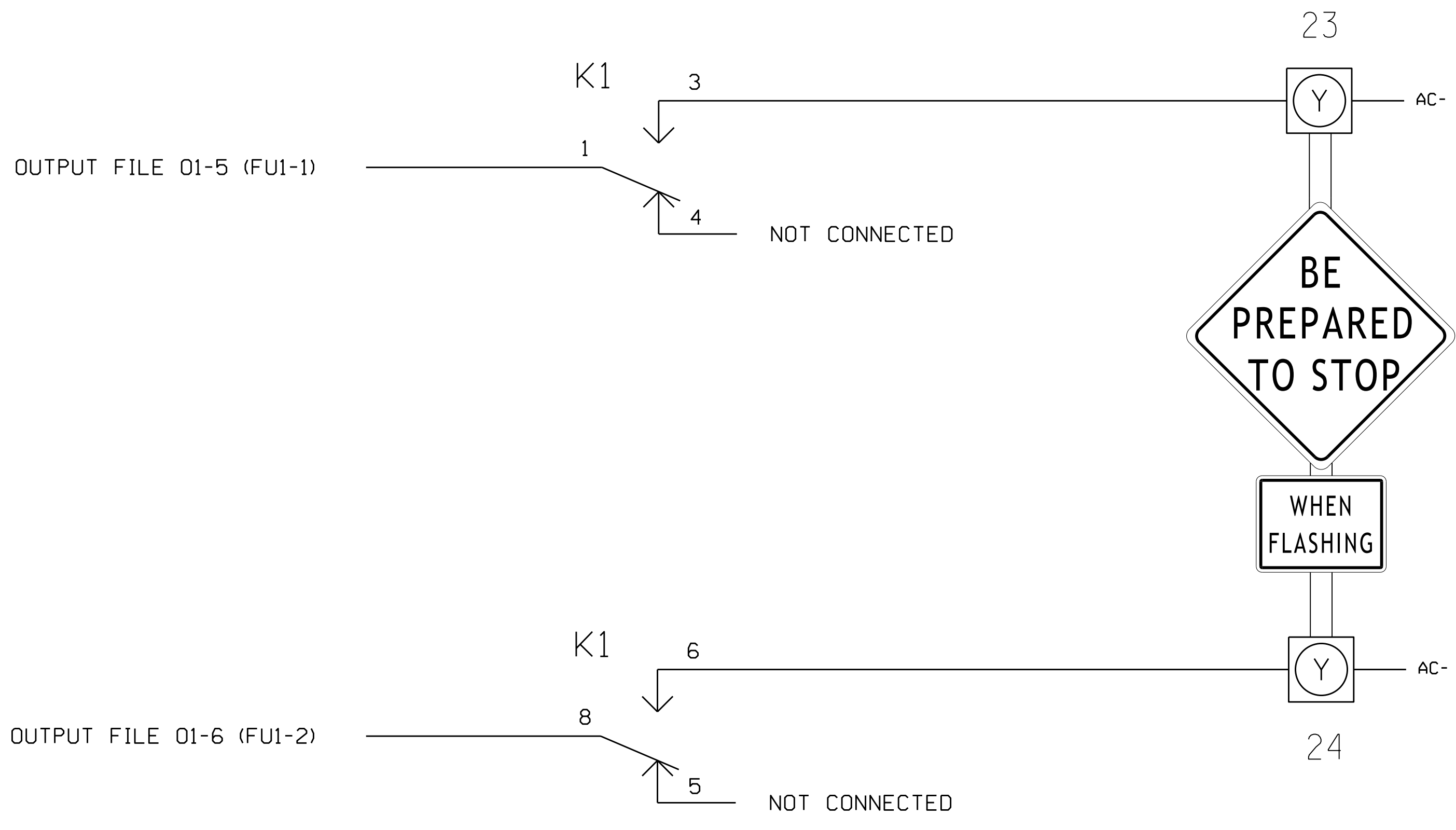


ADVANCE BEACON RELAY CONTROL AND SIGN WIRING DETAIL



NOTE: RELAY SHOWN IN THE DE-ENERGIZED STATE
(PHASE 2 ACTIVE AND ADVANCE BEACONS OFF).

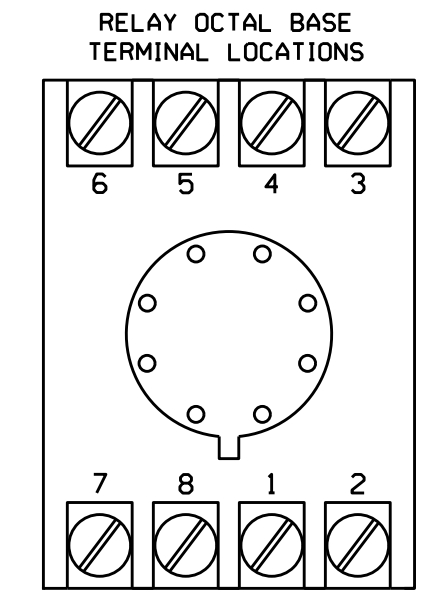


THIS ELECTRICAL DETAIL IS FOR
THE SIGNAL DESIGN: 05-1642T3
DESIGNED: December 2015
SEALED: 2/1/2016
REVISED: N/A

DOCUMENT NOT CONSIDERED FINAL
UNLESS ALL SIGNATURES COMPLETED

NOTES

1. RELAY K1 IS A DPDT WITH A 120VAC COIL, CONTACT RATING 120VAC, 5 AMPS.
2. THE RC NETWORK ACROSS THE COIL OF K1 IS VALUED AT .1 MICRO FARAD, 100 OHM.



Electrical Detail - Temp Design 3 (TMP Area II Phase III-IV) - Sheet 3 of 3

<p>Prepared in the Offices of:</p> <p>750 Greenfield Parkway, Garner, NC 27529</p>	<p>W. Peace Street at US 70 WB-401/NC 50 NB (Capital Blvd.) Ramps</p> <p>Division 5 Wake County Raleigh</p> <p>PLAN DATE: January 2016 REVIEWED BY: T. Joyce</p> <p>PREPARED BY: S. Armstrong REVIEWED BY:</p>	<p>SEAL</p> <p>DocuSigned by: Keith M. Minis 2/2/2016</p> <p>SIG. INVENTORY NO. 05-1642T3</p>									
<table border="1" style="width: 100%; border-collapse: collapse;"> <thead> <tr> <th>REVISIONS</th> <th>INIT.</th> <th>DATE</th> </tr> </thead> <tbody> <tr> <td> </td> <td> </td> <td> </td> </tr> <tr> <td> </td> <td> </td> <td> </td> </tr> </tbody> </table>			REVISIONS	INIT.	DATE						
REVISIONS	INIT.	DATE									

05-1642T3.dwg 1/2/2016 10:57 AM S:\Projects\05-1642T3\Sigs\KeithM.Minis\05-1642T3.dgn