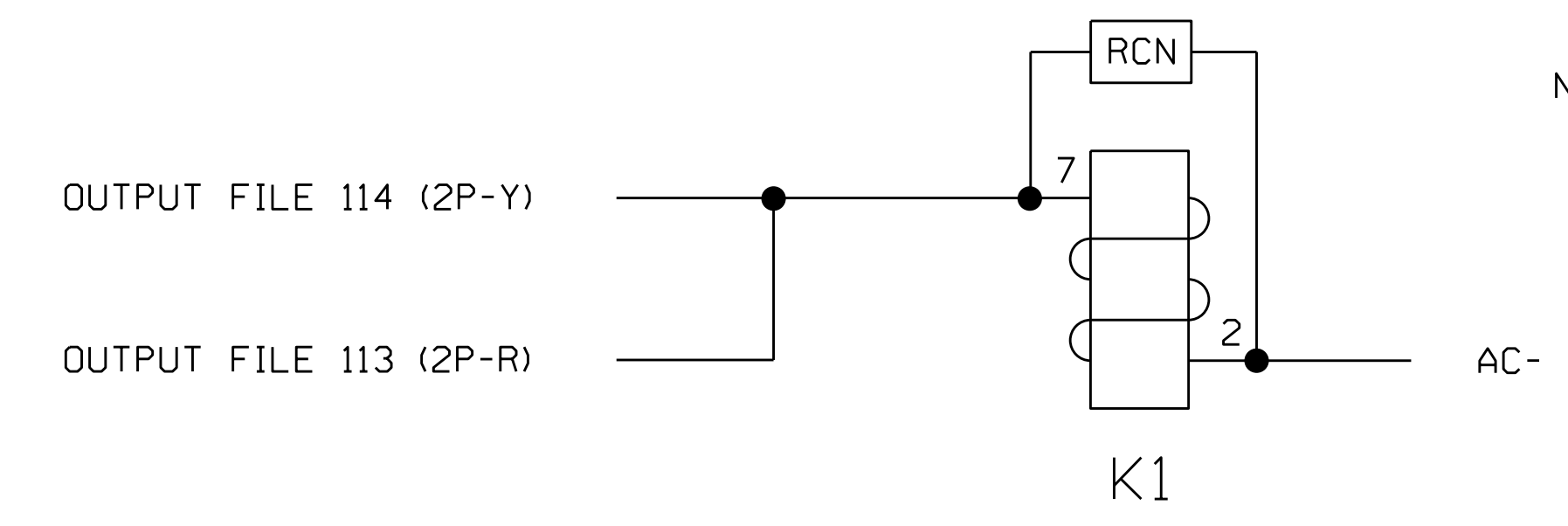
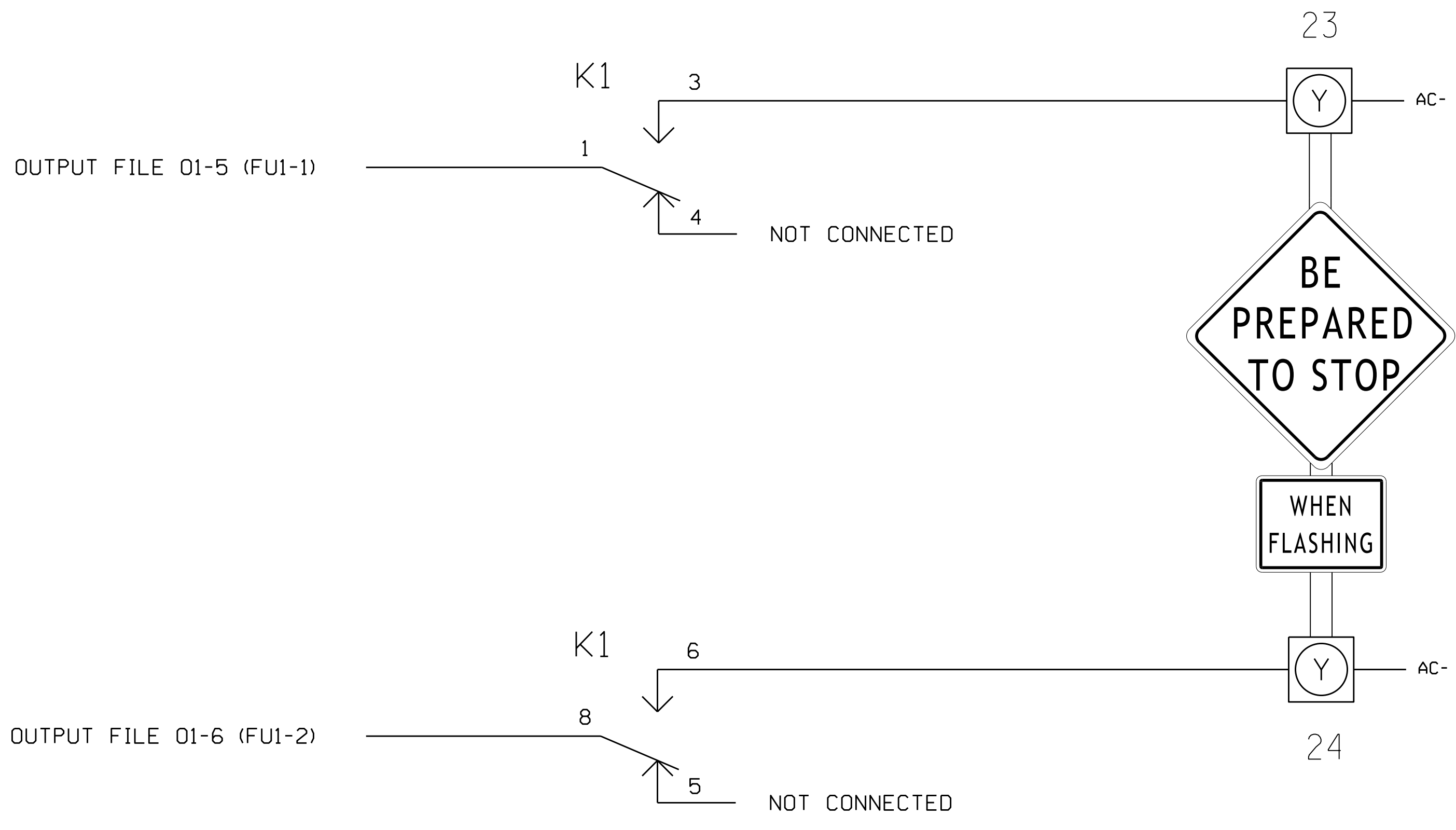


ADVANCE BEACON RELAY CONTROL AND SIGN WIRING DETAIL



NOTE: RELAY SHOWN IN THE DE-ENERGIZED STATE
(PHASE 2 ACTIVE AND ADVANCE BEACONS OFF).

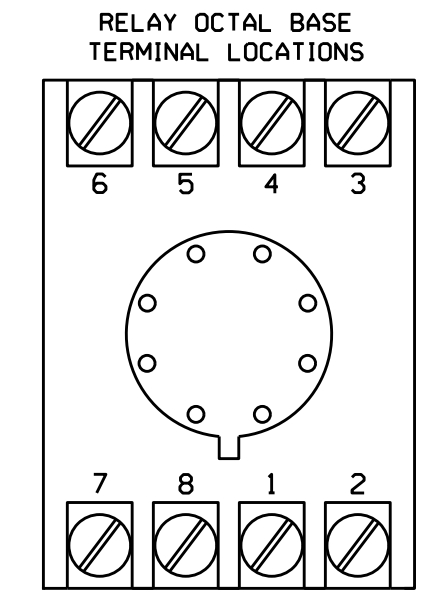


THIS ELECTRICAL DETAIL IS FOR
THE SIGNAL DESIGN: 05-1642T1
DESIGNED: December 2015
SEALED: 2/1/2016
REVISED: N/A

DOCUMENT NOT CONSIDERED FINAL
UNLESS ALL SIGNATURES COMPLETED

NOTES

- RELAY K1 IS A DPDT WITH A 120VAC COIL, CONTACT RATING 120VAC, 5 AMPS.
- THE RC NETWORK ACROSS THE COIL OF K1 IS VALUED AT .1 MICRO FARAD, 100 OHM.



Electrical Detail - Temp Design 1 (TMP Area II Phase I & III) - Sheet 3 of 3

<p style="font-size: small;">ELECTRICAL AND PROGRAMMING DETAILS FOR:</p> <p style="font-size: x-small;">Prepared in the Offices of: Public Utilities and Safety Services DIVISION OF TRANSPORTATION Signal Management Systems 750 Greenfield Parkway, Garner, NC 27529</p>	<p>W. Peace Street at US 70 WB-401/NC 50 NB (Capital Blvd.) Ramps</p> <p style="font-size: x-small;">Division 5 Wake County Raleigh</p> <p>PLAN DATE: January 2016 REVIEWED BY: T. Joyce PREPARED BY: S. Armstrong REVIEWED BY:</p>	<p>SEAL</p> <p>DocuSigned by: Keith M. Mims 2/2/2016 2F8078E8C03445 DATE</p>						
<table border="1" style="width: 100%; border-collapse: collapse;"> <thead> <tr> <th style="width: 80%;">REVISIONS</th> <th style="width: 10%;">INIT.</th> <th style="width: 10%;">DATE</th> </tr> </thead> <tbody> <tr> <td> </td> <td> </td> <td> </td> </tr> </tbody> </table>		REVISIONS	INIT.	DATE				<p>SIG. INVENTORY NO. 05-1642T1</p>
REVISIONS	INIT.	DATE						

05-1642T1.dwg 02/01/16
S:\Projects\2016\05-1642T1\Sigs\Keith.M.Mims\051642.dgn
S:\Projects\2016\05-1642T1\Sigs\Keith.M.Mims\051642.dgn
S:\Projects\2016\05-1642T1\Sigs\Keith.M.Mims\051642.dgn