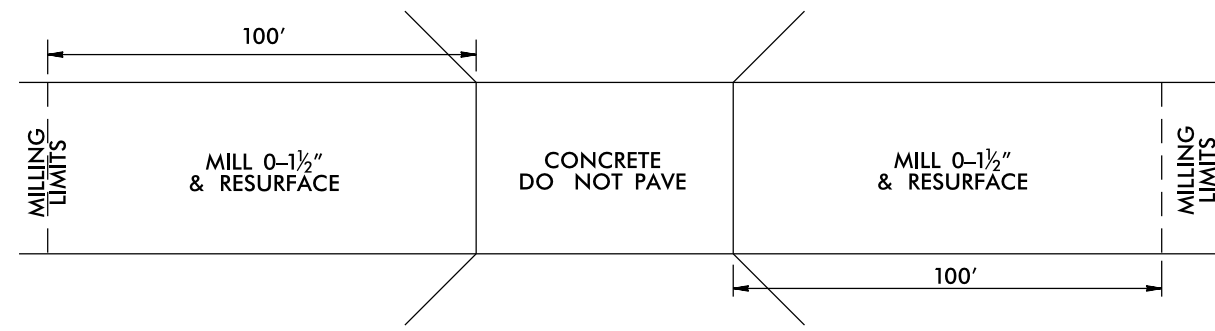
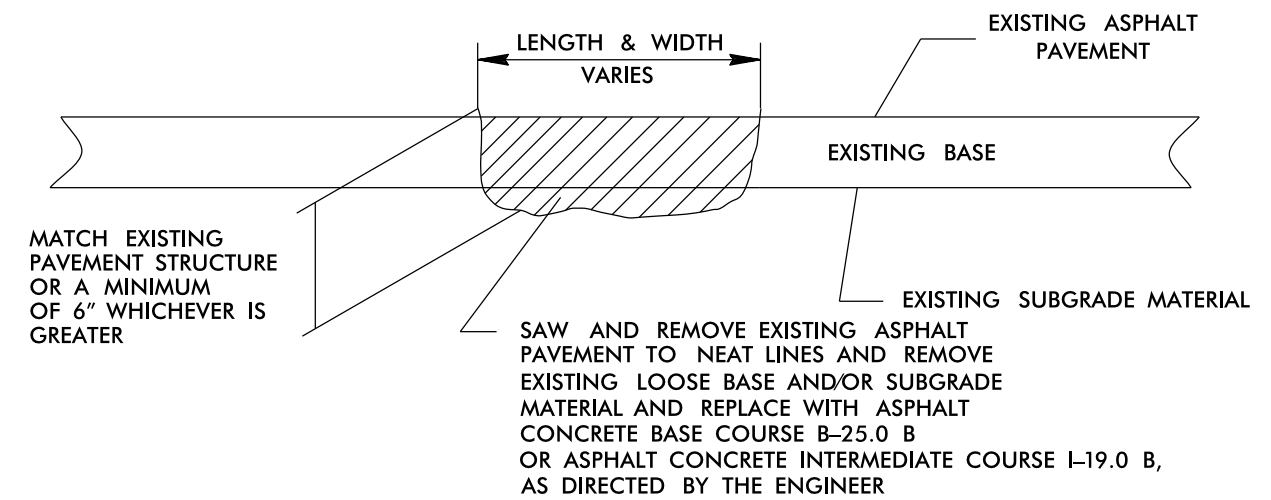


RANDOLPH COUNTY TYPICALS

DETAILS OF PATCHING EXISTING PAVEMENT PRIOR TO RESURFACING

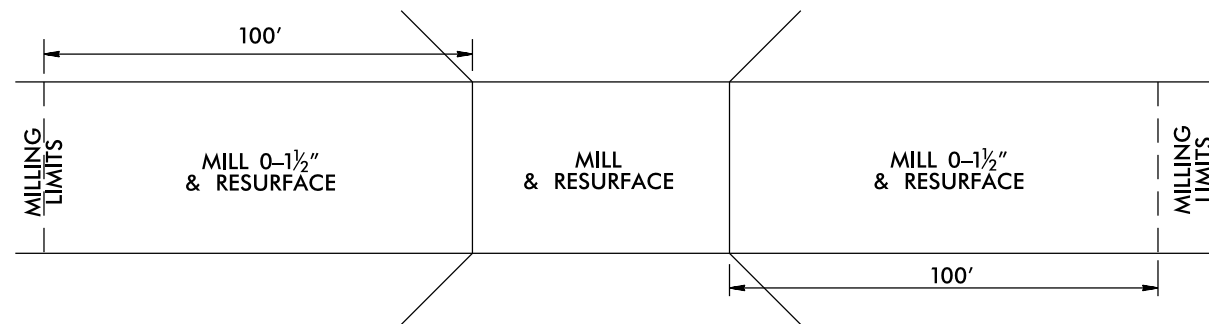
DETAIL



BRIDGE #'s (65, 105, & 137)

USE FOR MAP #9

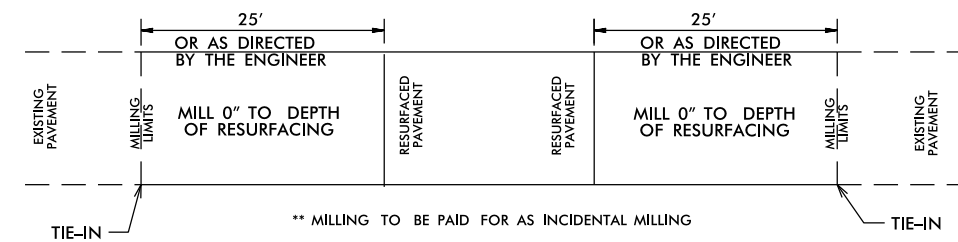
* MILLING SHALL BE PAID FOR UNDER INCIDENTAL MILLING



BRIDGE #'S (#30, #146)

USE FOR MAP #8, #16 RESPECTIVELY

* MILLING SHALL BE PAID FOR UNDER INCIDENTAL MILLING



PAVEMENT TIE-IN DETAIL