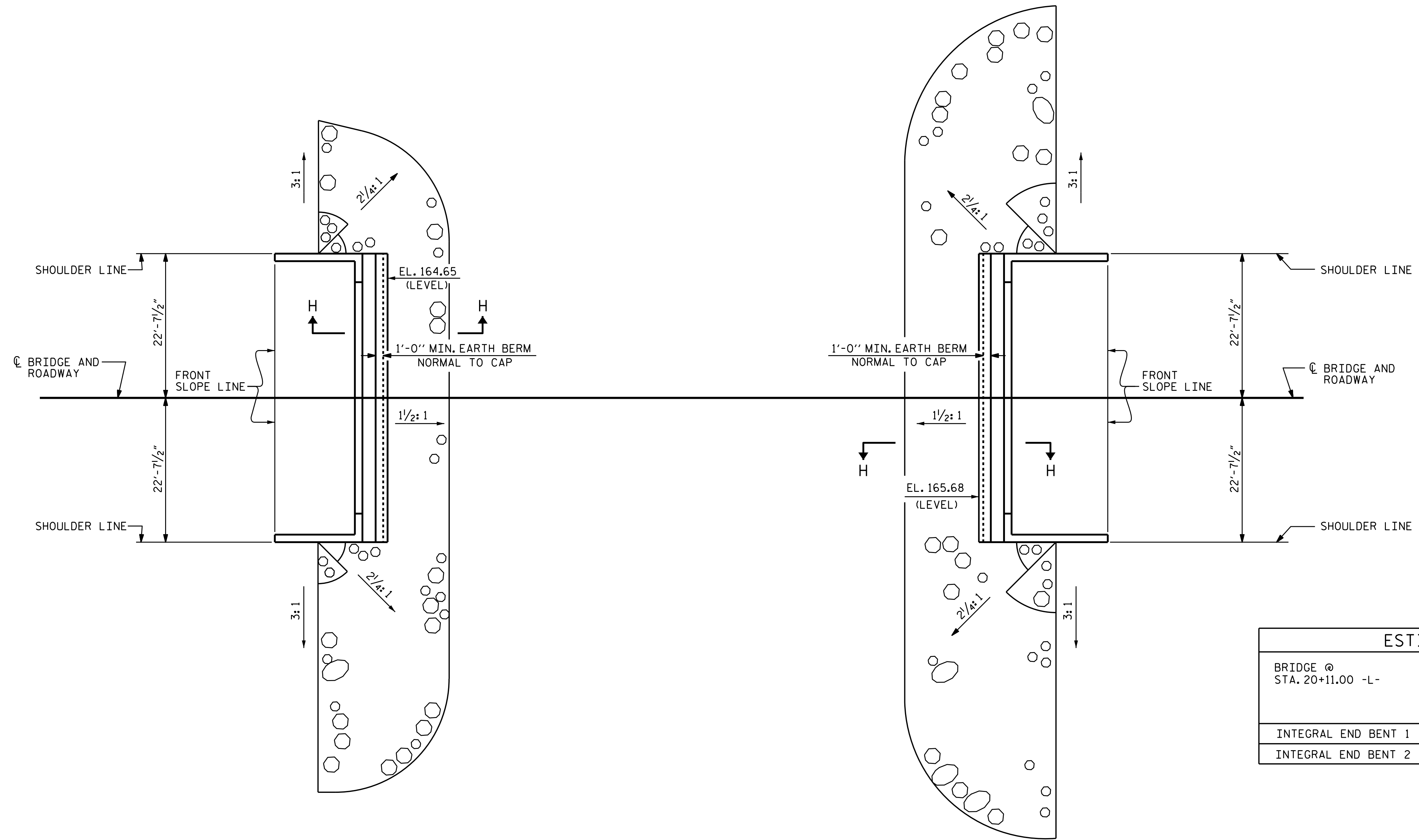


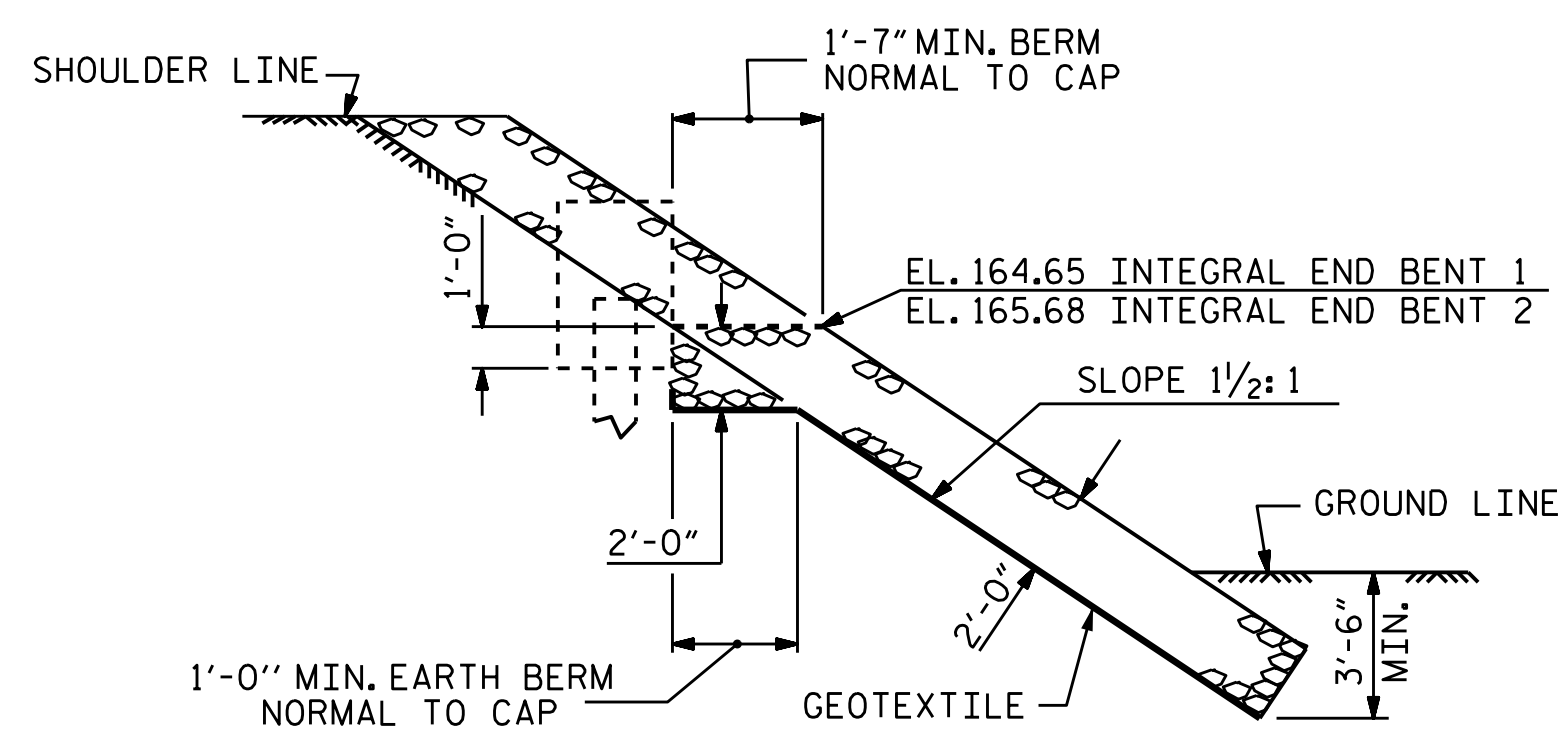
NOTES :
FOR BERM WIDTH DIMENSIONS, SEE GENERAL DRAWING.



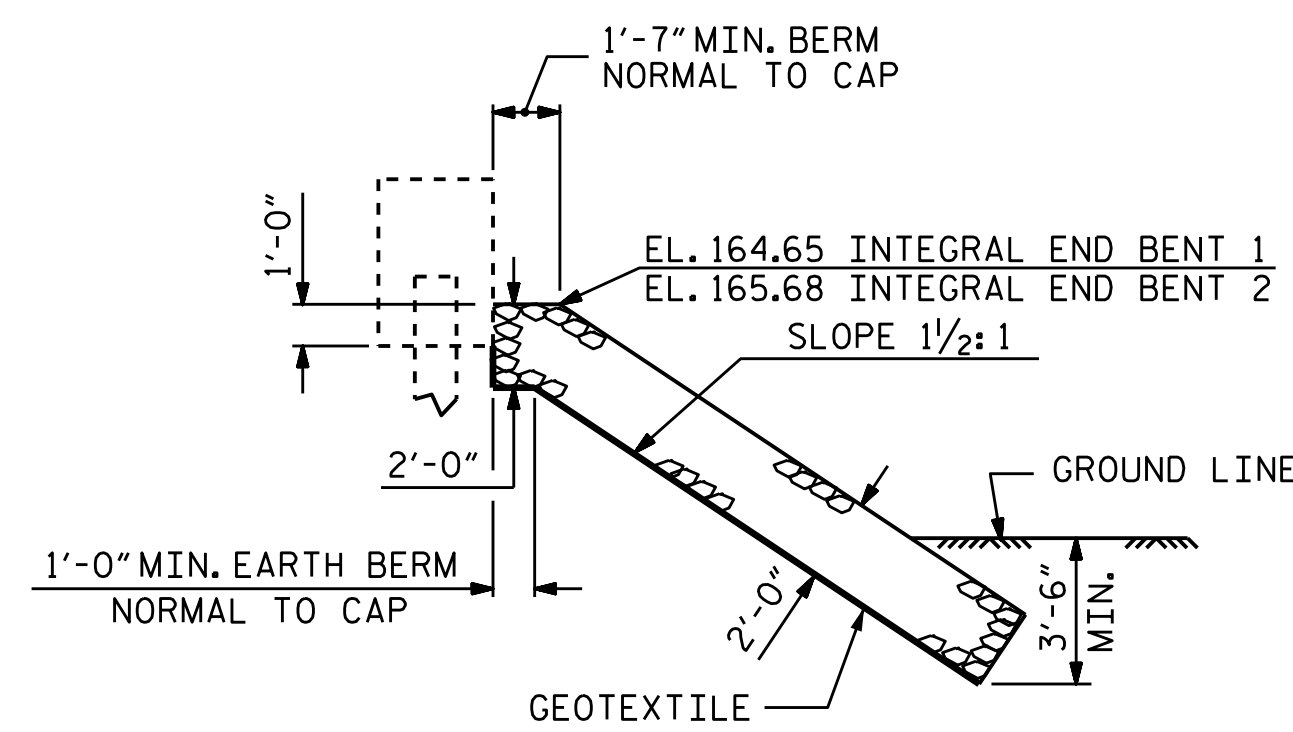
INTEGRAL END BENT 1

INTEGRAL END BENT 2

ESTIMATED QUANTITIES		
BRIDGE @ STA. 20+11.00 -L-	RIP RAP CLASS II (2'-0" THICK)	GEOTEXTILE FOR DRAINAGE
	TONS	SQUARE YARDS
INTEGRAL END BENT 1	200	220
INTEGRAL END BENT 2	210	235

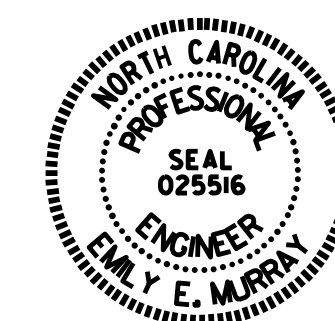


SECTION H-H



SECTION C-C

PROJECT NO. B-4761
HALIFAX COUNTY
STATION: 20+11.00 -L-



Designed by:
Emily E. Murray
4/27/2016

STATE OF NORTH CAROLINA
DEPARTMENT OF TRANSPORTATION
RALEIGH
STANDARD
= RIP RAP DETAILS =

ASSEMBLED BY : M.K. BEARD DATE : 2/22/16
CHECKED BY : D.A. DAVENPORT DATE : 2/23/16

DRAWN BY : REK 1/84 REV. 5/1/06R TLA/GM
CHECKED BY : ROU 1/84 REV. 10/1/11 MAA/GM
REV. 12/21/11 MAA/GM

DESIGN ENGINEER OF RECORD:
G. KOUCHEKI DATE : 3/14/16

DOCUMENT NOT CONSIDERED
FINAL UNLESS ALL
SIGNATURES COMPLETED

REVISIONS						SHEET NO.
NO.	BY:	DATE:	NO.	BY:	DATE:	S-30
1			3			TOTAL SHEETS 31
2			4			