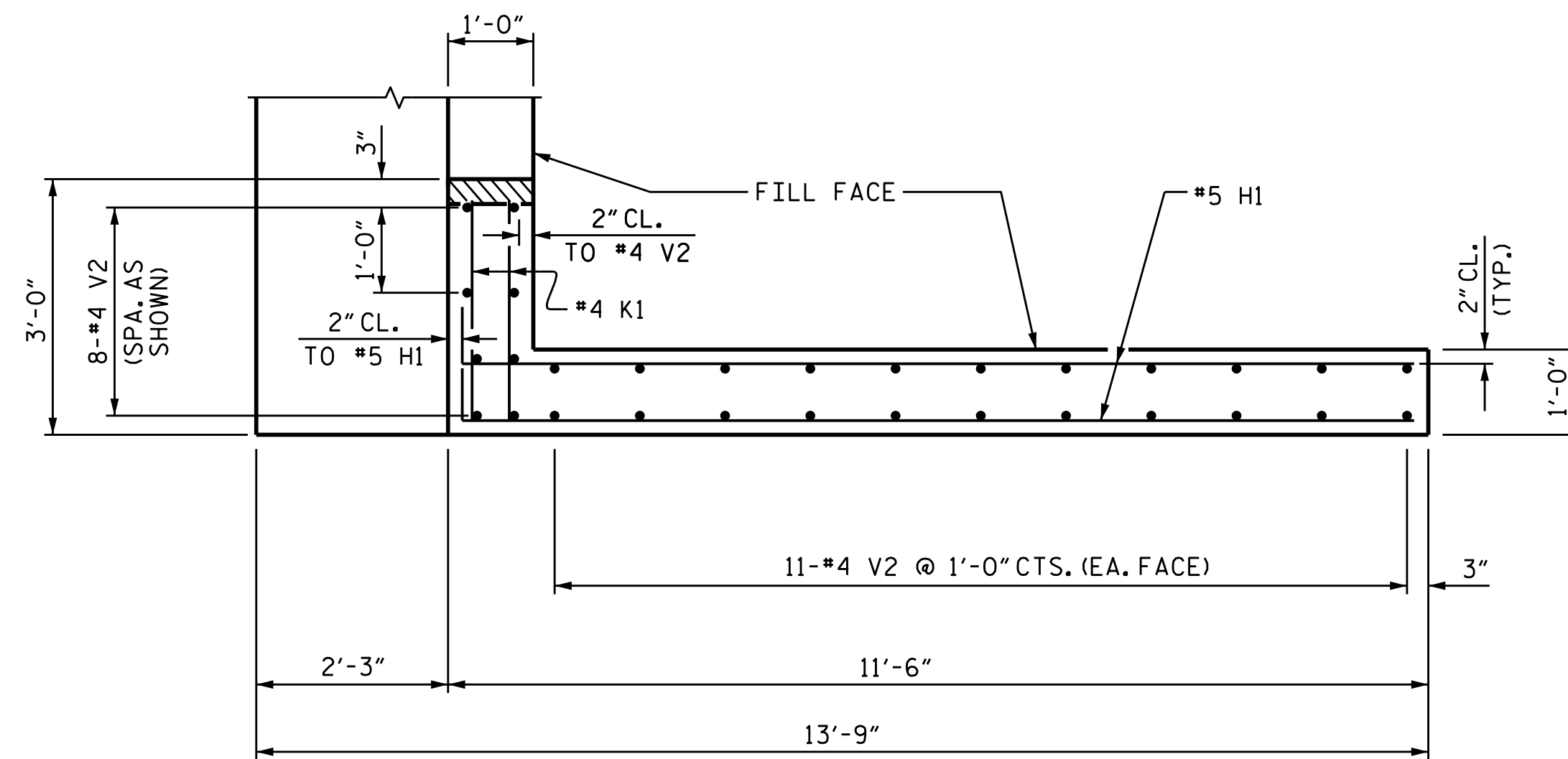
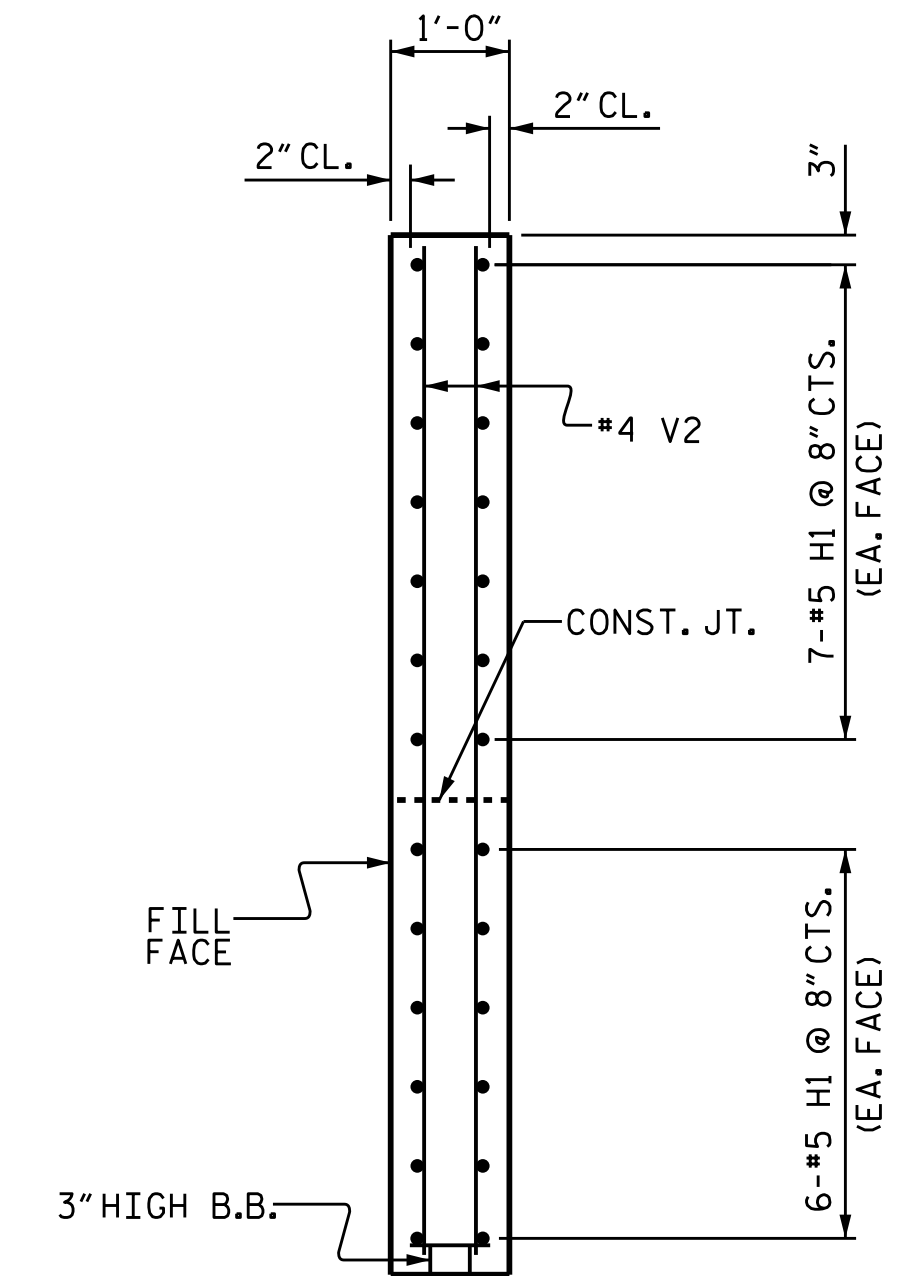


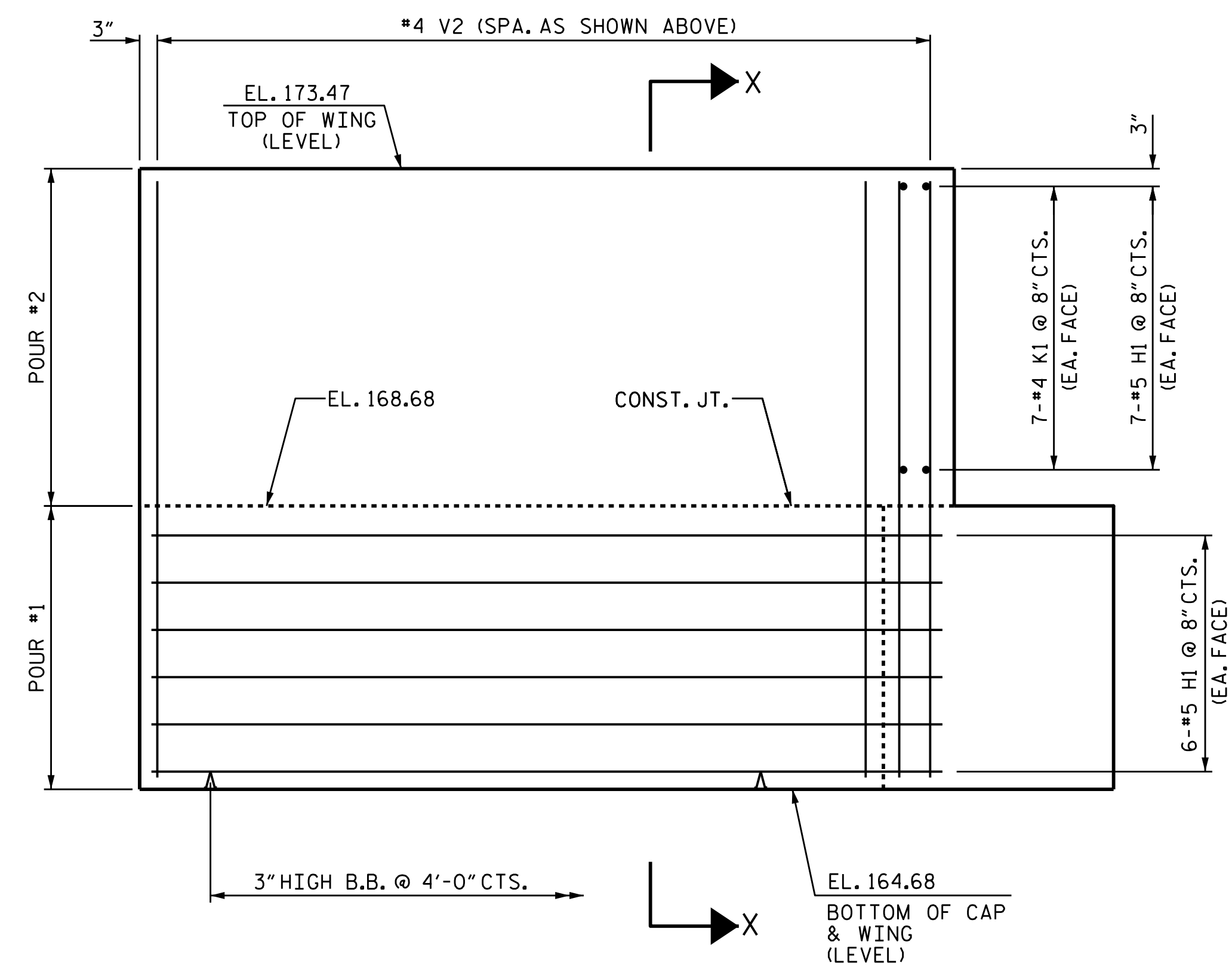
PLAN (W2)



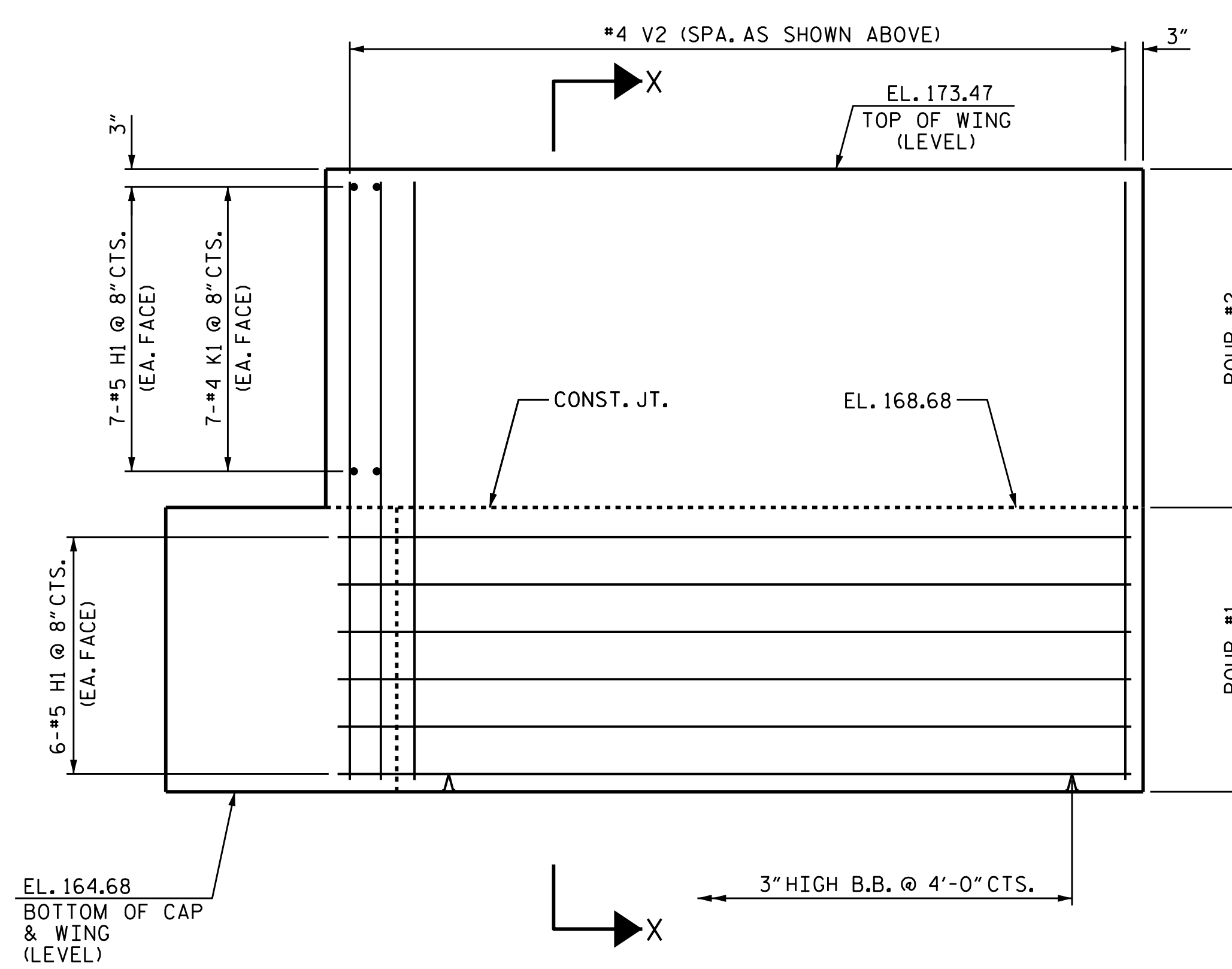
PLAN (W1)



SECTION X-X

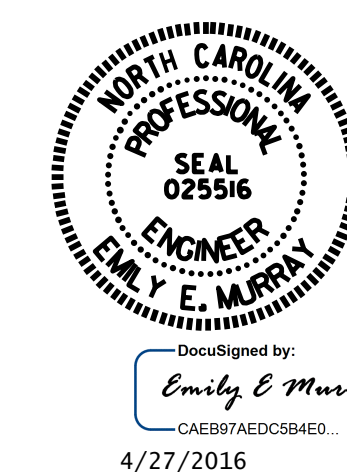


ELEVATION (W2)



ELEVATION (W1)

PROJECT NO. B-4761
HALIFAX COUNTY
 STATION: 20+11.00 -L-
 SHEET 2 OF 3



STATE OF NORTH CAROLINA
 DEPARTMENT OF TRANSPORTATION
 RALEIGH
 SUBSTRUCTURE
 INTEGRAL END BENT 2

DRAWN BY: M.D.PISO DATE: 8-04-2015
 CHECKED BY: D.G.ELY DATE: 8-25-2015
 DESIGN ENGINEER OF RECORD: G. KOUICHEKI DATE: 3/14/16

DOCUMENT NOT CONSIDERED
 FINAL UNLESS ALL
 SIGNATURES COMPLETED

| REVISIONS | | | | | | SHEET NO. |
|-----------|-----|-------|-----|-----|-------|-----------------|
| NO. | BY: | DATE: | NO. | BY: | DATE: | S-28 |
| 1 | | | 3 | | | TOTAL SHEETS 31 |
| 2 | | | 4 | | | |