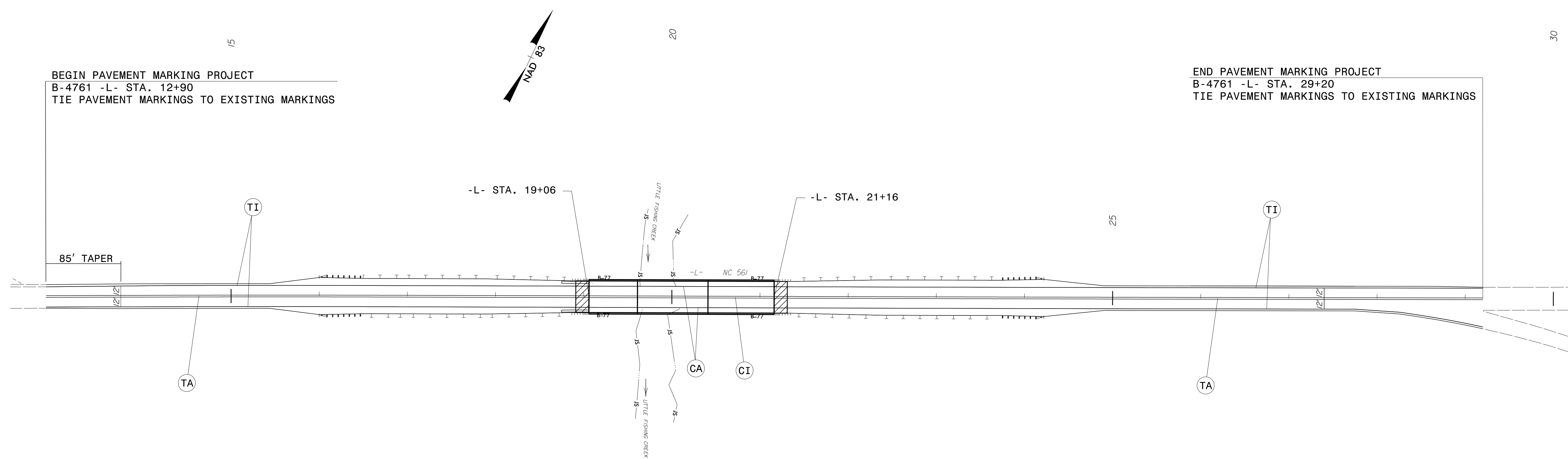


| | |
|--|--------------------|
| TIP NO. B-4761 | SHEET NO. PMP-2 |
| APPROVED: <i>Ayman Alqudwah</i> F30ACSCAF86472 | |
| DATE: 2/18/2016 | |
| SEAL | |
| | |
| DOCUMENT NOT CONSIDERED FINAL UNLESS ALL SIGNATURES COMPLETED | |



PAVEMENT MARKING DETAIL

2/18/2016
 P:\IP\Projects-B\B4761\Traffic\Signing\CADD\PM\B4761.pmp.psh.s02.dgn
 User:rtward