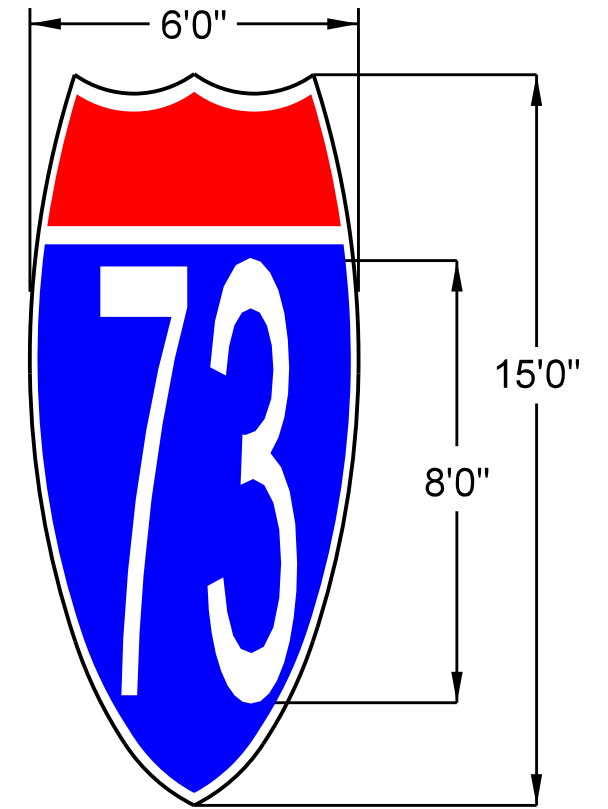
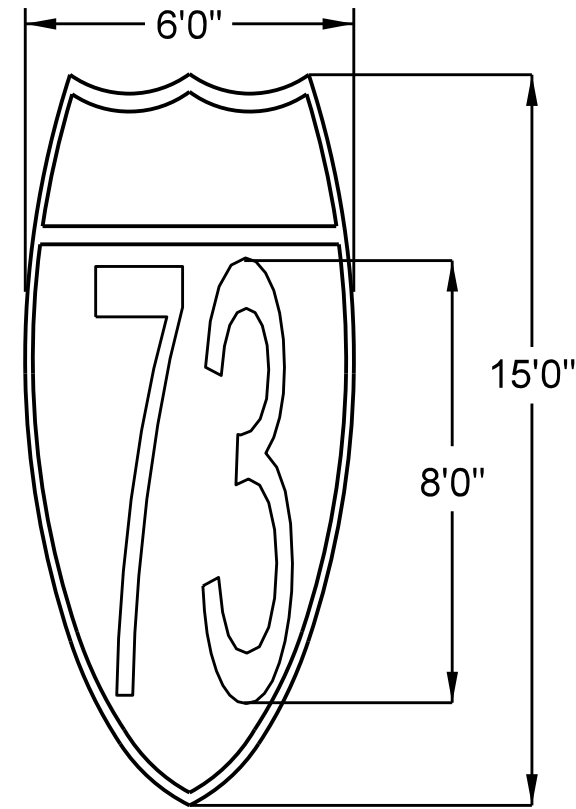
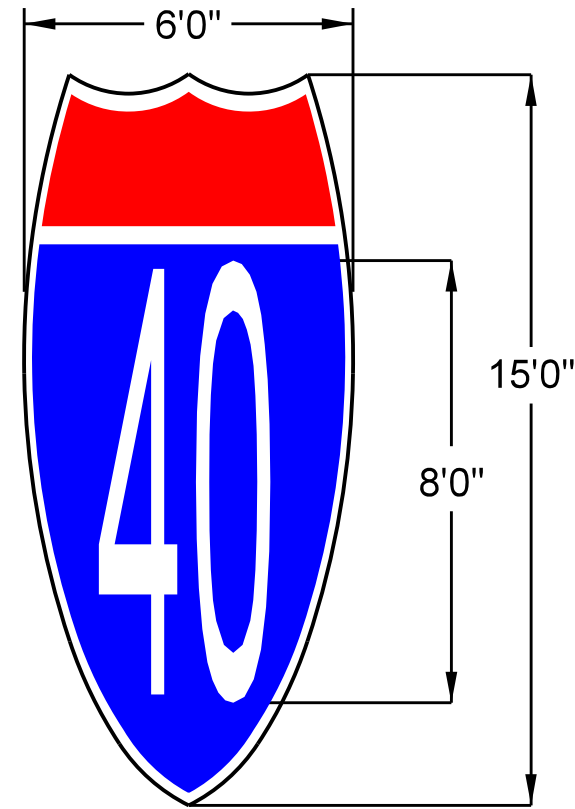
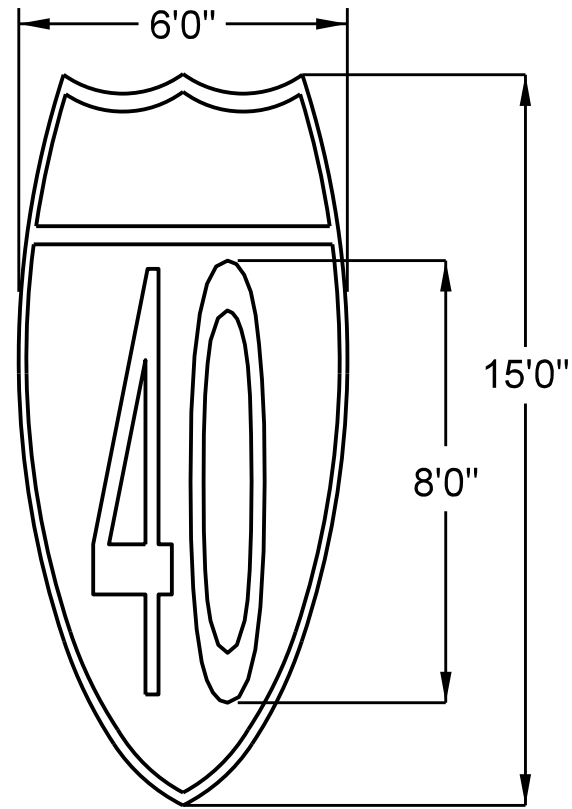


STATE	PROJECT NO.	SHEET NO.	TOTAL SHEETS
N.C.	I-5734 & I-5762	10	

NOTE:  
Contact Traffic Services prior to installation of shields.



11/15/11 10:58 AM