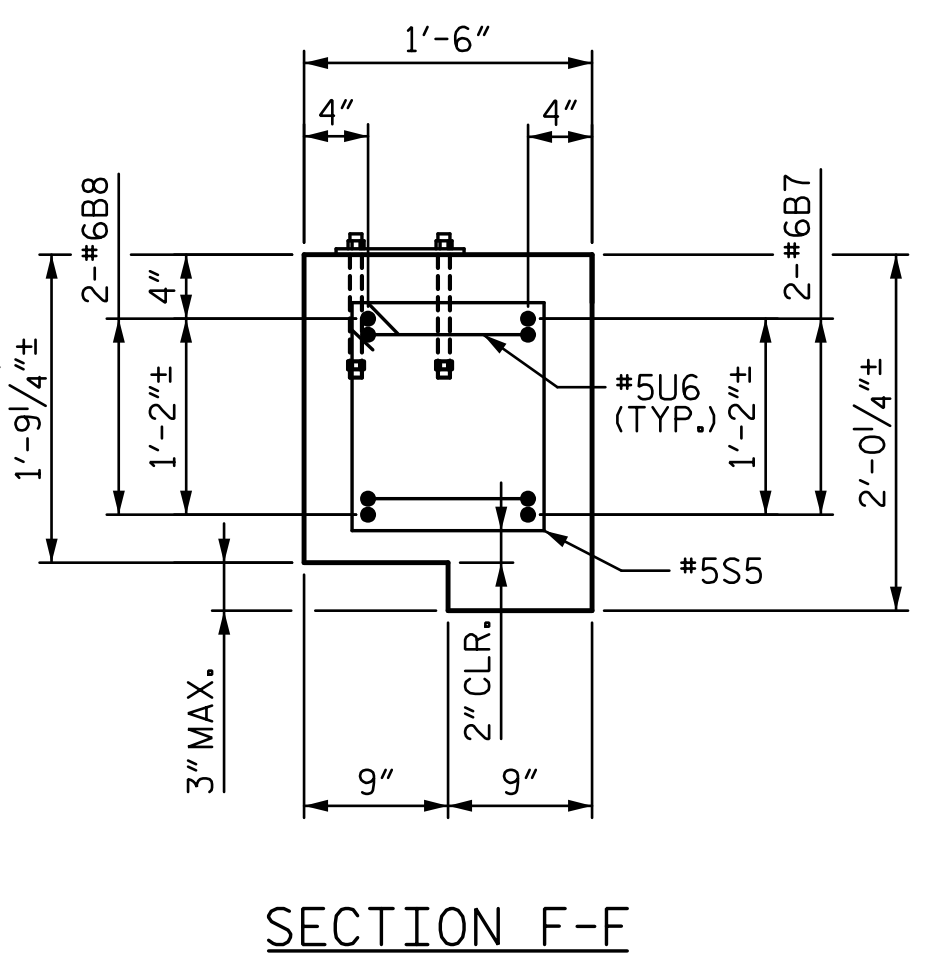
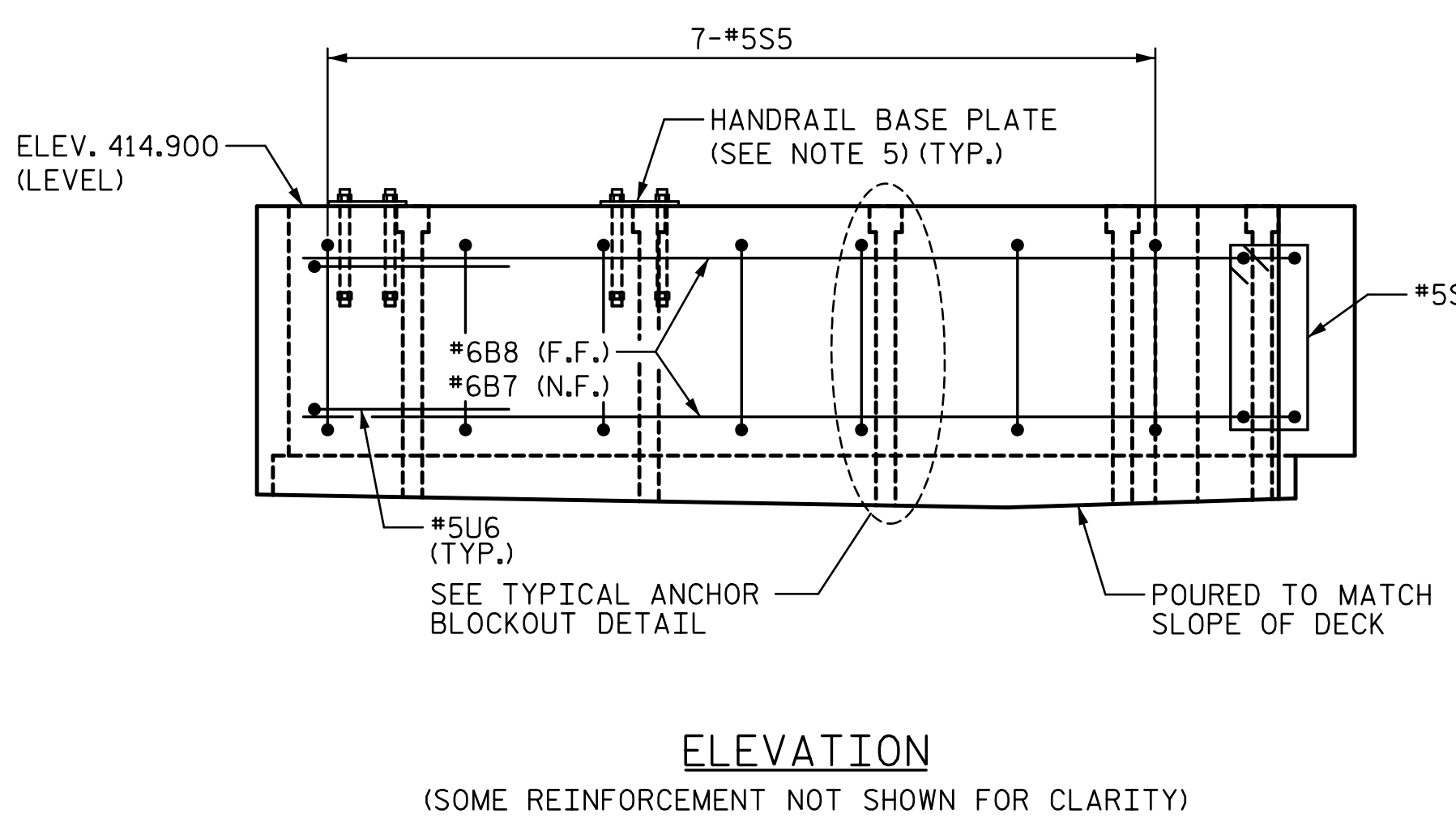
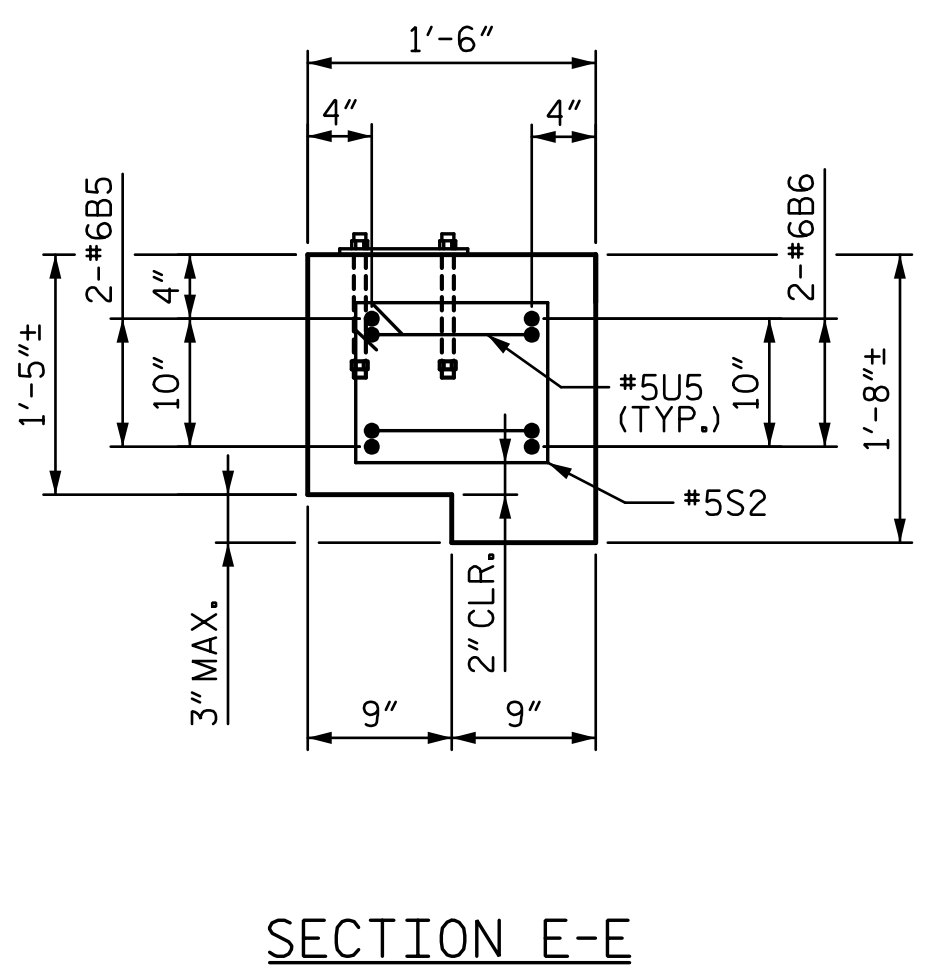
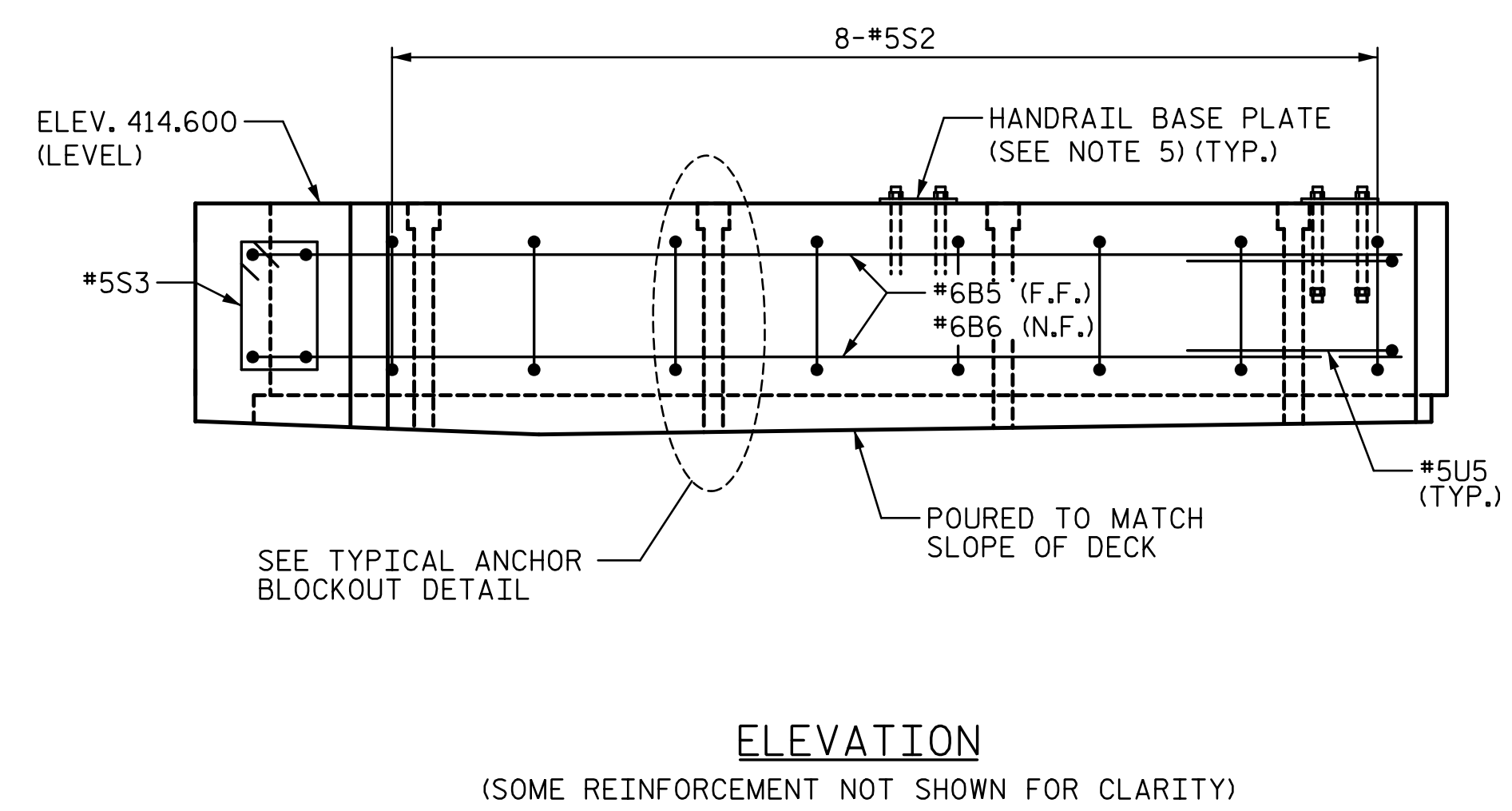
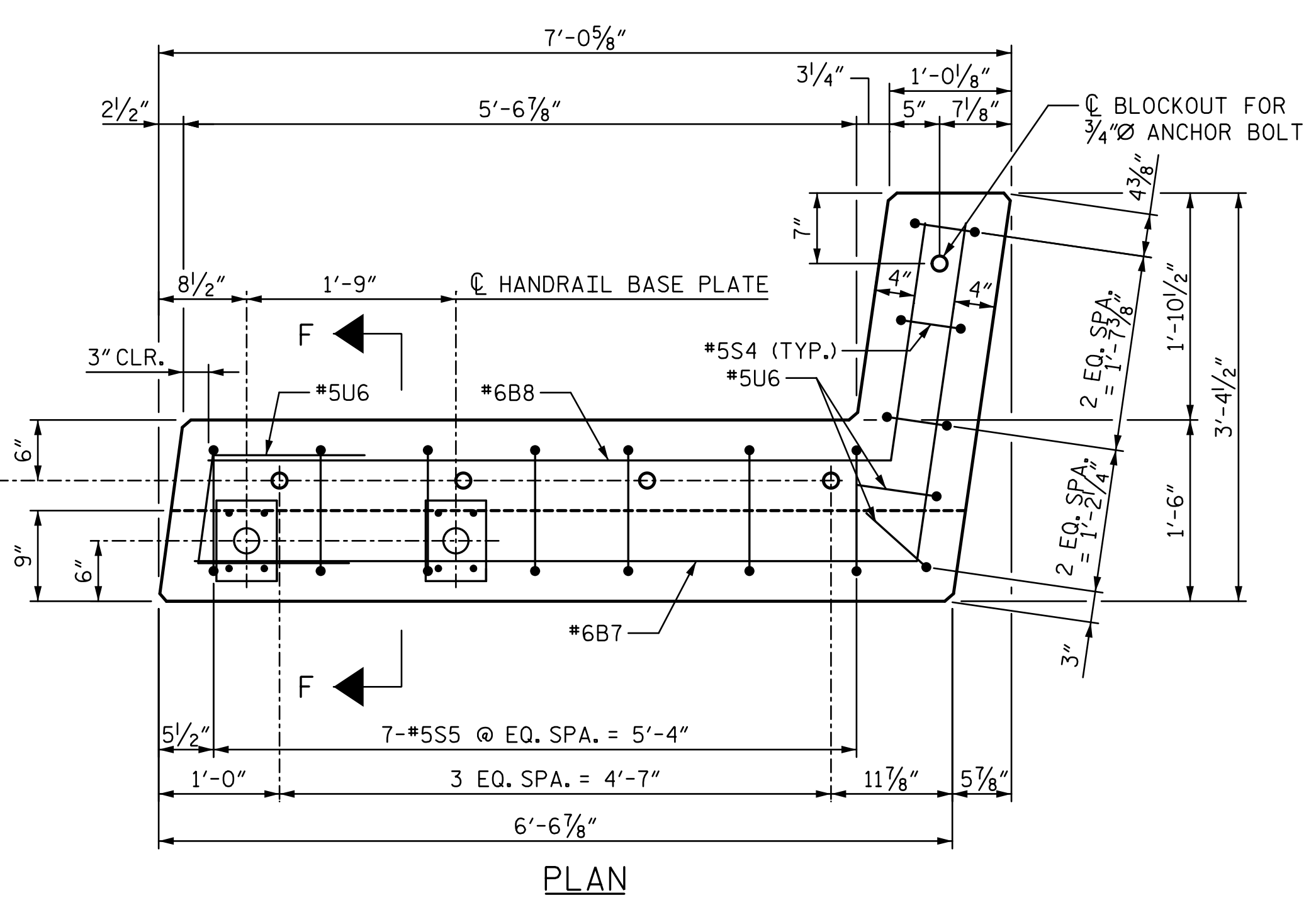
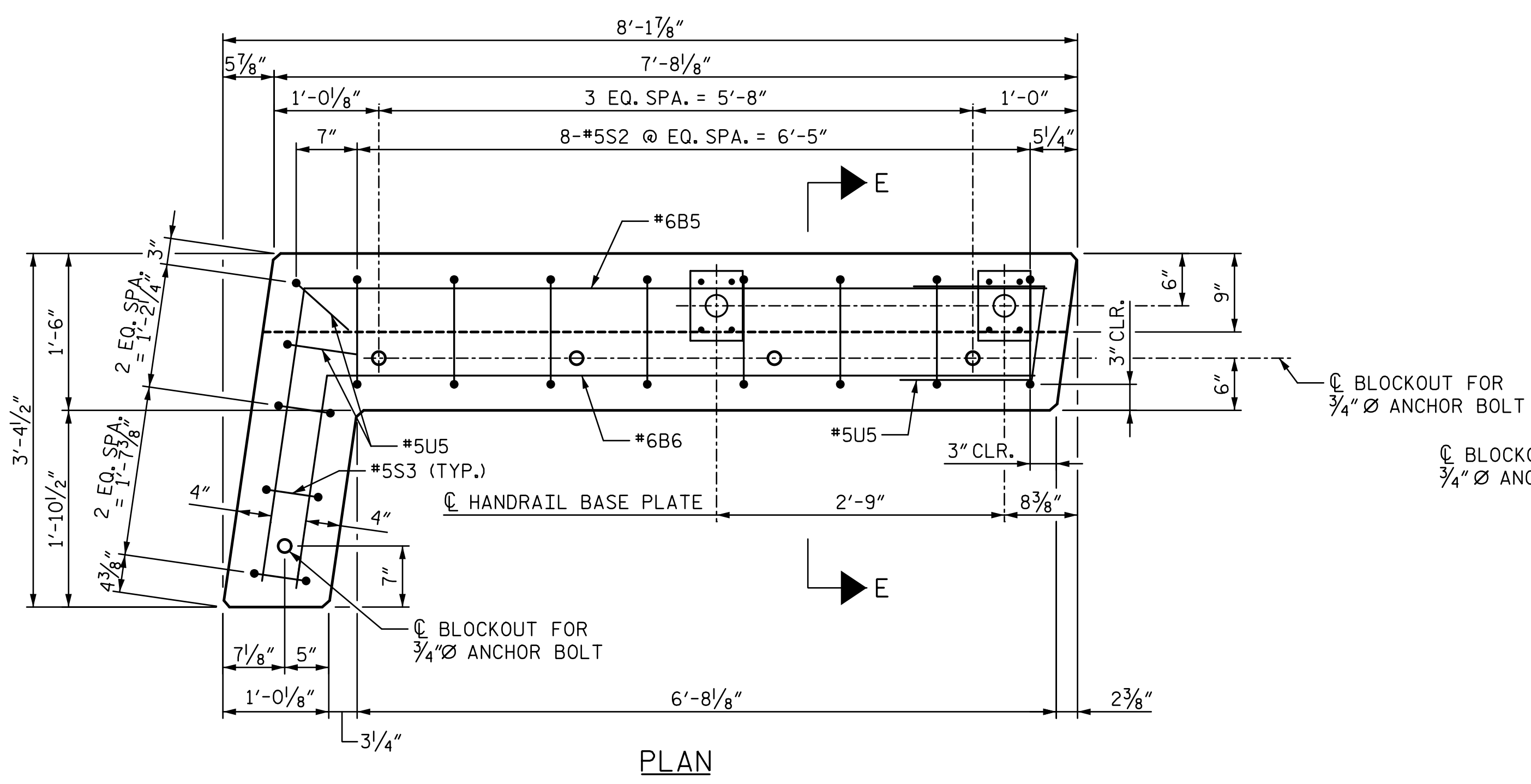
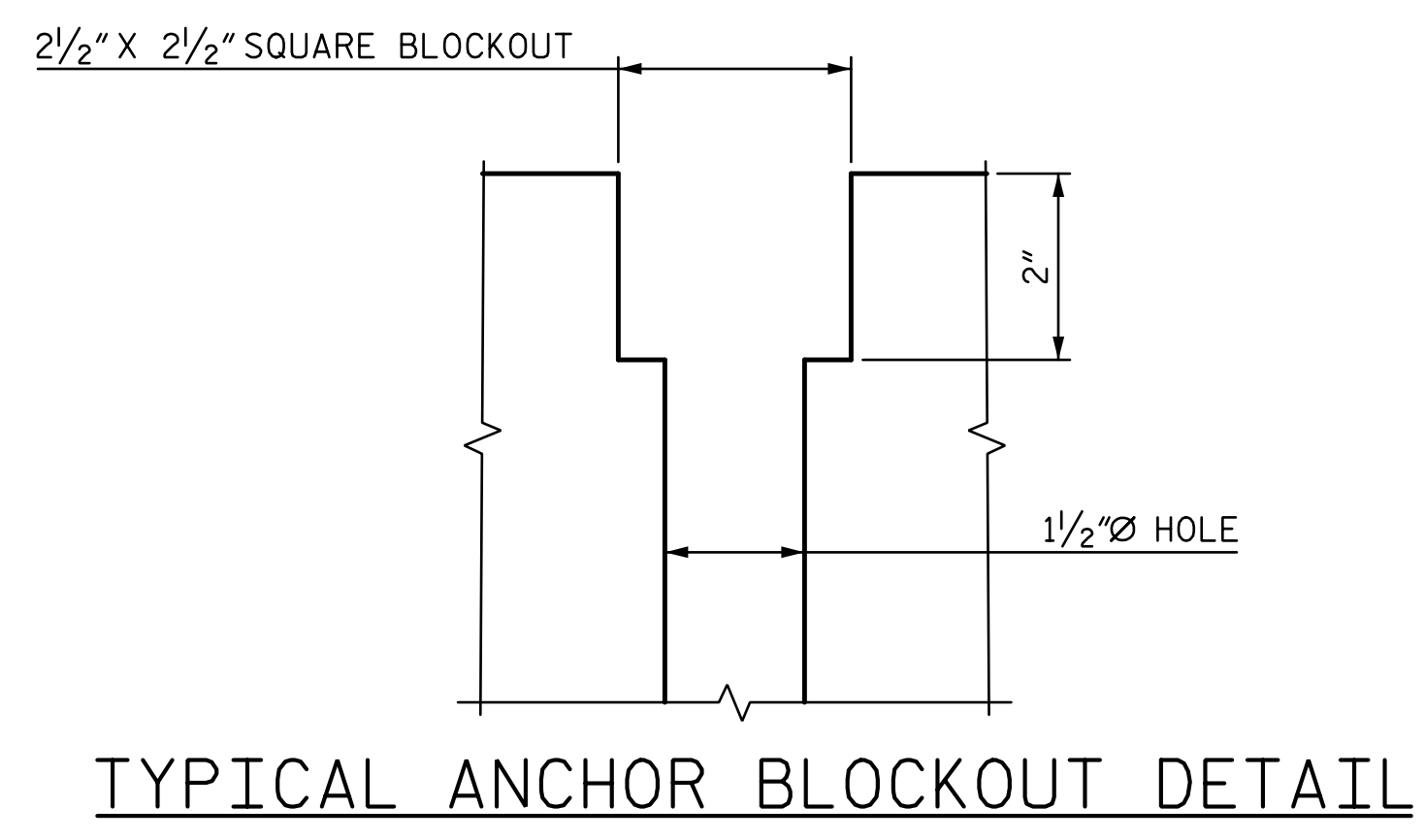


I:\PROJ\251325\ustation\struc\Temporary Span\404_060_U3308_SMU_T509.dgn
 4/29/2016 12:32:53 PM
 pKelly



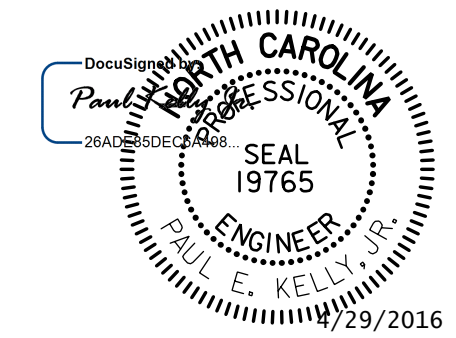
CONCRETE BALLAST CURB MK. C4

CONCRETE BALLAST CURB MK. C5



NOTES:

- ALL BLOCKOUT HOLES PASS THROUGH FULL DEPTH OF PEDESTAL OR BALLAST CURB.
- PREFORMED 1/2" Ø HOLES FOR ANCHOR BOLTS SHALL BE FORMED WITH PERMANENT CORRUGATED METAL DUCTS MADE FROM 26 GAUGE STRIP STEEL CONFORMING TO ASTM A 65M, G90 COATING WEIGHT, OR APPROVED EQUAL.
- SEE SHEET TITLED "TEMPORARY CONCRETE PEDESTAL AND BALLAST RETAINER (4 OF 4) FOR ANCHOR BOLT DETAIL.
- CONTRACTOR MAY ADJUST REINFORCEMENT SLIGHTLY AS NECESSARY TO AVOID BLOCKOUTS AND HANDRAIL BASE PLATE/ANCHOR BOLTS.
- ANCHOR RODS FOR BASE PLATE SHALL BE CAST-IN-PLACE WITH THE BALLAST CURB. FOR BASE PLATE AND ANCHOR RODS DETAILS, SEE SHEET TITLED "HANDRAIL DETAILS".
- FOR HANDRAIL DETAILS, SEE SHEETS TITLED "TEMPORARY CONCRETE PEDESTAL AND BALLAST RETAINER (1 OF 4)" AND "HANDRAIL DETAILS".
- CHAMFER EDGES 3/4" X 3/4".
- 3" COVER U.N.O.
- FOR ADDITIONAL NOTES, SEE SHEET TITLED "TEMPORARY CONCRETE PEDESTAL AND BALLAST RETAINER (1 OF 4)".



PROJECT NO. U-3308
 DURHAM COUNTY
 STATION: 24+55.20 -LALT-
13+22.18 -CSXN-
 SHEET 9 OF 16

STATE OF NORTH CAROLINA
 DEPARTMENT OF TRANSPORTATION
 RALEIGH
**TEMPORARY CONCRETE
 PEDESTAL AND BALLAST
 RETAINER (3 OF 4)**

DRAWN BY : MTC DATE : 06-14
 CHECKED BY : DJM DATE : 06-14

DOCUMENT NOT CONSIDERED FINAL UNLESS ALL SIGNATURES COMPLETED

STV / Ralph Whitehead Associates, Inc.
 900 W Trade Street, Suite 715
 Charlotte, NC 28202
 NC License No. F-0991

REVISIONS				SHEET NO.	
NO.	BY:	DATE:	NO.	BY:	DATE:
1			3		
2			4		

TOTAL SHEETS: 68