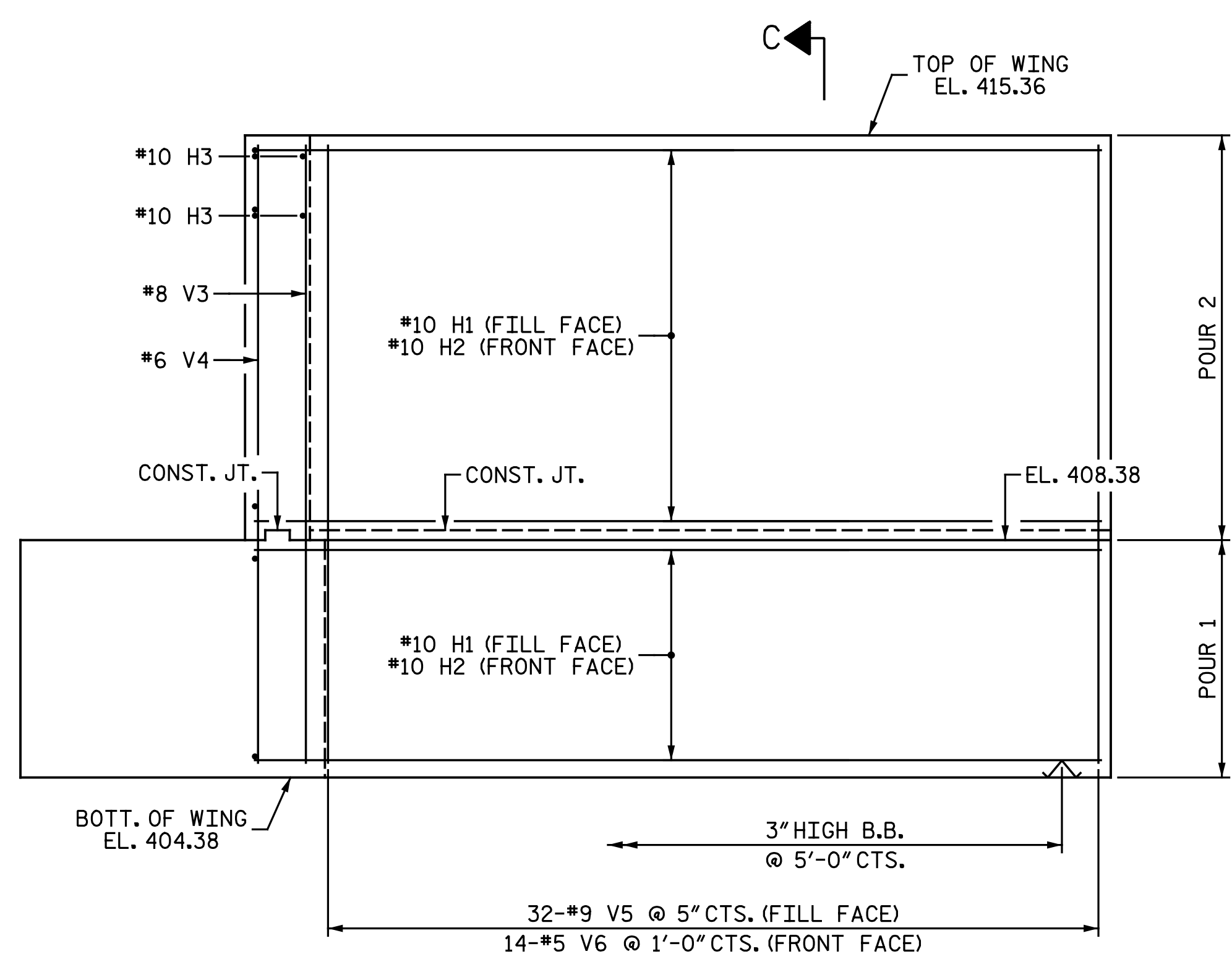
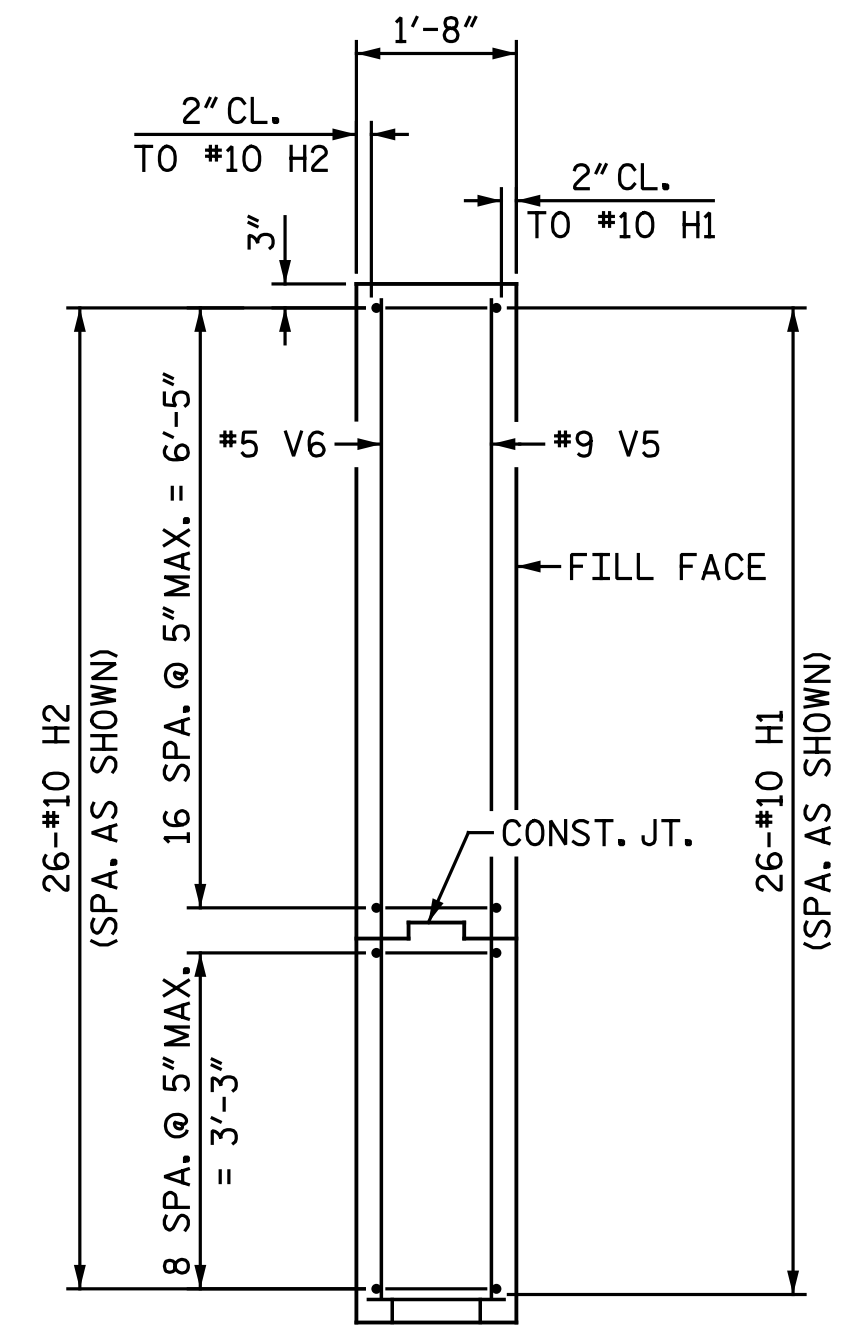


PLAN OF WING WALL (W1)

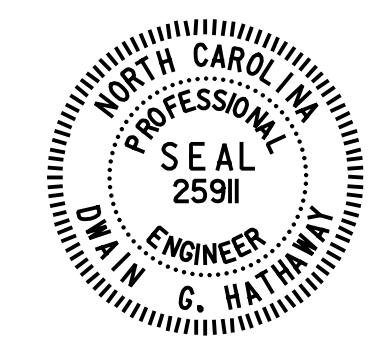


ELEVATION OF WING WALL (W1)



SECTION C-C

PROJECT NO. U-3308  
 DURHAM COUNTY  
 STATION: 24+55.20 -LALT-  
 13+22.18 -CSXN-  
 SHEET 2 OF 4



5/3/2016

**Michael Baker**  
 INTERNATIONAL

Michael Baker Engineering  
 8000 Regency Parkway, Suite 600  
 Cary, North Carolina 27618  
 NC License No.: F-1084

STATE OF NORTH CAROLINA  
 DEPARTMENT OF TRANSPORTATION  
 RALEIGH  
 SUBSTRUCTURE  
 ABUTMENT I

REVISIONS						SHEET NO.
NO.	BY:	DATE:	NO.	BY:	DATE:	S4-29
1			3			TOTAL SHEETS
2			4			68

cmayhew 5/3/2016 9:37:14 AM  
 File name: Y:\Projects\NCDOT\U-3308\Structures\Drawings\Final\404\_029\_U3308\_SML-AB102.dgn

DRAWN BY: M. D. MAYHEW DATE: 3-6-14  
 CHECKED BY: S. A. DENNEY DATE: 3-11-14