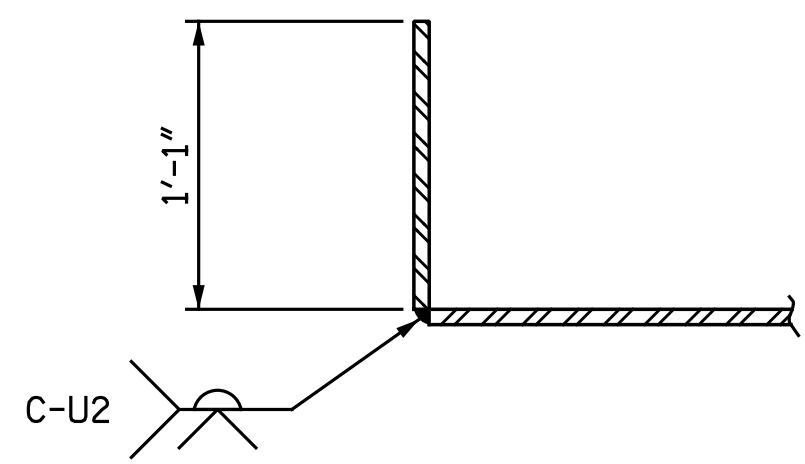
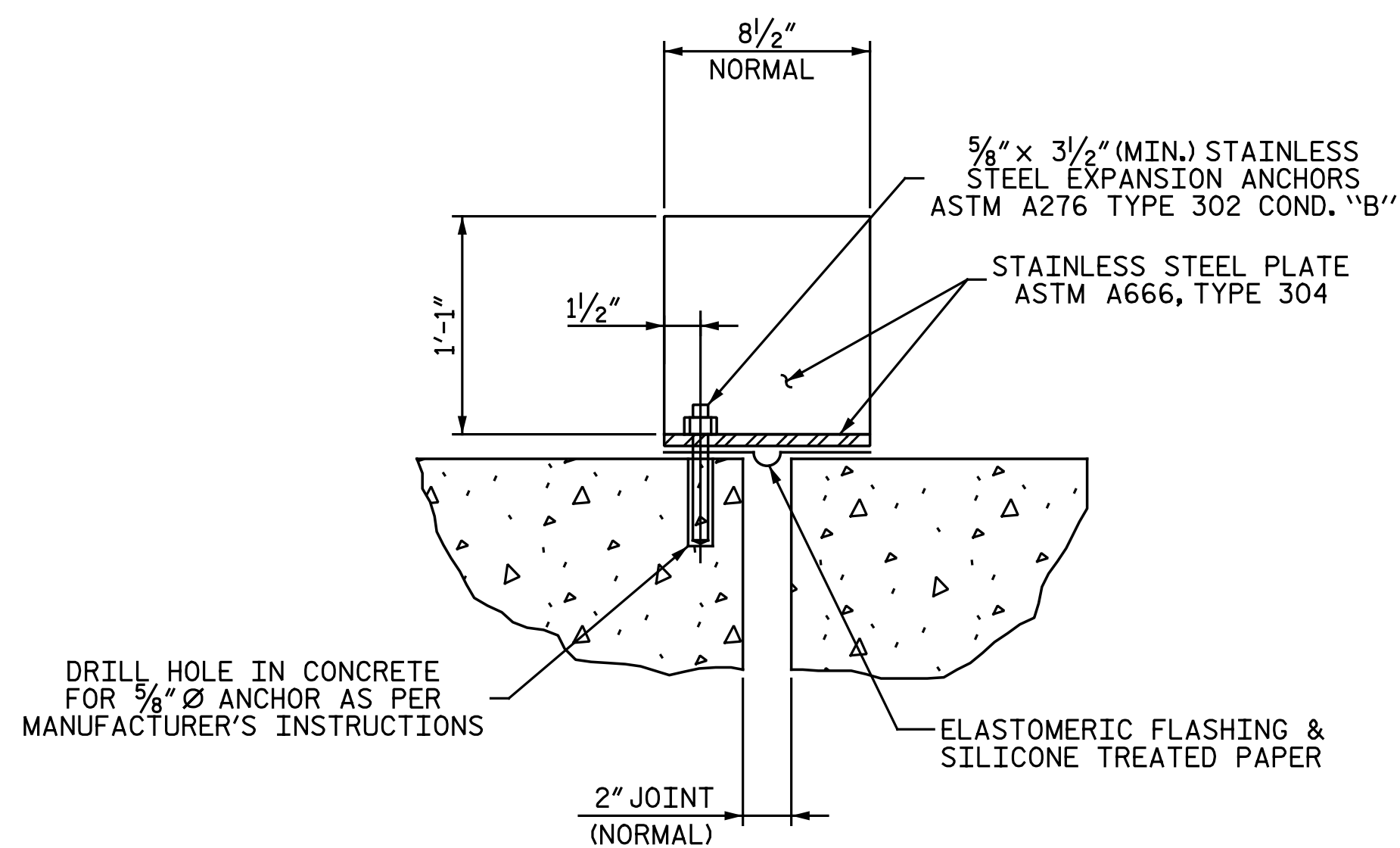


EXPANSION PLATE PLAN



SECTION A-A



SECTION B-B

PROJECT NO. U-3308
DURHAM COUNTY
 STATION: 24+55.20 -LALT-
13+22.18 -CSXN-



Designed by
 Dwan Hathaway
 20237807 (EXPIRES)

5/3/2016

STATE OF NORTH CAROLINA
 DEPARTMENT OF TRANSPORTATION
 RALEIGH

EXPANSION PLATE
 DETAILS

DRAWN BY : M. D. MAYHEW DATE : 1-7-14
 CHECKED BY : S. A. DENNEY DATE : 3-4-14

Michael Baker
 INTERNATIONAL

Michael Baker Engineering
 8000 Regency Parkway, Suite 600
 Cary, North Carolina 27618
 NC License No. : F-1084

REVISIONS						SHEET NO.
NO.	BY:	DATE:	NO.	BY:	DATE:	S4-24
1			3			TOTAL SHEETS
2			4			68