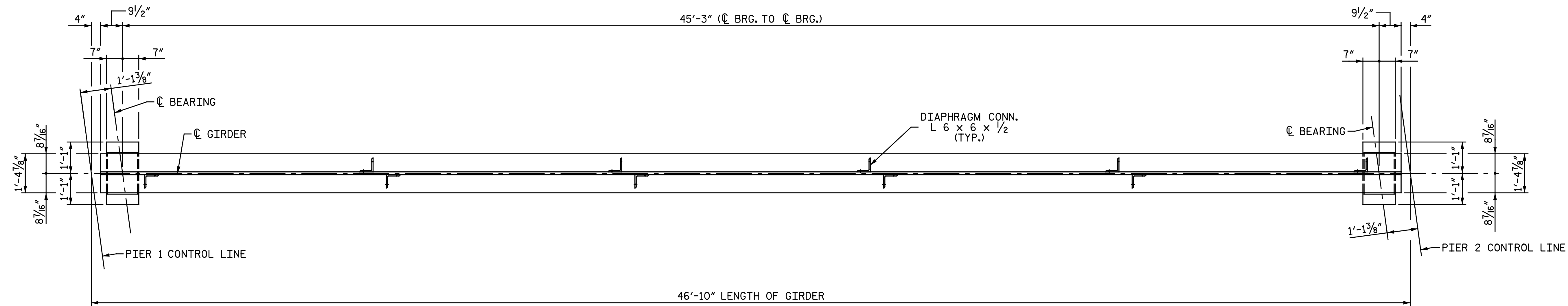
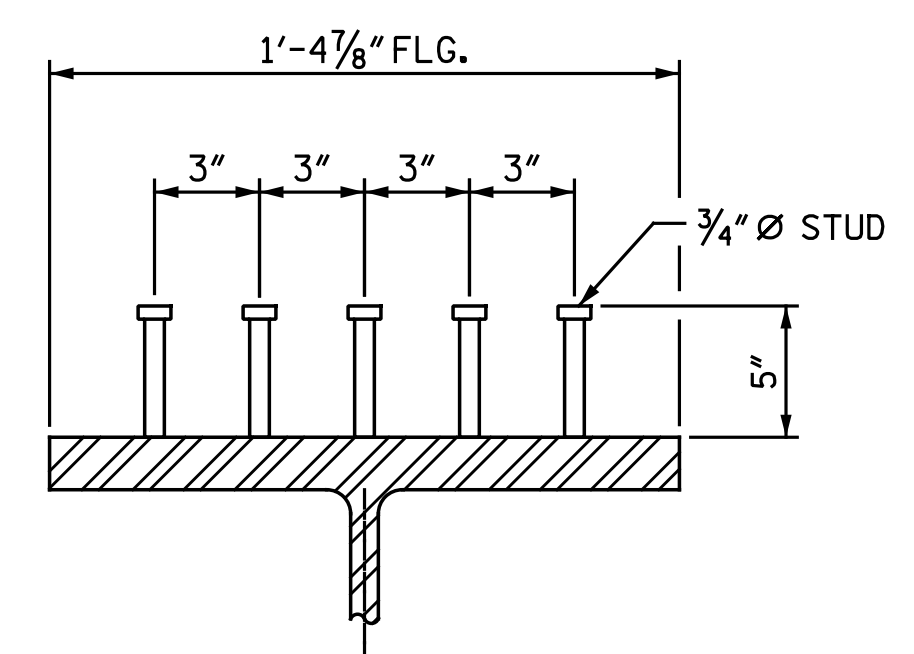


GIRDER ELEVATION - SPAN B
(INTERIOR GIRDER SHOWN, OTHERS SIMILAR)

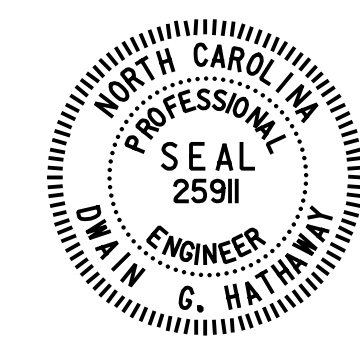


BOTTOM FLANGE DETAIL - SPAN B
(INTERIOR GIRDER SHOWN, OTHERS SIMILAR)
DIAPHRAGM CONNECTORS SHALL NOT BE PLACED ON OUTSIDE OF EXTERIOR GIRDERS.



SHEAR STUD DETAIL

PROJECT NO. U-3308
DURHAM COUNTY
 STATION: 24+55.20 -LALT-
13+22.18 -CSXN-
 SHEET 2 OF 4



Designed by
Dwain Holloway
 20237807 (EXPIRES)

5/3/2016

Michael Baker
 INTERNATIONAL

Michael Baker Engineering
 8000 Regency Parkway, Suite 600
 Cary, North Carolina 27615
 NC License No.: F-1084

STATE OF NORTH CAROLINA
 DEPARTMENT OF TRANSPORTATION
 RALEIGH
 SUPERSTRUCTURE
 GIRDER DETAILS
 SPAN B

REVISIONS						SHEET NO.
NO.	BY:	DATE:	NO.	BY:	DATE:	S4-19
1			3			TOTAL SHEETS
2			4			68

cmayhew 5/3/2016 9:37:07 AM
 File Name: Y:\Projects\NCDOT\U-3308\Structures\Drawings\Final\404_019_U3308_SML_G02.dgn

DRAWN BY : C. E. MAYHEW DATE : 3-13-13
 CHECKED BY : S. A. DENNEY DATE : 2-27-14