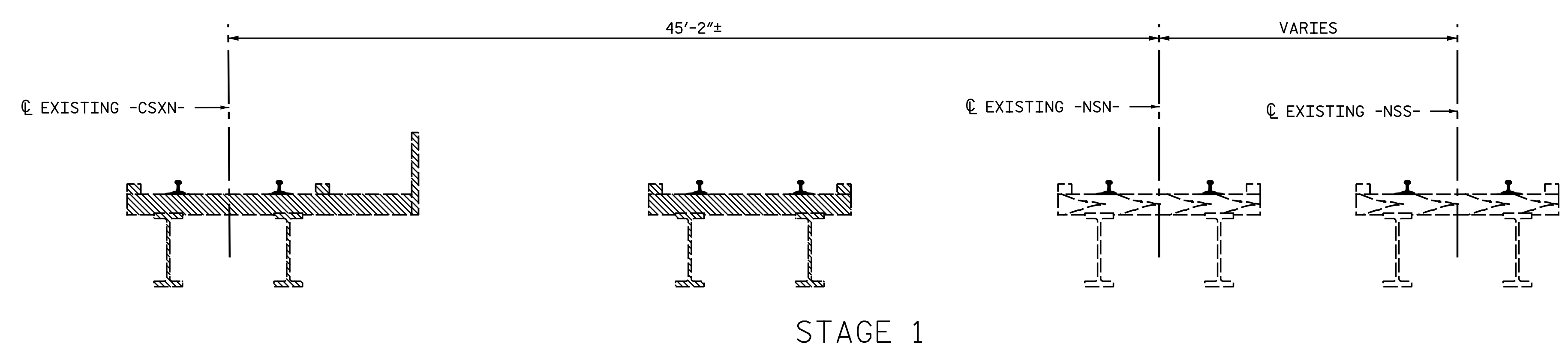
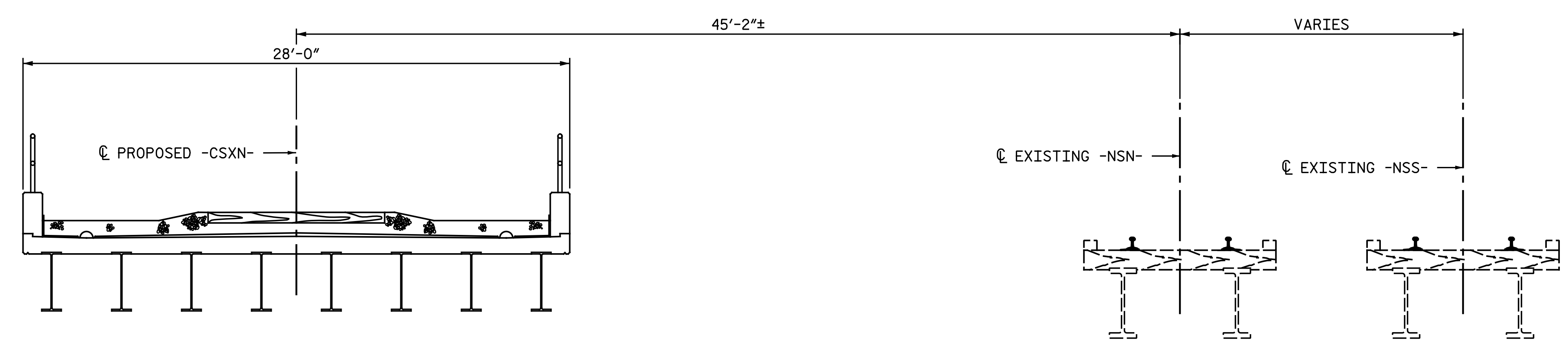


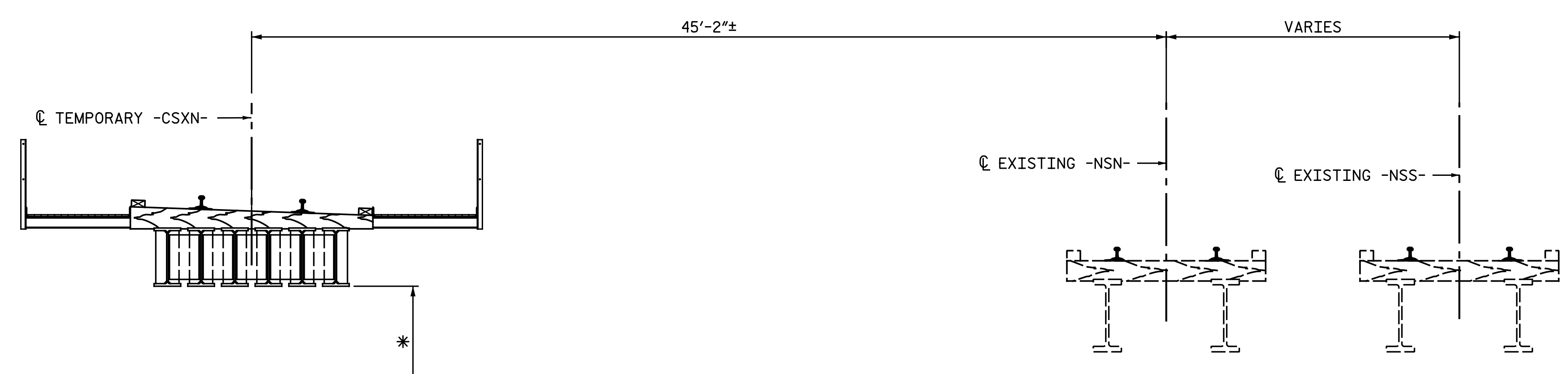
EXISTING



STAGE 1



STAGE 2 (SPANS A, B, & D)



STAGE 2 (SPAN C)

RAIL TRAFFIC STAGING:

STAGE 1
REMOVE EXISTING -CSXN- BRIDGE AND EXISTING ABANDONED BRIDGE.

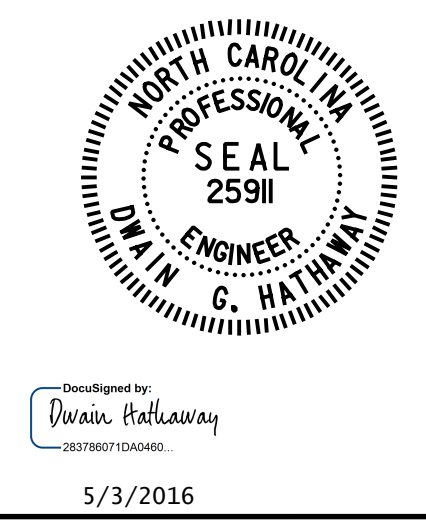
STAGE 2 (SPANS A, B, & D)
INSTALL SHORING 1 NEAR EXISTING -NSN- BRIDGE TO FACILITATE CONSTRUCTION OF PROPOSED -CSXN- BRIDGE. SEE TEMPORARY SHORING OF THE -NSN-/-NSS- BRIDGE PLANS FOR LOCATION OF SHORING 1.

(ADDITIONAL SHORING MAY BE REQUIRED AT PROPOSED PIER 2 TO PROTECT EXISTING ALSTON AVE. AND FOR PROPOSED -NSN-/-NSS- AND -CSXN- BRIDGE CONSTRUCTION.)
CONSTRUCT PROPOSED -CSXN- BRIDGE SPANS A, B, AND D.

STAGE 2 (SPAN C)
CONSTRUCT PROPOSED TEMPORARY SPAN C OF PROPOSED -CSXN- BRIDGE.

* TEMPORARY MINIMUM VERTICAL CLEARANCE TO EXISTING ALSTON AVE. = 14'-5"

PROJECT NO. U-3308
DURHAM COUNTY
STATION: 24+55.20 -LALT-
13+22.18 -CSXN-
SHEET 1 OF 2



5/3/2016

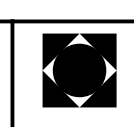
Michael Baker INTERNATIONAL

Michael Baker Engineering
8000 Regency Parkway, Suite 600
Cary, North Carolina 27618
NC License No.: F-1084

STATE OF NORTH CAROLINA
DEPARTMENT OF TRANSPORTATION
RALEIGH
CONSTRUCTION STAGING

REVISIONS						SHEET NO.
NO.	BY:	DATE:	NO.	BY:	DATE:	S4-7
1			3			TOTAL SHEETS
2			4			68

cmayhew 5/3/2016 9:37:00 AM
 File name: Y:\Projects\NCDOT\U-3308\Structures\Drawings\Final\404_007_U3308_SMU_PC01.dgn

DRAWN BY : J. N. AUSTIN DATE : 8-23-12
 CHECKED BY : S. A. DENNEY DATE : 8-24-12
 **STV / Ralph Whitehead Associates, Inc.**
 1000 West Morehead St., Ste. 200
 Charlotte, NC 28208
 NC License No. F-0991