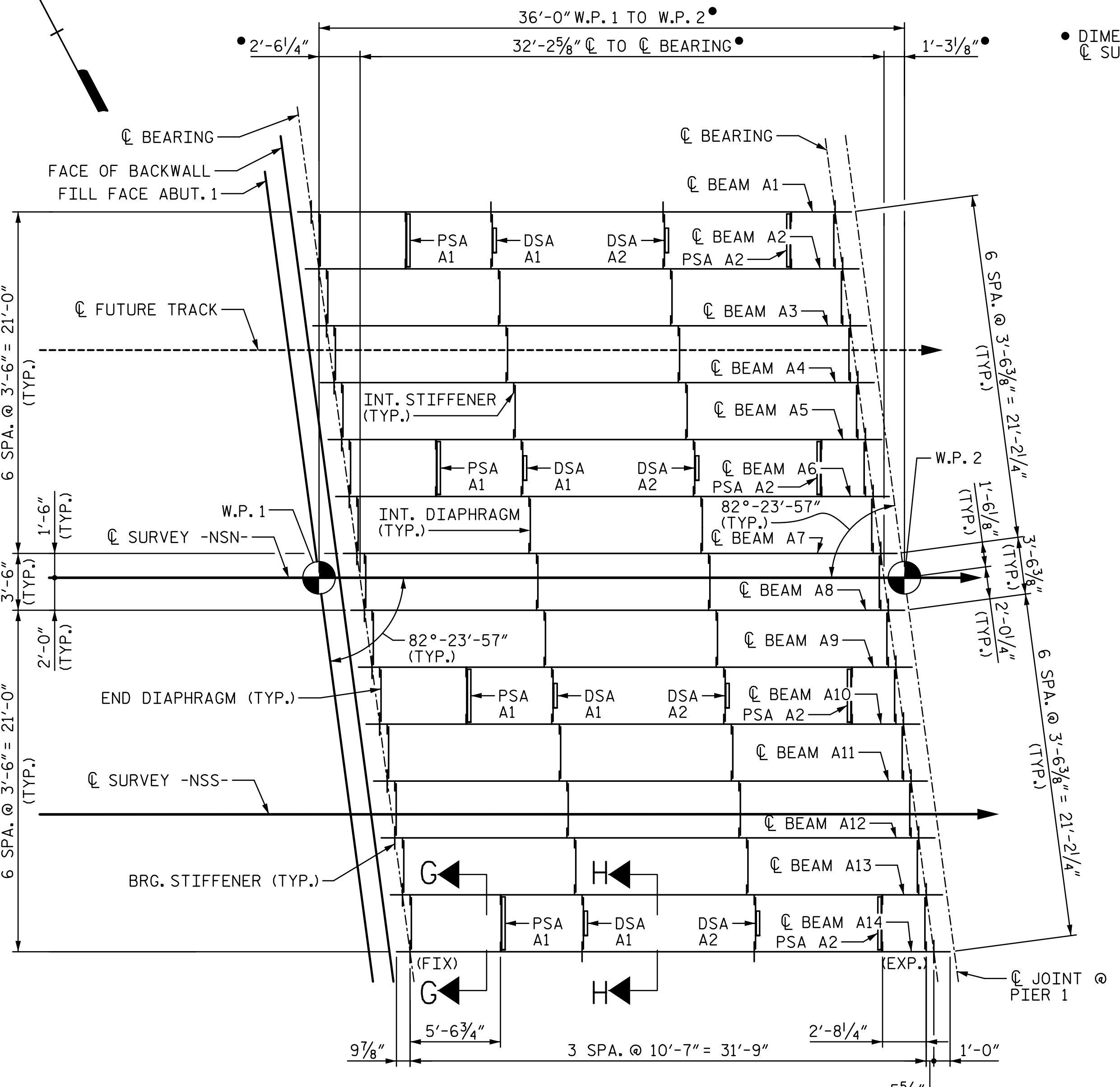
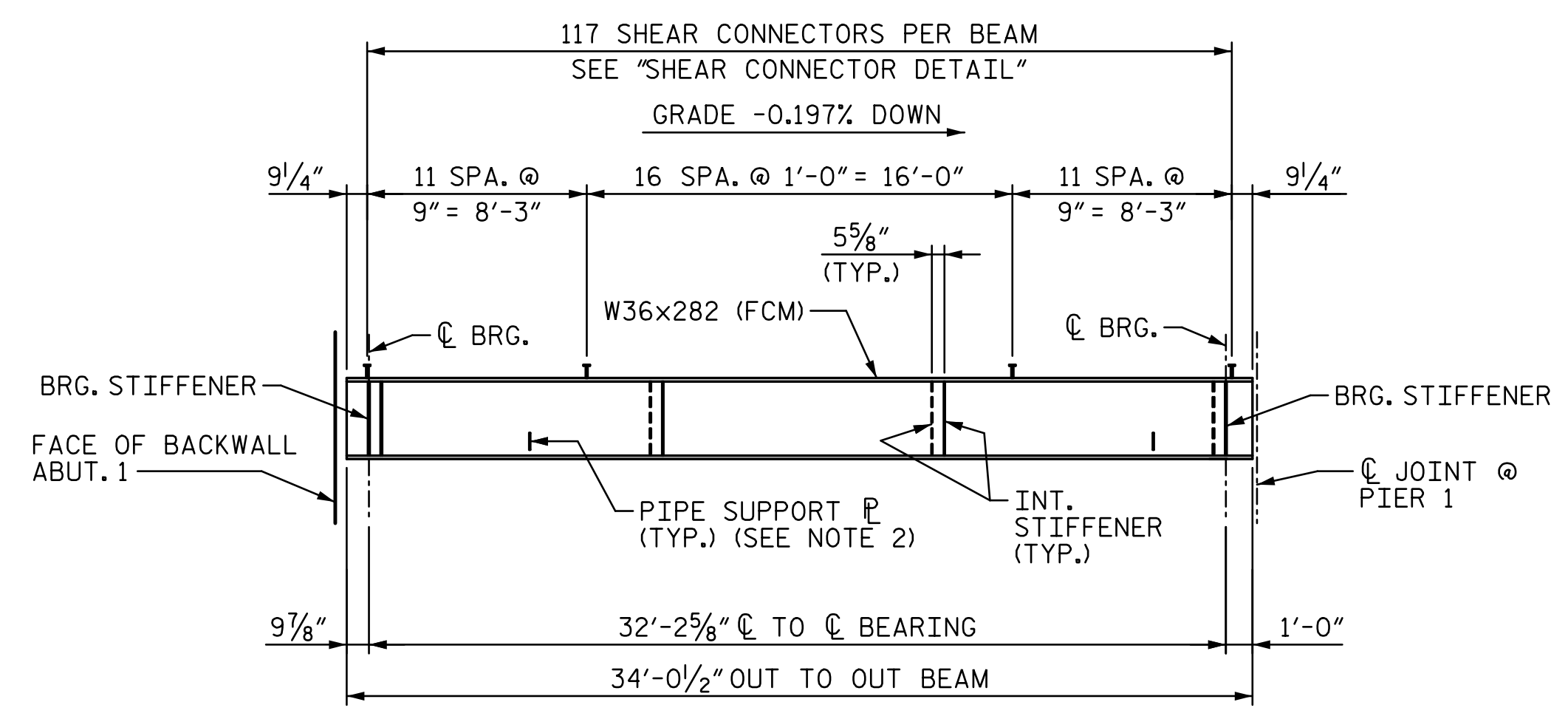


I:\PROJ\251325\ustation\struct\Final\403_018_U3308_SMU_FPGD01.dgn 3/30/2015 4:40:16 PM olveyac

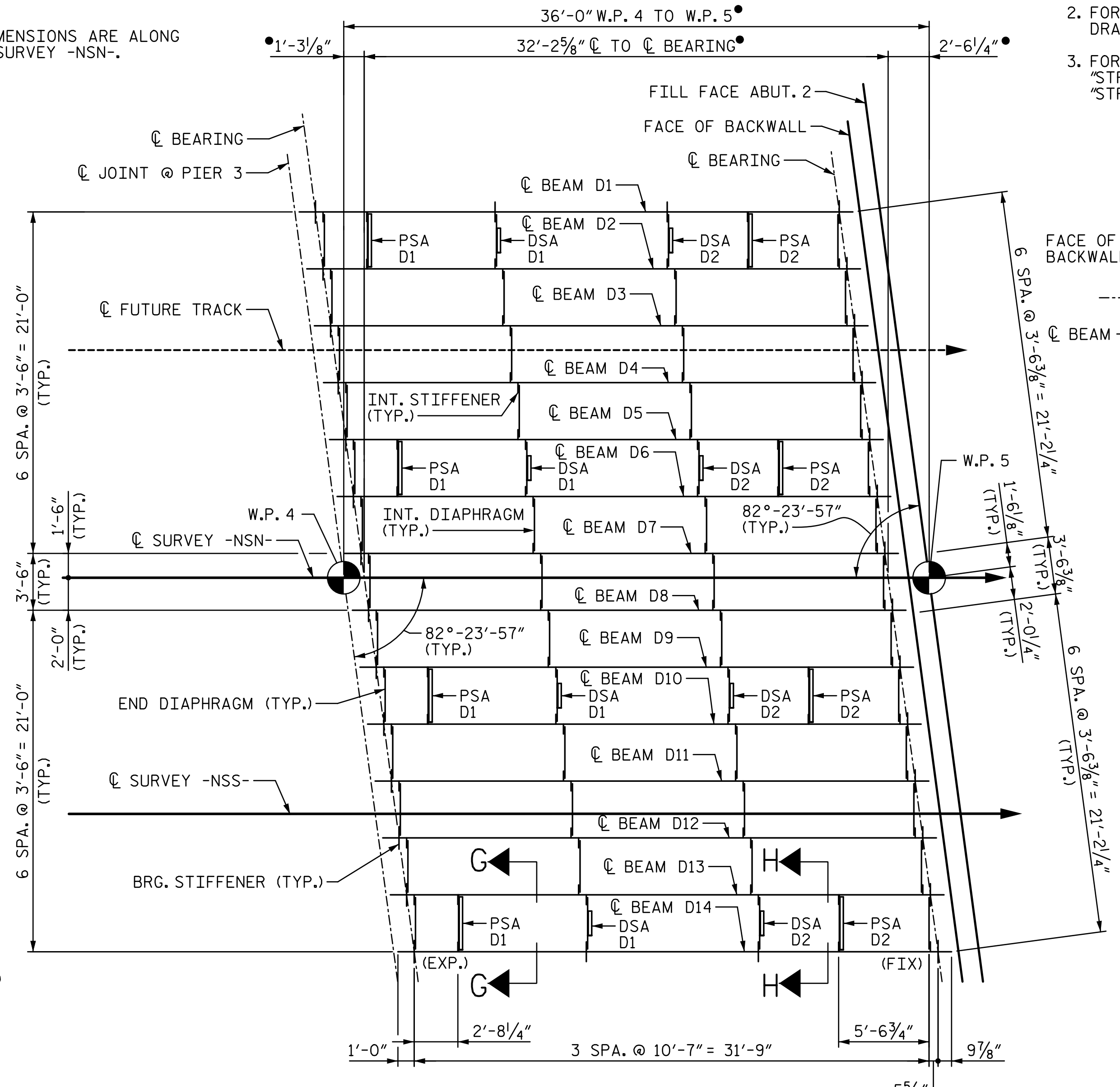


PLAN - SPAN A
ALL BEAMS ARE PARALLEL TO C SURVEY -NSN-

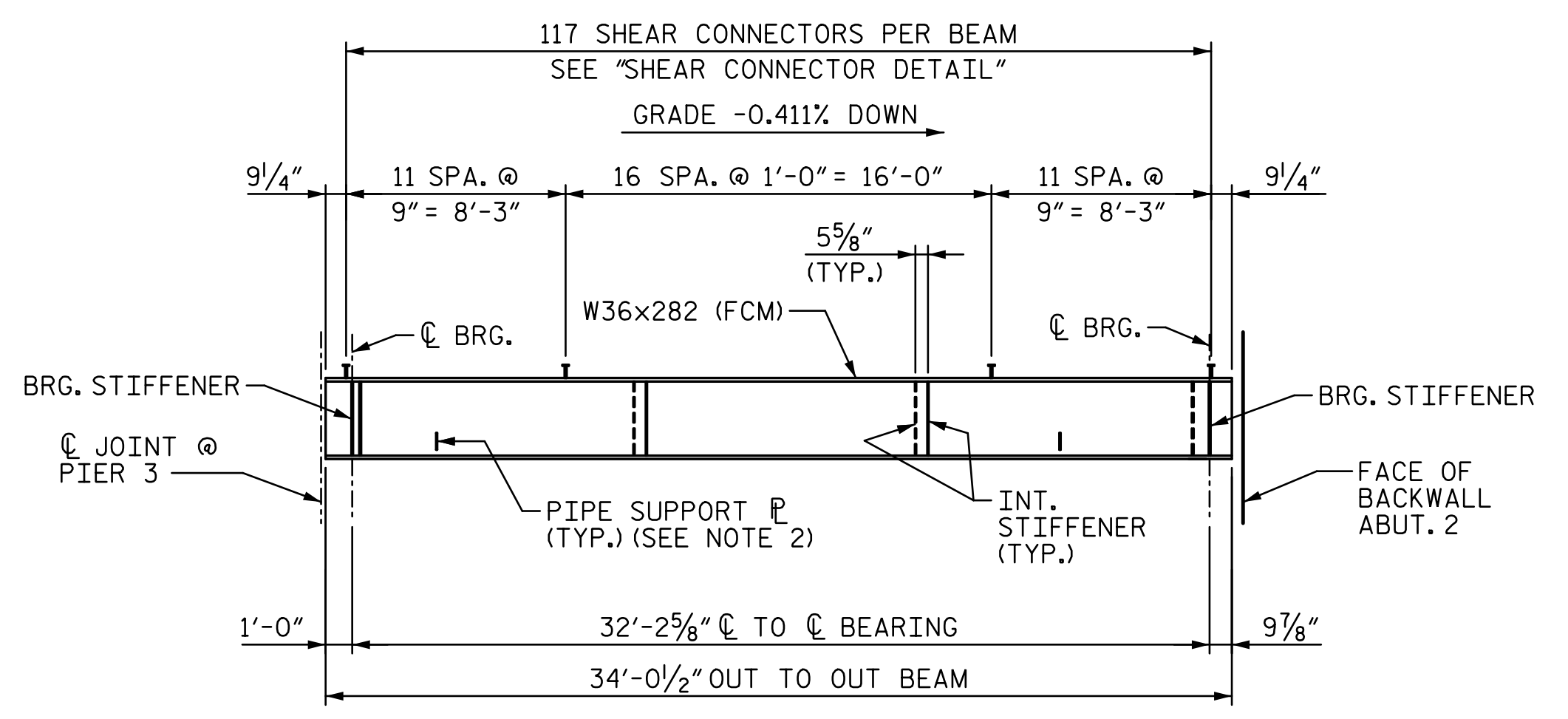


ELEVATION - SPAN A

• DIMENSIONS ARE ALONG C SURVEY -NSN-

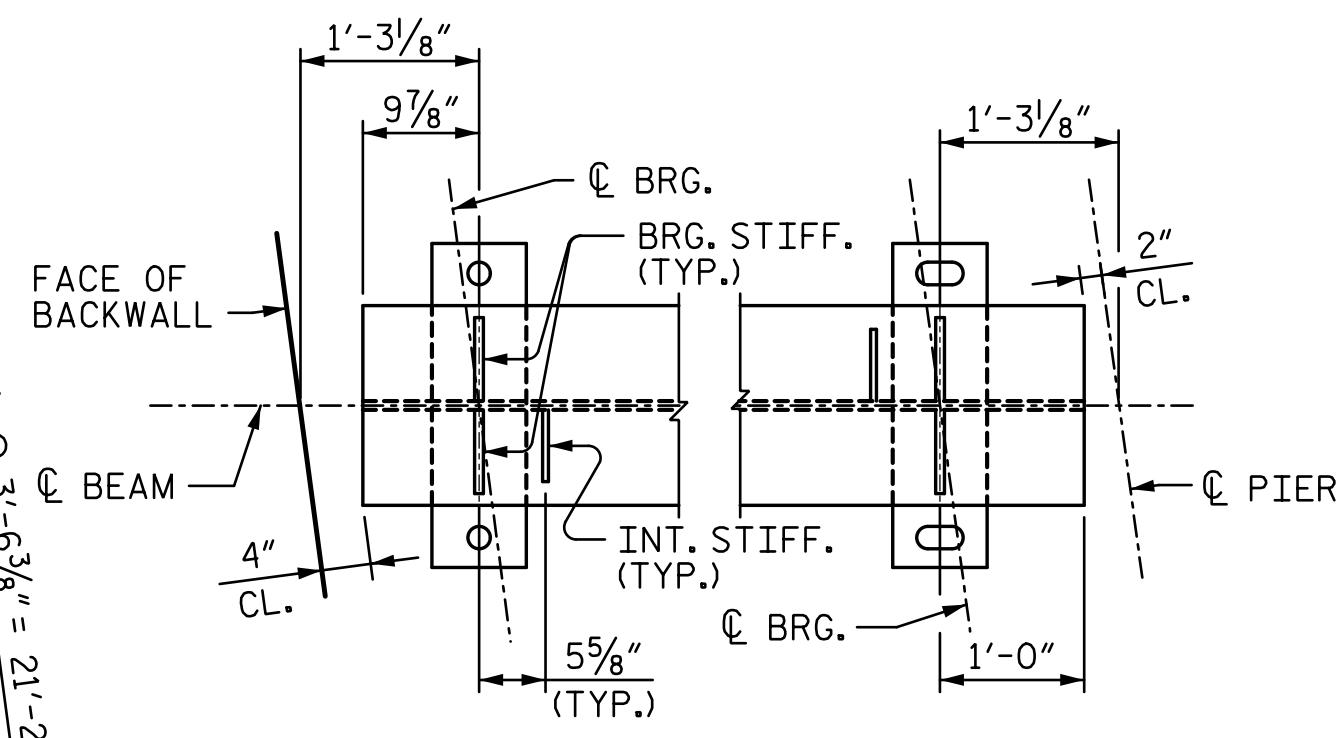


PLAN - SPAN D
ALL BEAMS ARE PARALLEL TO C SURVEY -NSN-

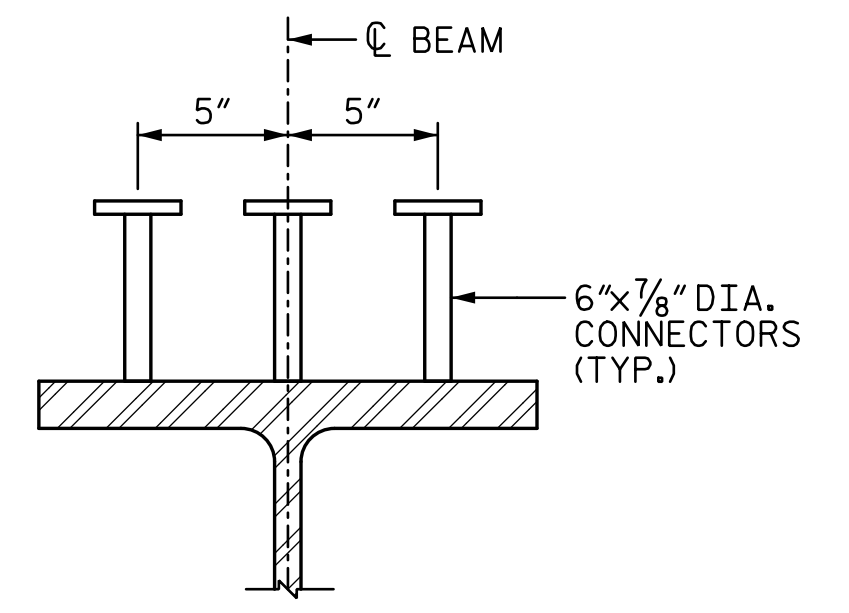


ELEVATION - SPAN D

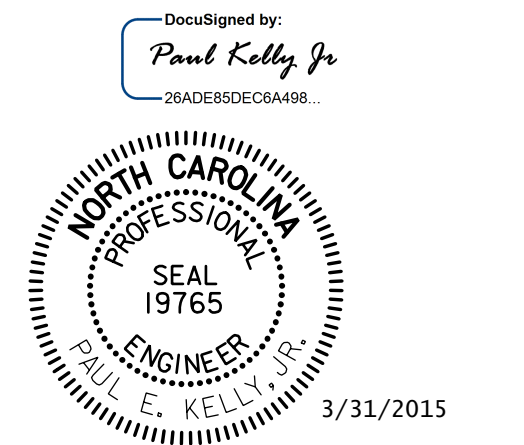
- NOTES:**
1. ALL DIMENSIONS ON THIS SHEET ARE HORIZONTAL.
 2. FOR PIPE SUPPORT ANGLE (PSA) DETAILS, SEE "STRUCTURE DRAINAGE SYSTEM" SHEET 2 OF 4.
 3. FOR DIAPHRAGM SUPPORT ANGLE (DSA) DETAILS, SEE "STRUCTURE DRAINAGE SYSTEM" SHEET 2 OF 4 AND "STRUCTURAL STEEL DETAILS" SHEET.



BEARING LOCATION DETAIL
SPAN "A" SHOWN, SPAN "D" OPPOSITE HAND



SHEAR CONNECTOR DETAIL
(TYP. FOR ALL BEAMS)



PROJECT NO. **U-3308**
DURHAM COUNTY
 STATION: **POT 24+09.63 -LALT-**
POT 21+11.43 -NSN-

SHEET 1 OF 3
 STATE OF NORTH CAROLINA
 DEPARTMENT OF TRANSPORTATION
 RALEIGH

FRAMING PLAN & GIRDER DETAILS

DRAWN BY: **MTC** DATE: **06-14**
 CHECKED BY: **DJM** DATE: **06-14**

DOCUMENT NOT CONSIDERED FINAL
 UNLESS ALL SIGNATURES COMPLETED

STV / Ralph Whitehead Associates, Inc.
 900 W Trade Street, Suite 715
 Charlotte, NC 28202
 NC License No. F-0991

REVISIONS				SHEET NO.	
NO.	BY:	DATE:	NO.	BY:	DATE:
1			3		
2			4		

TOTAL SHEETS: 44