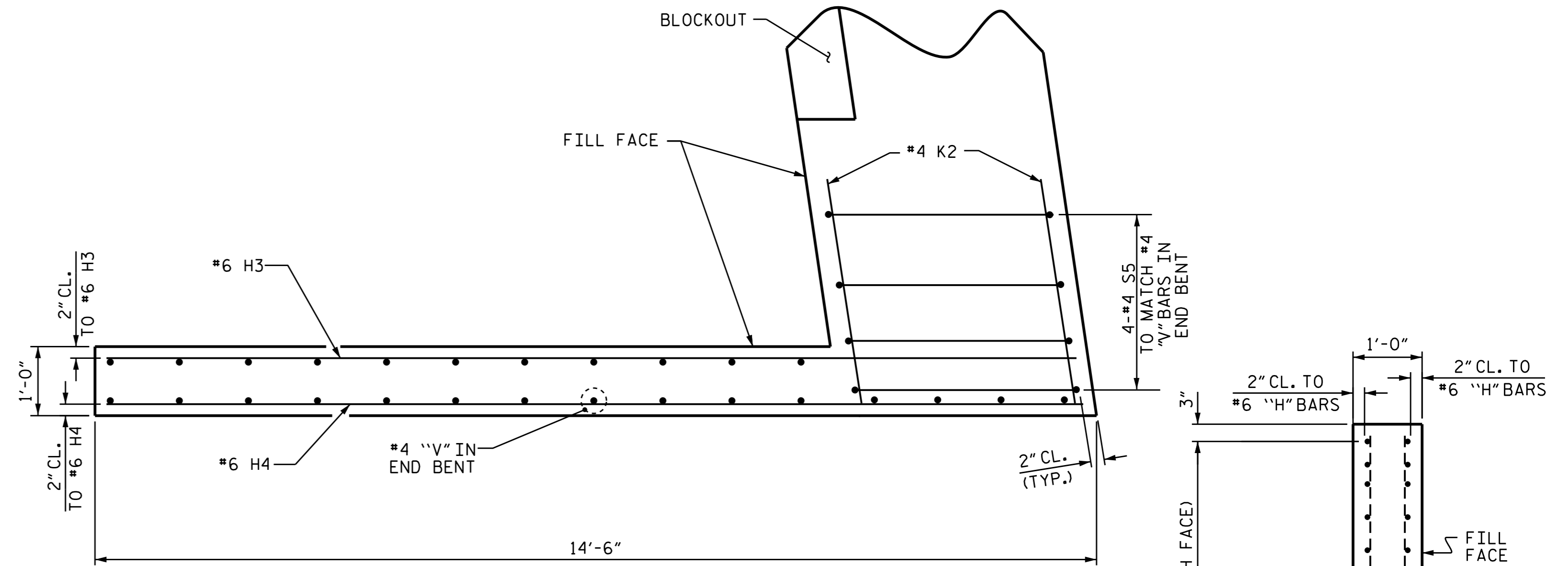
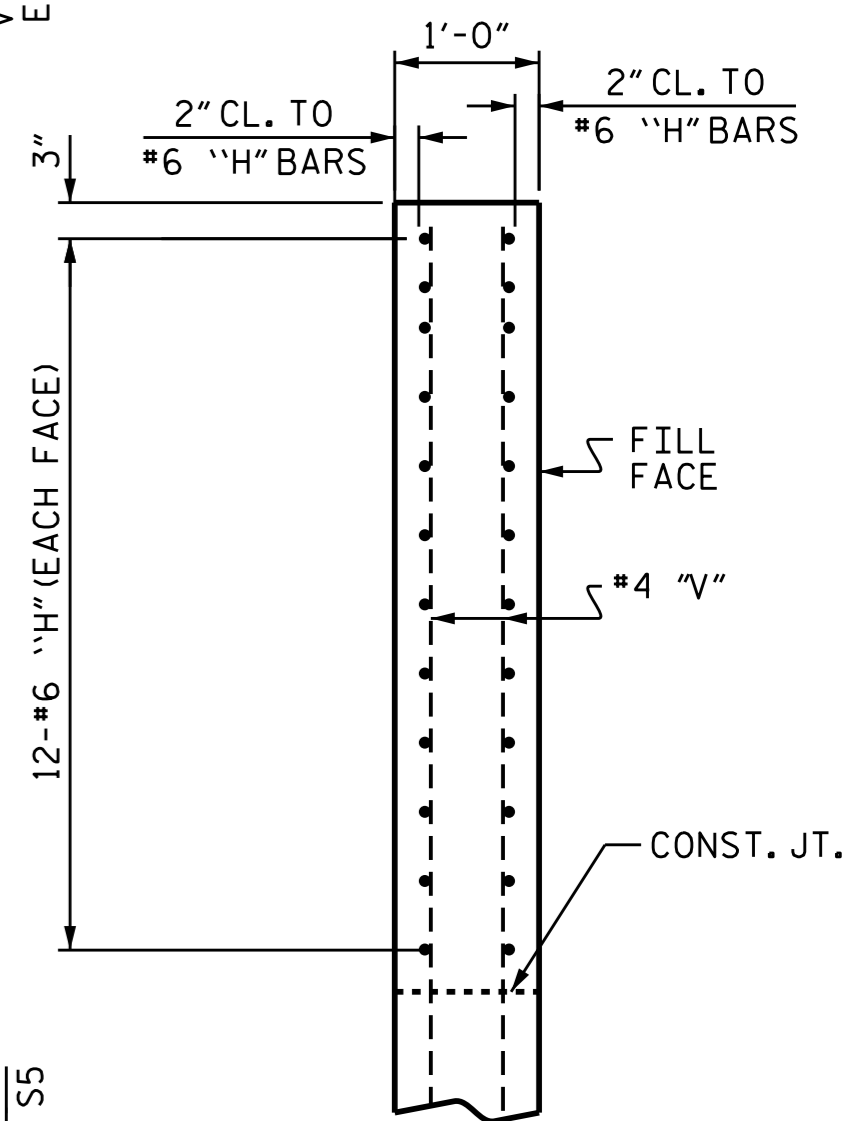


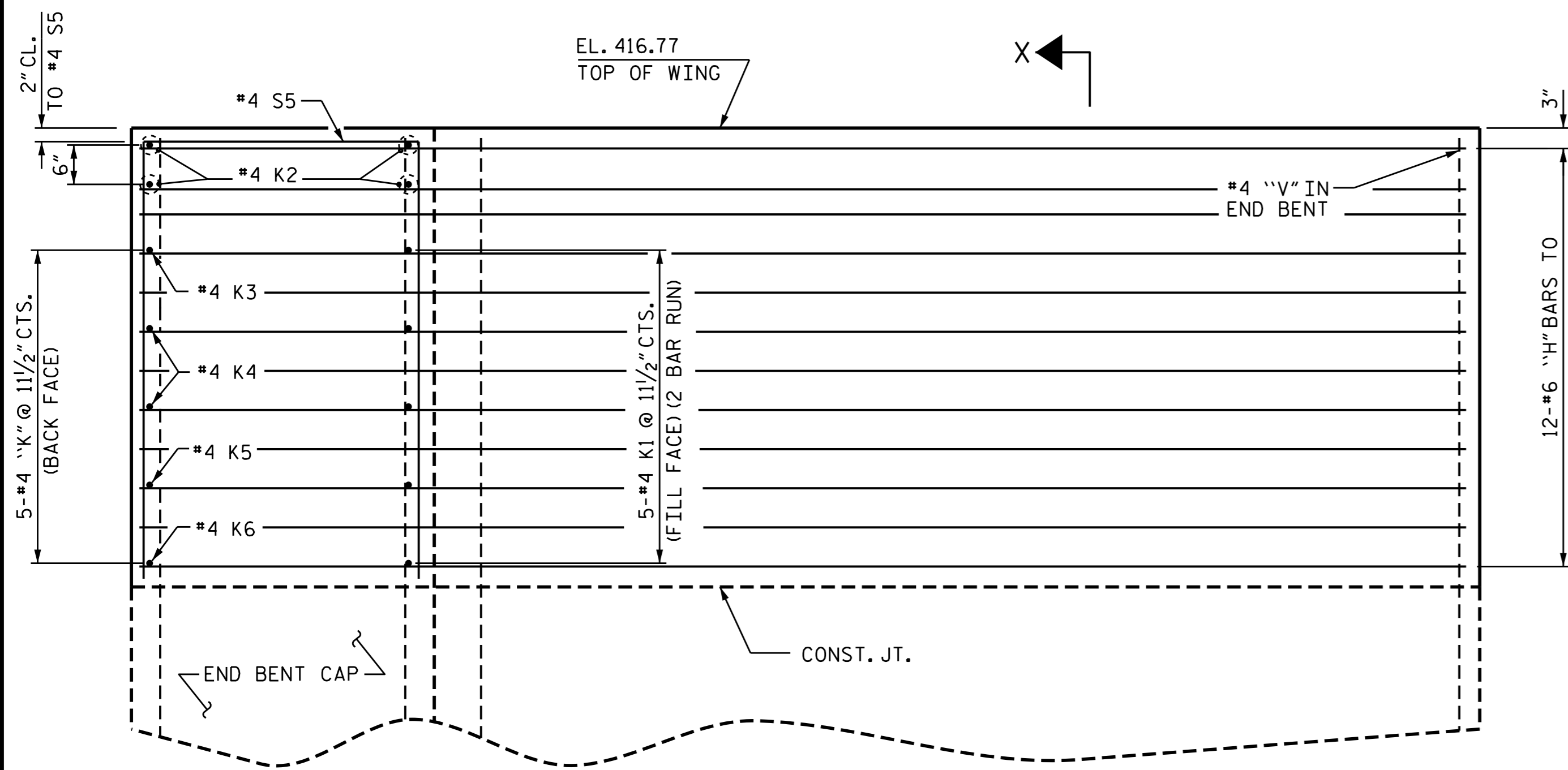
PLAN OF LEFT WING
@ END BENT 1



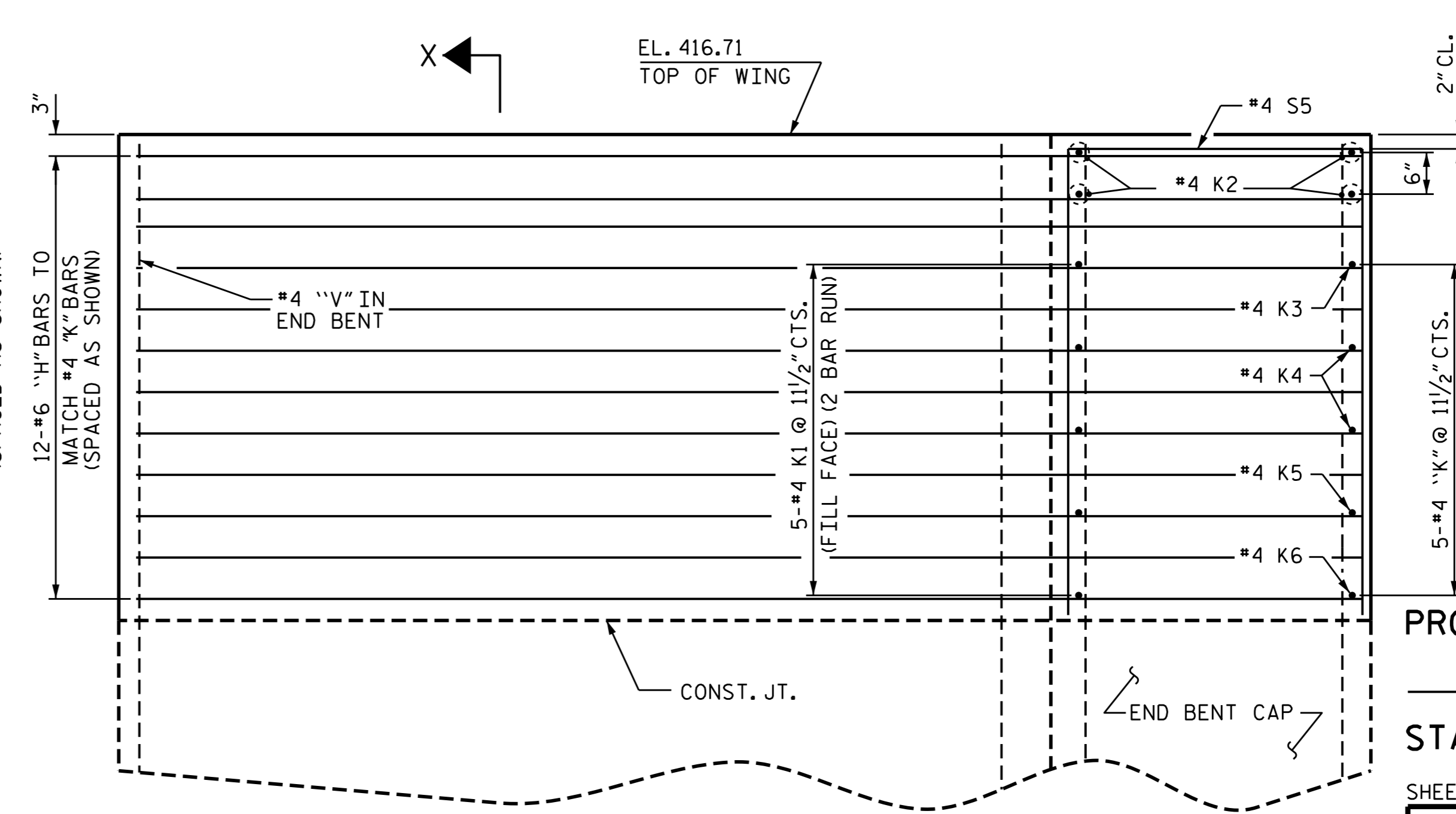
PLAN OF RIGHT WING
@ END BENT 1



SECTION X-X



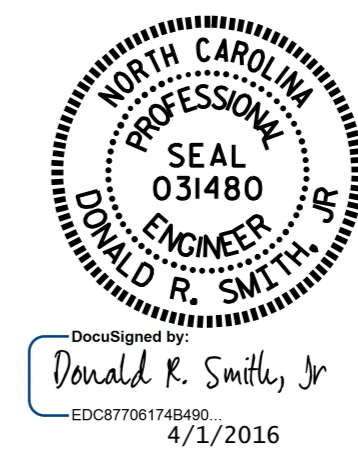
ELEVATION OF LEFT WING
@ END BENT 1



ELEVATION OF RIGHT WING
@ END BENT 1

PROJECT NO. U-3308
DURHAM COUNTY
STATION: 23+00.86-LALT-

SHEET 3 OF 4



STATE OF NORTH CAROLINA
DEPARTMENT OF TRANSPORTATION
RALEIGH
SUPERSTRUCTURE
PLAN OF SPAN
DETAILS

DRAWN BY: P.S. ADKINS DATE: 4/8/14
CHECKED BY: J.D. HAWK DATE: 5/29/14
DESIGN ENGINEER OF RECORD: D.R. SMITH DATE: 11/23/14

DOCUMENT NOT CONSIDERED
FINAL UNLESS ALL
SIGNATURES COMPLETED

REVISIONS						SHEET NO.
NO.	BY:	DATE:	NO.	BY:	DATE:	S2-9
1			3			TOTAL SHEETS
2			4			32