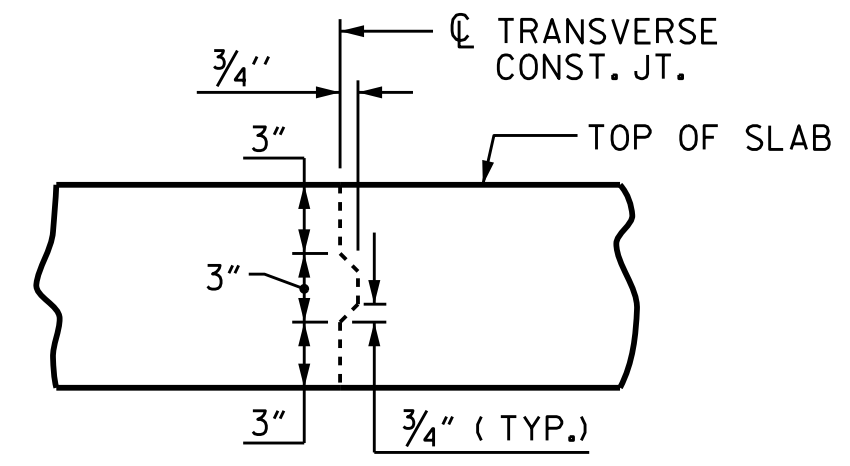


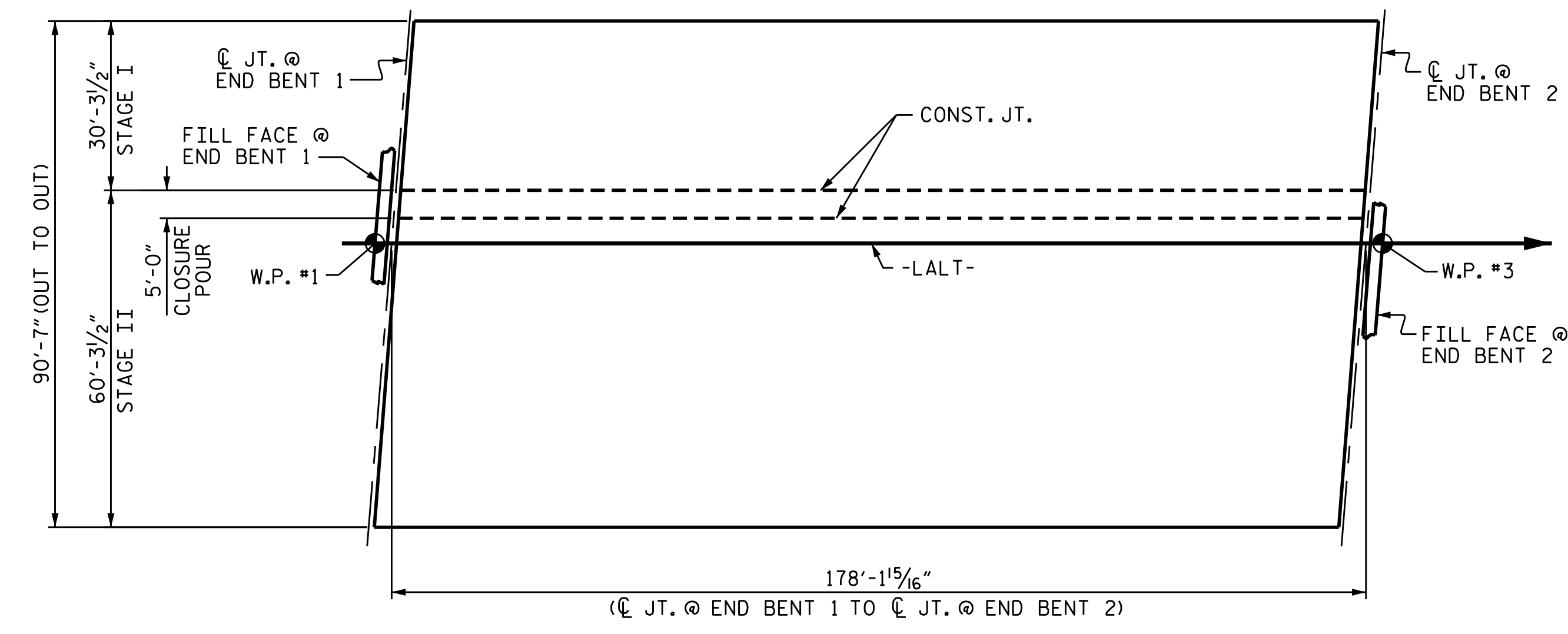
POURING SEQUENCE

NOTE: IF THE CONTRACTOR CHOOSES TO REVERSE THE DIRECTION OF POURS 1 & 4, A CONSTRUCTION JOINT WILL BE REQUIRED 4'-0" FROM THE JOINT SEAL.



TRANSVERSE CONSTRUCTION JOINT DETAIL

NOTE: REINFORCING STEEL IN SLAB NOT SHOWN. LONGITUDINAL REINFORCING STEEL SHALL BE CONTINUOUS THROUGH JOINT



LAYOUT FOR COMPUTING AREA OF REINFORCED CONCRETE DECK SLAB

STAGE I = 5,397 SQ. FT.
STAGE II = 10,742 SQ. FT.
TOTAL = 16,139 SQ. FT.

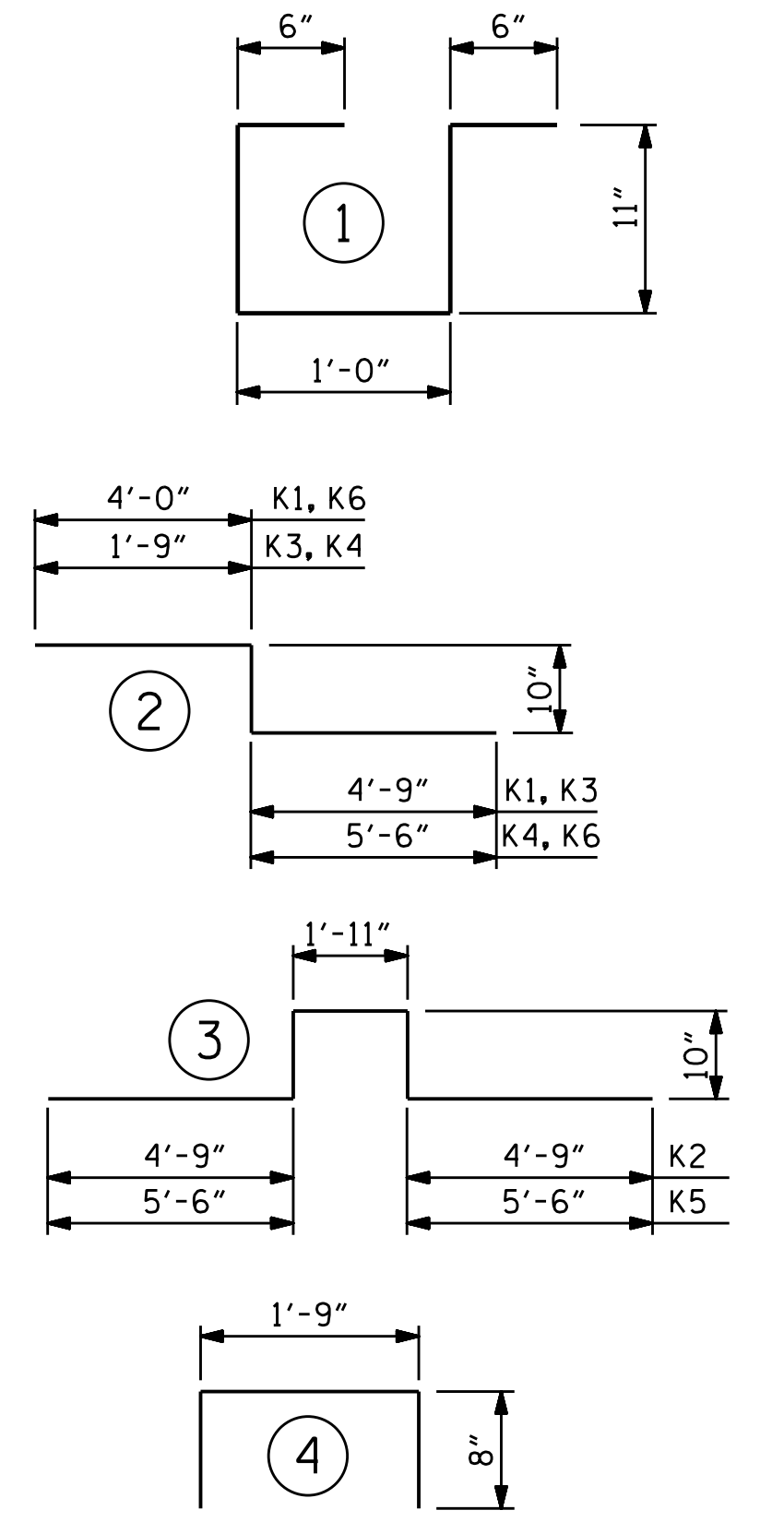
DRAWN BY : P.S. ADKINS DATE : 12-4-13
CHECKED BY : J.D. HAWK DATE : 9-5-14
DESIGN ENGINEER OF RECORD: D.R. SMITH DATE : 11-22-14

BILL OF MATERIAL

SPANS A & B

STAGE I					STAGE II						
BAR	NO.	SIZE	TYPE	LENGTH	WEIGHT	BAR	NO.	SIZE	TYPE	LENGTH	WEIGHT
*A1	381	#5	STR	29'-11"	11,888	*A3	378	#5	STR	54'-11"	21,651
A2	383	#5	STR	29'-11"	11,951	A4	379	#5	STR	54'-11"	21,708
*A101	2	#5	STR	25'-7"	53	*A120	1	#5	STR	50'-7"	53
*A102	2	#5	STR	19'-9"	41	*A121	2	#5	STR	44'-9"	93
*A103	2	#5	STR	13'-11"	29	*A122	2	#5	STR	38'-11"	81
*A104	2	#5	STR	8'-2"	17	*A123	2	#5	STR	33'-2"	69
*A105	2	#5	STR	2'-4"	5	*A124	2	#5	STR	27'-4"	57
A201	2	#5	STR	25'-7"	53	*A125	2	#5	STR	21'-6"	45
A202	2	#5	STR	19'-9"	41	*A126	2	#5	STR	15'-8"	33
A203	2	#5	STR	14'-0"	29	*A127	2	#5	STR	9'-11"	21
A204	2	#5	STR	8'-2"	17	*A128	1	#5	STR	6'-5"	7
A205	2	#5	STR	2'-4"	5	*A129	2	#5	STR	4'-1"	9
*B1	42	#4	STR	29'-4"	823	A220	2	#5	STR	50'-7"	106
*B2	80	#5	STR	59'-6"	4,965	A221	2	#5	STR	44'-9"	93
*B3	63	#4	STR	23'-0"	968	A222	2	#5	STR	39'-0"	81
B4	176	#5	STR	46'-1"	8,459	A223	2	#5	STR	33'-2"	69
						A224	2	#5	STR	27'-4"	57
						A225	2	#5	STR	21'-6"	45
*D1	386	#5	STR	6'-0"	2,416	A226	2	#5	STR	15'-9"	33
D2	388	#5	STR	6'-0"	2,428	A227	2	#5	STR	9'-11"	21
						A228	2	#5	STR	4'-1"	9
*G1	2	#5	STR	30'-0"	63						
*K1	4	#5	2	9'-7"	40	*B1	84	#4	STR	29'-4"	1,646
*K2	8	#5	3	13'-1"	109	*B2	160	#5	STR	59'-6"	9,929
*K3	4	#5	2	7'-4"	31	*B3	126	#4	STR	23'-0"	1,936
						B4	356	#5	STR	46'-1"	17,111
*S1	42	#4	1	3'-10"	108	*B11	35	#4	STR	27'-2"	635
REINFORCING STEEL LBS. 22,983					REINFORCING STEEL LBS. 41,761						
* EPOXY COATED REINFORCING STEEL LBS. 21,556					* EPOXY COATED REINFORCING STEEL LBS. 40,088						
STAGE III											
BAR	NO.	SIZE	TYPE	LENGTH	WEIGHT	BAR	NO.	SIZE	TYPE	LENGTH	WEIGHT
*G11	178	#4	STR	4'-10"	575						
* EPOXY COATED REINFORCING STEEL LBS. 1,210					* EPOXY COATED REINFORCING STEEL LBS. 1,210						

BAR TYPES



ALL BAR DIMENSIONS ARE OUT TO OUT.

SUPERSTRUCTURE BILL OF MATERIAL

	CLASS AA CONCRETE (CU. YDS.)	REINFORCING STEEL (LBS.)	EPOXY COATED REINFORCING STEEL (LBS.)
STAGE I			
POUR #1	49.2		
POUR #2	120.2	22,983	21,556
POUR #3	10.1		
STAGE II			
POUR #4	88.9		
POUR #5	223.2	41,761	40,088
POUR #6	14.0		
CLOSURE POUR	25.1		
SIDEWALK	21.8		
STAGE III			
SIDEWALK	21.8		1,210
TOTALS **	574.3	64,744	62,854

** QUANTITIES FOR PARAPET ARE NOT INCLUDED.

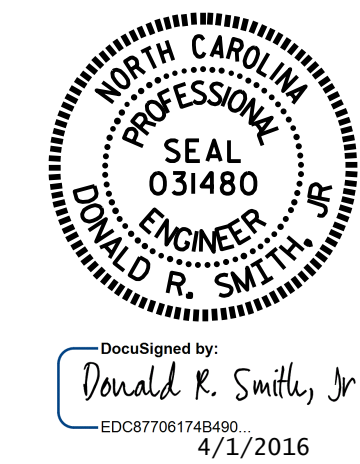
SUPERSTRUCTURE REINFORCING STEEL LENGTHS ARE BASED ON THE FOLLOWING MINIMUM SPLICE LENGTHS

BAR SIZE	SUPERSTRUCTURE EXCEPT APPROACH SLABS, PARAPET, AND BARRIER RAIL		APPROACH SLABS		PARAPET AND BARRIER RAIL
	EPOXY COATED	UNCOATED	EPOXY COATED	UNCOATED	
#4	2'-0"	1'-9"	2'-0"	1'-9"	2'-9"
#5	2'-6"	2'-2"	2'-6"	2'-2"	3'-5"
#6	3'-0"	2'-7"	3'-10"	2'-7"	4'-4"
#7	5'-3"	3'-6"			
#8	6'-10"	4'-7"			

PROJECT NO. U-3308
DURHAM COUNTY
STATION: 16+42.70-LALT-

GROOVING BRIDGE FLOORS

	STAGE I SQ.FT.	STAGE II SQ.FT.	TOTAL SQ.FT.
APPROACH SLABS	1,090	2,679	3,769
BRIDGE DECK	4,067	9,991	14,058
TOTAL	5,157	12,670	17,827



STATE OF NORTH CAROLINA
DEPARTMENT OF TRANSPORTATION
RALEIGH

SUPERSTRUCTURE BILL OF MATERIAL

DOCUMENT NOT CONSIDERED FINAL UNLESS ALL SIGNATURES COMPLETED

REVISIONS						SHEET NO. S1-31 TOTAL SHEETS 47
NO.	BY:	DATE:	NO.	BY:	DATE:	
1			3			
2			4			