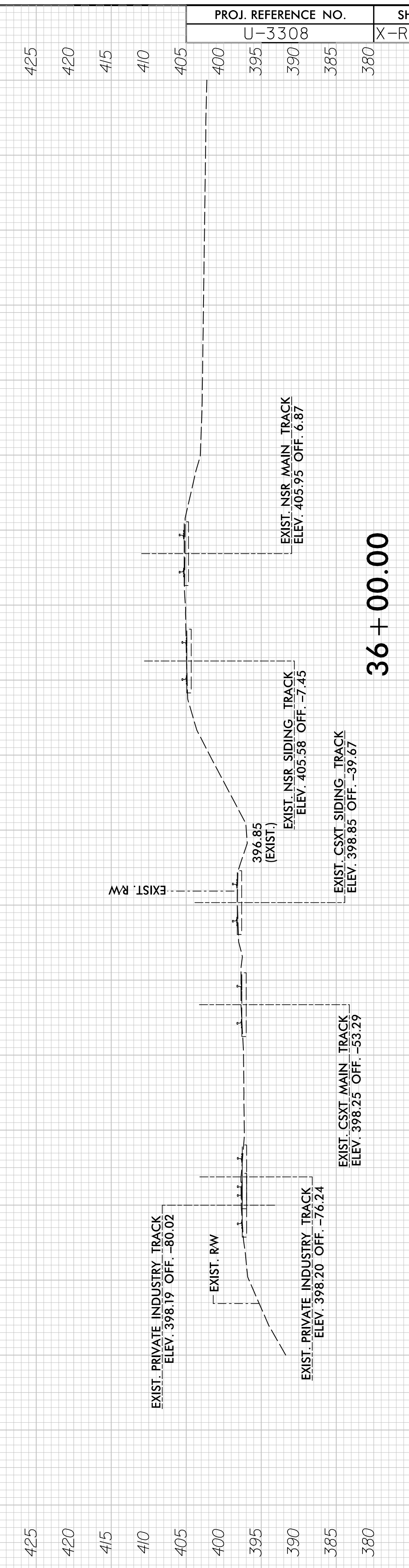
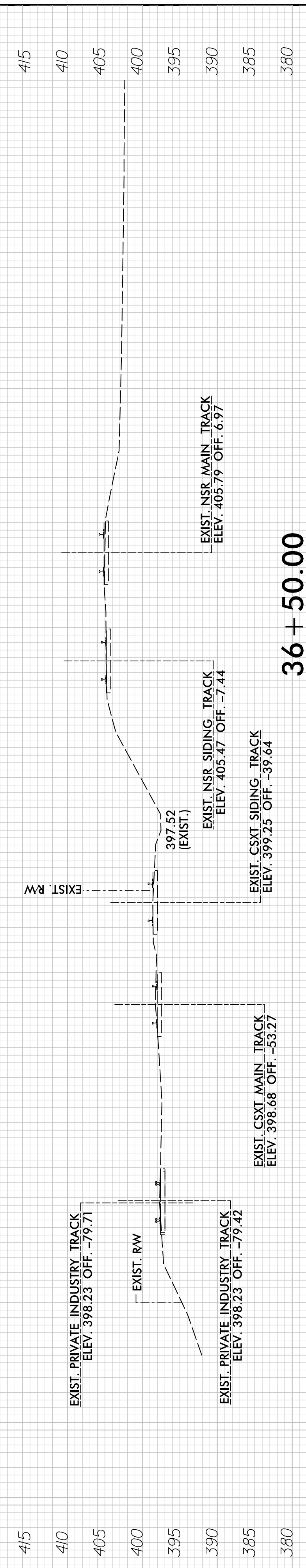
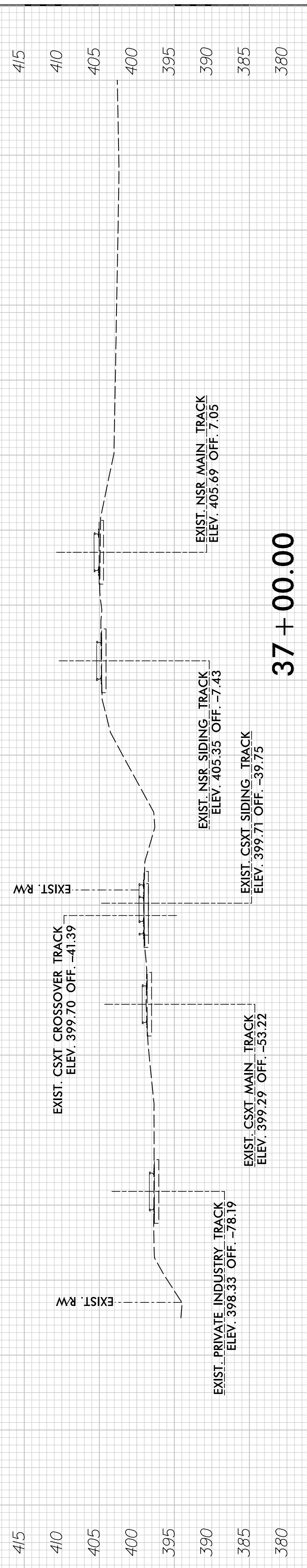


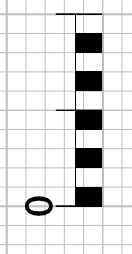
P:\862015_1\PROJECTS\513251\usstation\track\RA_u3308_rdu_xp\l_nss-nsn_DETOUR.dgn
10/26/98

120 110 100 90 80 70 60 50 40 30 20 10 0 10 20 30 40 50 60 70



120 110 100 90 80 70 60 50 40 30 20 10 0 10 20 30 40 50 60 70

-NSS-NSN- (DETOUR)



PROJ. REFERENCE NO.	SHEET NO.
U-3308	X-RR12DET