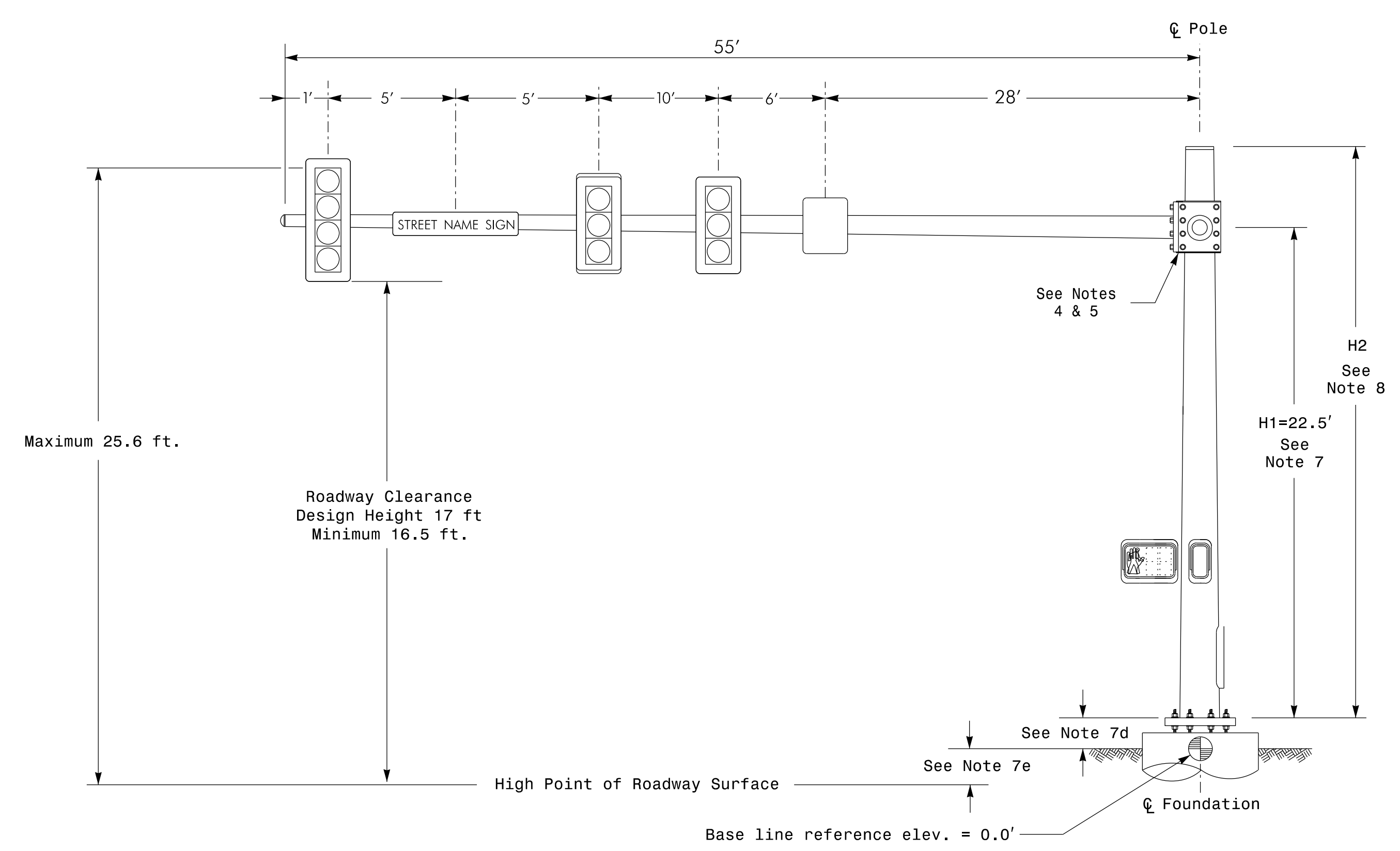
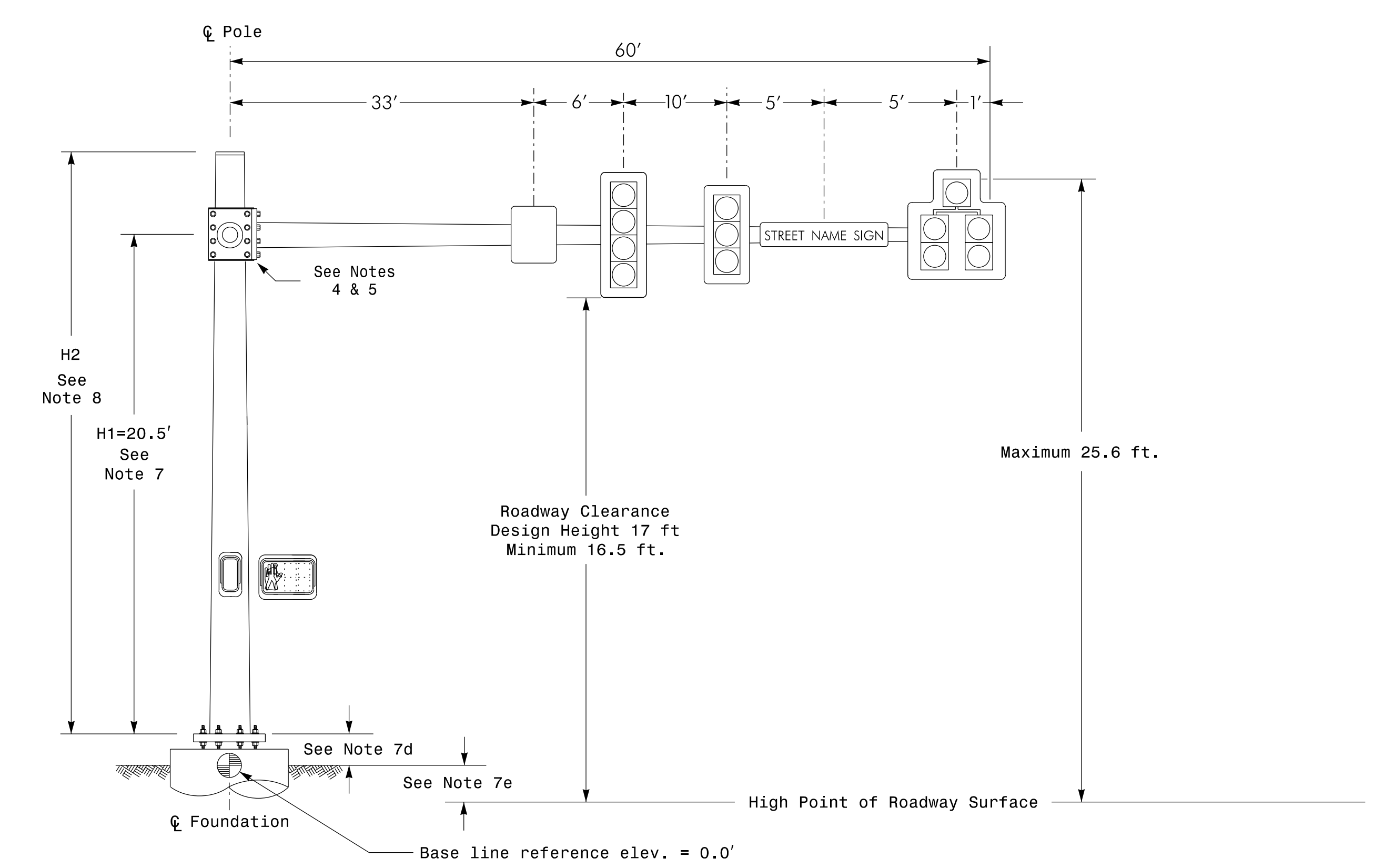


Design Loading for METAL POLE NO. 5, MAST ARM A



Elevation View @ 0°

Design Loading for METAL POLE NO. 5, MAST ARM B

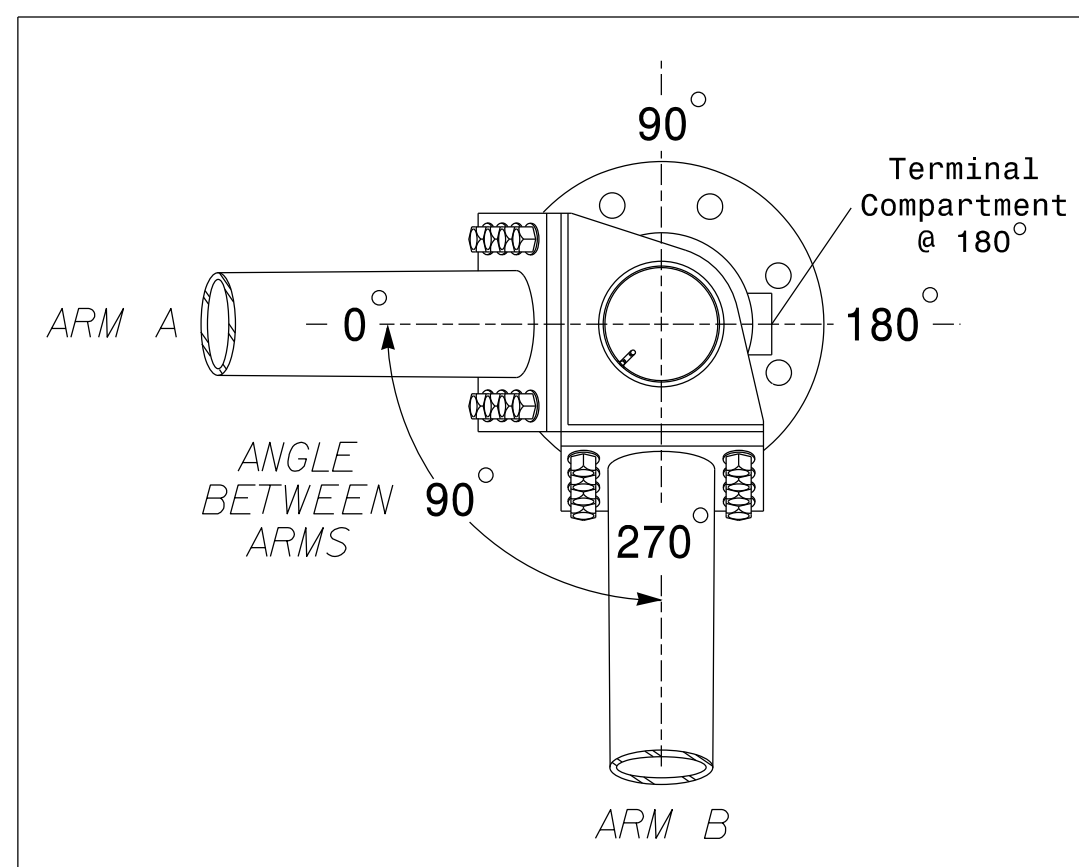


Elevation View @ 270°

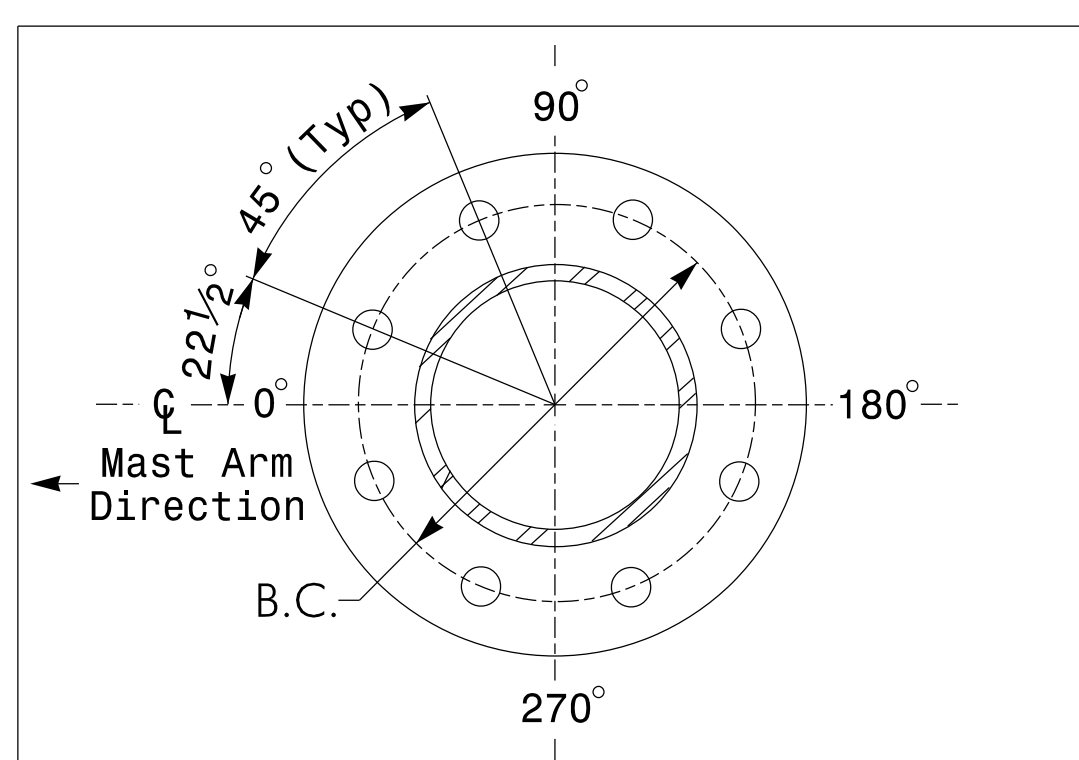
SPECIAL NOTE
The contractor is responsible for verifying that the mast arm attachment height (H1) will provide the "Design Height" clearance from the roadway before submitting final shop drawings for approval. Verify elevation data below which was obtained by field measurement or from available project survey data.

Elevation Data for Mast Arm Attachment (H1)

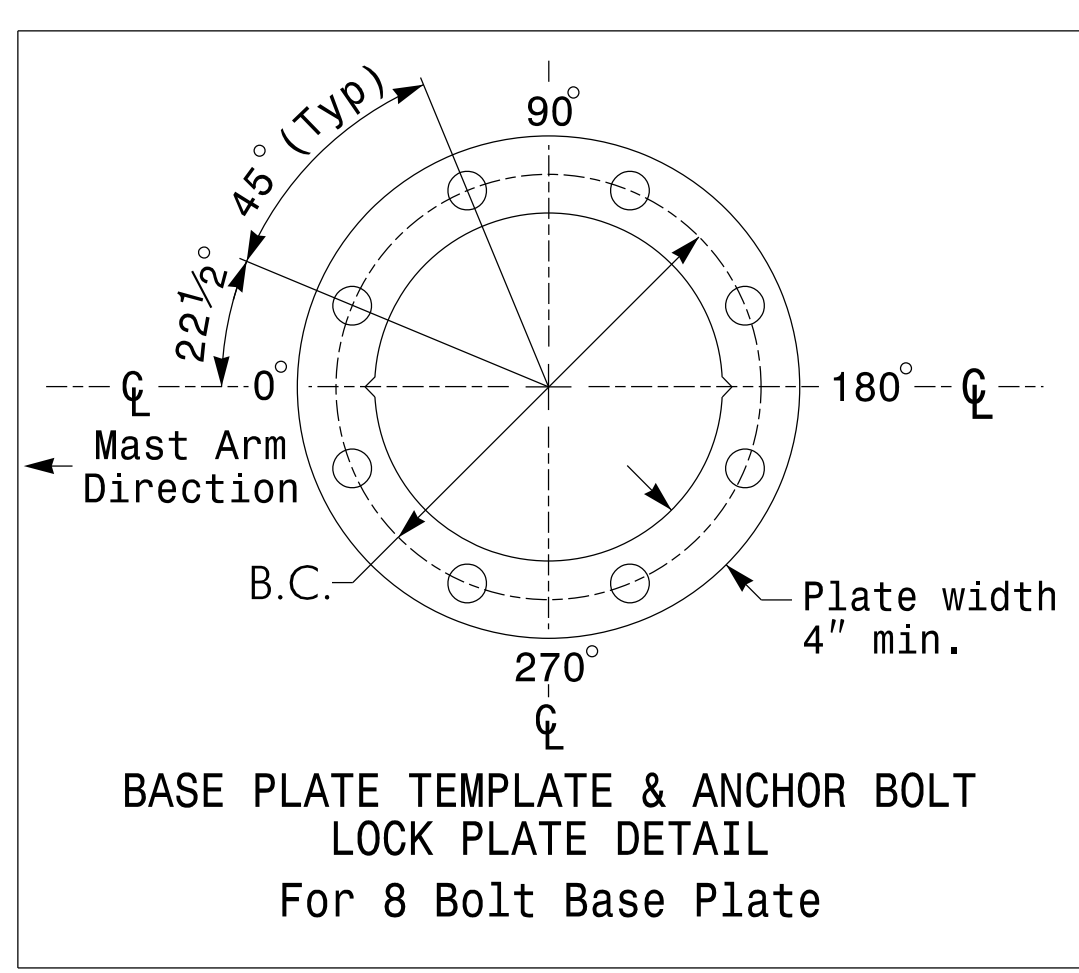
| Elevation Differences for: | Arm "A" | Arm "B" |
|-----------------------------------------------------------|-----------|-----------|
| Baseline reference point at Foundation @ ground level | 0.0 ft. | 0.0 ft. |
| Elevation difference at High point of roadway surface | +3.03 ft. | +1.12 ft. |
| Elevation difference at Edge of travelway or face of curb | +0.66 ft. | -0.60 ft. |



POLE RADIAL ORIENTATION



8 BOLT BASE PLATE DETAIL
See Note 6



BASE PLATE TEMPLATE & ANCHOR BOLT LOCK PLATE DETAIL
For 8 Bolt Base Plate

MAST ARM LOADING SCHEDULE

| LOADING SYMBOL | DESCRIPTION | AREA | SIZE | WEIGHT |
|----------------|-----------------------------------------------------------------|-----------|-------------------------|---------|
| [Symbol] | SIGNAL HEAD 12"-4 SECTION WITH 8" BACKPLATE RIGID MOUNTED | 15.8 S.F. | 31.5" W X 72.0" L | 78 LBS |
| [Symbol] | SIGNAL HEAD 12"-3 SECTION WITH 8" BACKPLATE RIGID MOUNTED | 12.8 S.F. | 31.5" W X 58.5" L | 63 LBS |
| [Symbol] | SIGNAL HEAD 12"-5 SECTION WITH 8" BACKPLATE RIGID MOUNTED | 20.7 S.F. | 48.0" W X 62.0" L | 107 LBS |
| [Symbol] | STREET NAME SIGN RIGID MOUNTED | 12.0 S.F. | 18.0" W X 96.0" L | 27 LBS |
| [Symbol] | PEDESTRIAN SIGNAL HEAD WITH MOUNTING HARDWARE | 2.2 S.F. | 18.5" W X 17.0" L | 21 LBS |
| [Symbol] | SIGN RIGID MOUNTED | 7.5 S.F. | 30.0" W X 36.0" L | 14 LBS |

NOTES

Design Reference Material

- Design the traffic signal structure and foundation in accordance with:
 - The 5th Edition 2009 AASHTO "Standard Specifications for Structural Supports for Highway Signs, Luminaires, and Traffic Signals, including all of the latest interim revisions.
 - The 2012 NCDOT "Standard Specifications for Roads and Structures". The latest addenda to these specifications can be found in the traffic signal project special provisions.
 - The 2012 NCDOT Roadway Standard Drawings.
 - The traffic signal project plans and special provisions.
 - The NCDOT "Metal Pole Standards" located at the following NCDOT website: <https://connect.ncdot.gov/resources/safety/Pages/ITS-Design-Resources.aspx>

Design Requirements

- Design the traffic signal structure using the loading conditions shown in the elevation views. These are anticipated worst case "Design loads" and may not represent the actual loads that will be applied at the time of the installation. The contractor should refer to the traffic signal plans for the actual loads that will be applied at the time of the installation.
- Design all signal supports using stress ratios that do not exceed 0.9.
- The camber design for mast arm deflection should provide an appearance of a low pitched arch where the tip or the free end of the mast arm does not deflect below horizontal when fully loaded.
- A clamp-type bolted mast arm-to-pole connection may be used instead of the welded ring stiffened box connection shown as long as the connection meets all of the design requirements. This requires staggering the connections. Use elevation data for each arm to determine appropriate arm connection points.
- Design base plate with 8 anchor bolt holes. Provide 2 inch x 60 inch anchor bolts.
- The mast arm attachment height (H1) shown is based on the following design assumptions:
 - Mast arm slope and deflection are not considered in determining the arm attachment height as they are assumed to offset each other.
 - Signal heads attached to the mast arm are rigid mounted and vertically centered on the arm.
 - The roadway clearance height for design is as shown in the elevation views.
 - The top of the pole base plate is .75 feet above the ground elevation.
 - Refer to the Elevation Data chart for elevation differences between the proposed foundation ground level and the high point on the roadway.
- The pole manufacturer will determine the total height (H2) of the pole using the greater of the following:
 - Mast arm attachment height (H1) plus 2 feet, or
 - H1 plus 1/2 of the total height of the mast arm attachment assembly plus 1 foot.
- If pole location adjustments are required, the contractor must gain approval from the engineer as this may affect the mast arm lengths and arm attachment heights. The contractor may contact the Signal Design Structural Engineer for assistance at (919) 773-2800.
- The contractor is responsible for verifying that the mast arm lengths shown will allow proper positioning of the signal heads over the roadway.
- The contractor is responsible for providing soil penetration testing data (SPT) to the pole manufacturer so site specific foundations can be designed.

SEPI ENGINEERING & CONSTRUCTION
1025 Wade Avenue
Raleigh, NC 27605
Tel: 919-789-9977
Fax: 919-789-9591
License #: C-2197

NCDOT Wind Zone 4 (90 mph)

Prepared for the Offices of:

 NC 55 (South Alston Avenue)
 at
 SR 1926 (Angier Avenue)
 Division 5 Durham County Durham
 PLAN DATE: December 2014 REVIEWED BY: J. Hochanadel
 PREPARED BY: M. Copple REVIEWED BY:
 SCALE: 0 N/A
 REVISIONS: INIT. DATE
 DocuSigned by: [Signature] 4/02/15
 DATE: 4/02/15
 SIG. INVENTORY NO. 05-1026

SEPI ENGINEERING & CONSTRUCTION
1025 WEADE AVENUE
RALEIGH, NC 27605
TEL: 919-789-9977
FAX: 919-789-9591
WWW.SEPI-NC.COM