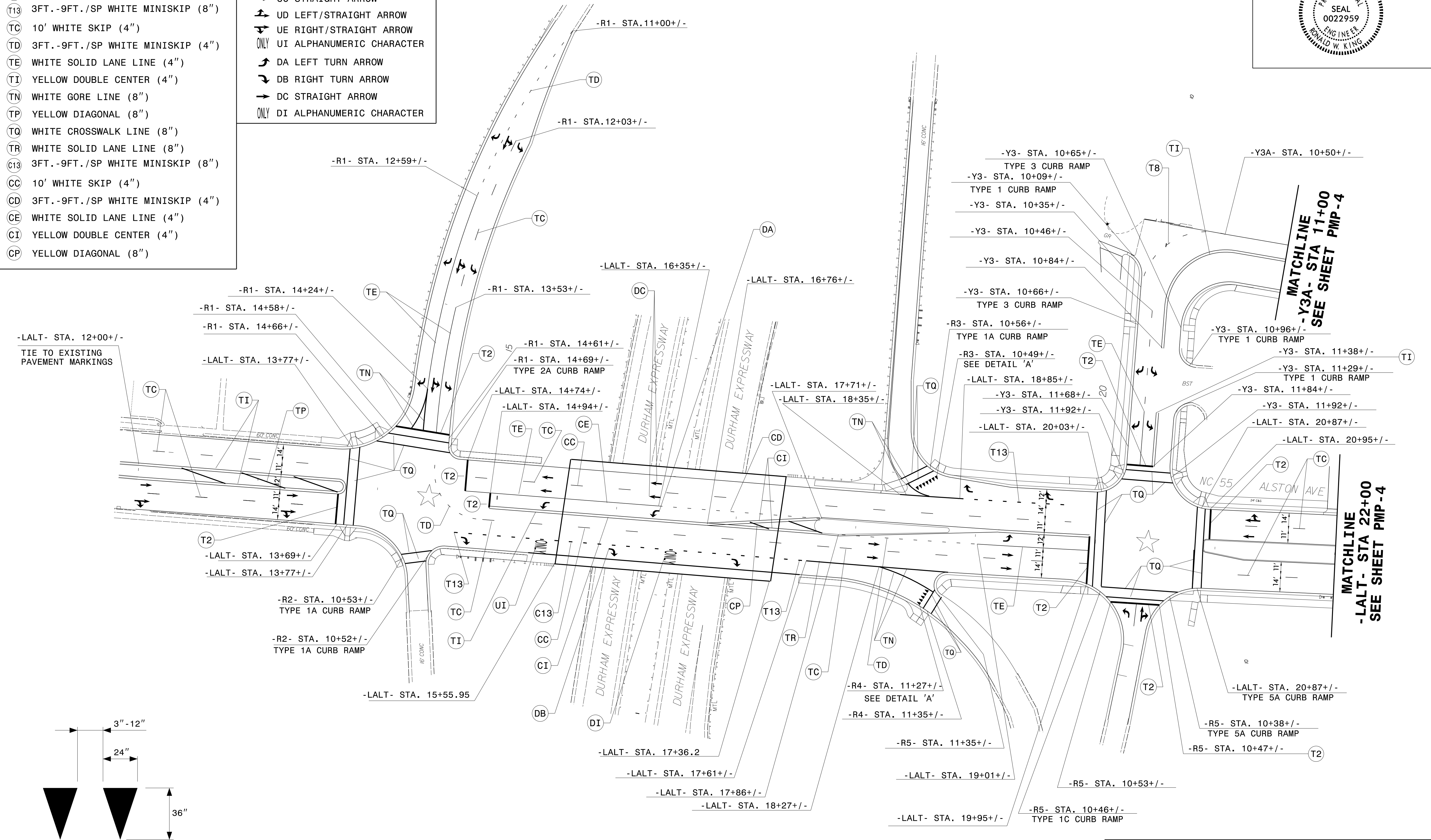


SYMBOL AND PAVEMENT MARKING LEGEND

- THERMOPLASTIC**
- (T2) WHITE STOPBAR (24")
 - (T8) 2FT.-6FT./SP WHITE MINISKIP (4")
 - (T13) 3FT.-9FT./SP WHITE MINISKIP (8")
 - (TC) 10' WHITE SKIP (4")
 - (TD) 3FT.-9FT./SP WHITE MINISKIP (4")
 - (TE) WHITE SOLID LANE LINE (4")
 - (TI) YELLOW DOUBLE CENTER (4")
 - (TN) WHITE GORE LINE (8")
 - (TP) YELLOW DIAGONAL (8")
 - (TQ) WHITE CROSSWALK LINE (8")
 - (TR) WHITE SOLID LANE LINE (8")
 - (C13) 3FT.-9FT./SP WHITE MINISKIP (8")
 - (CC) 10' WHITE SKIP (4")
 - (CD) 3FT.-9FT./SP WHITE MINISKIP (4")
 - (CE) WHITE SOLID LANE LINE (4")
 - (CI) YELLOW DOUBLE CENTER (4")
 - (CP) YELLOW DIAGONAL (8")

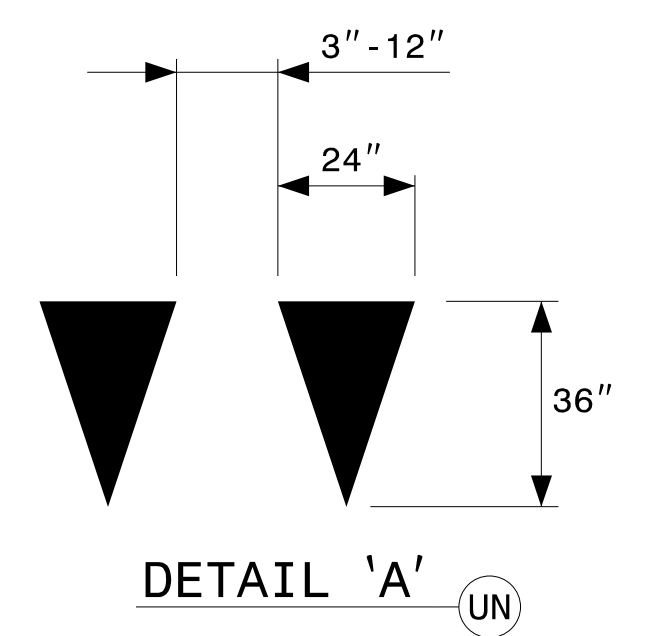
- ↙ UA LEFT TURN ARROW
- ↘ UB RIGHT TURN ARROW
- UC STRAIGHT ARROW
- ↖ UD LEFT/STRAIGHT ARROW
- ↗ UE RIGHT/STRAIGHT ARROW
- ONLY UI ALPHANUMERIC CHARACTER
- ↙ DA LEFT TURN ARROW
- ↘ DB RIGHT TURN ARROW
- DC STRAIGHT ARROW
- ONLY DI ALPHANUMERIC CHARACTER



-LALT- STA. 12+00+/-
TIE TO EXISTING
PAVEMENT MARKINGS

MATCHLINE
-Y3A- STA 11+00
SEE SHEET PMP-4

MATCHLINE
-LALT- STA 22+00
SEE SHEET PMP-4



PAVEMENT MARKING DETAIL