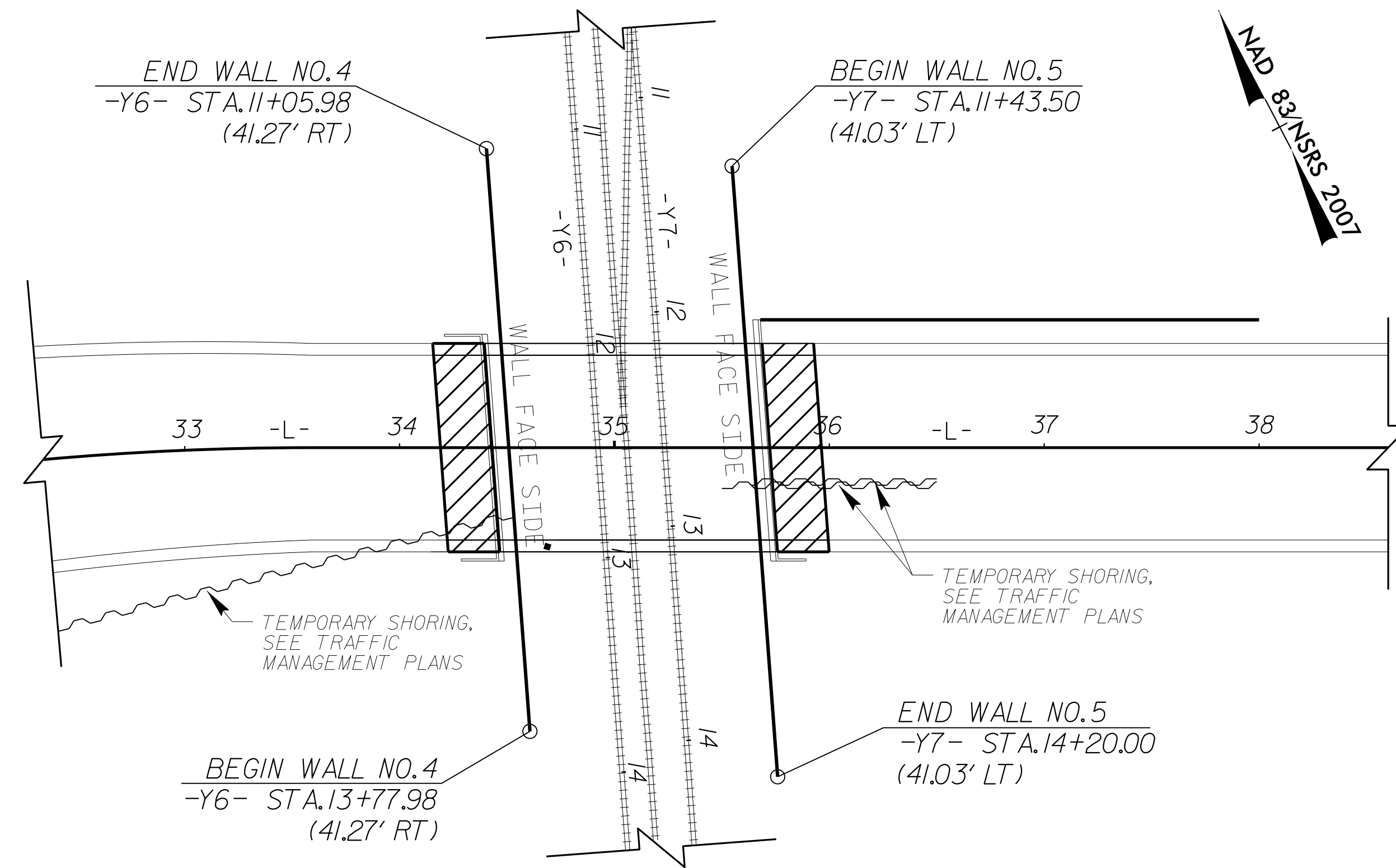


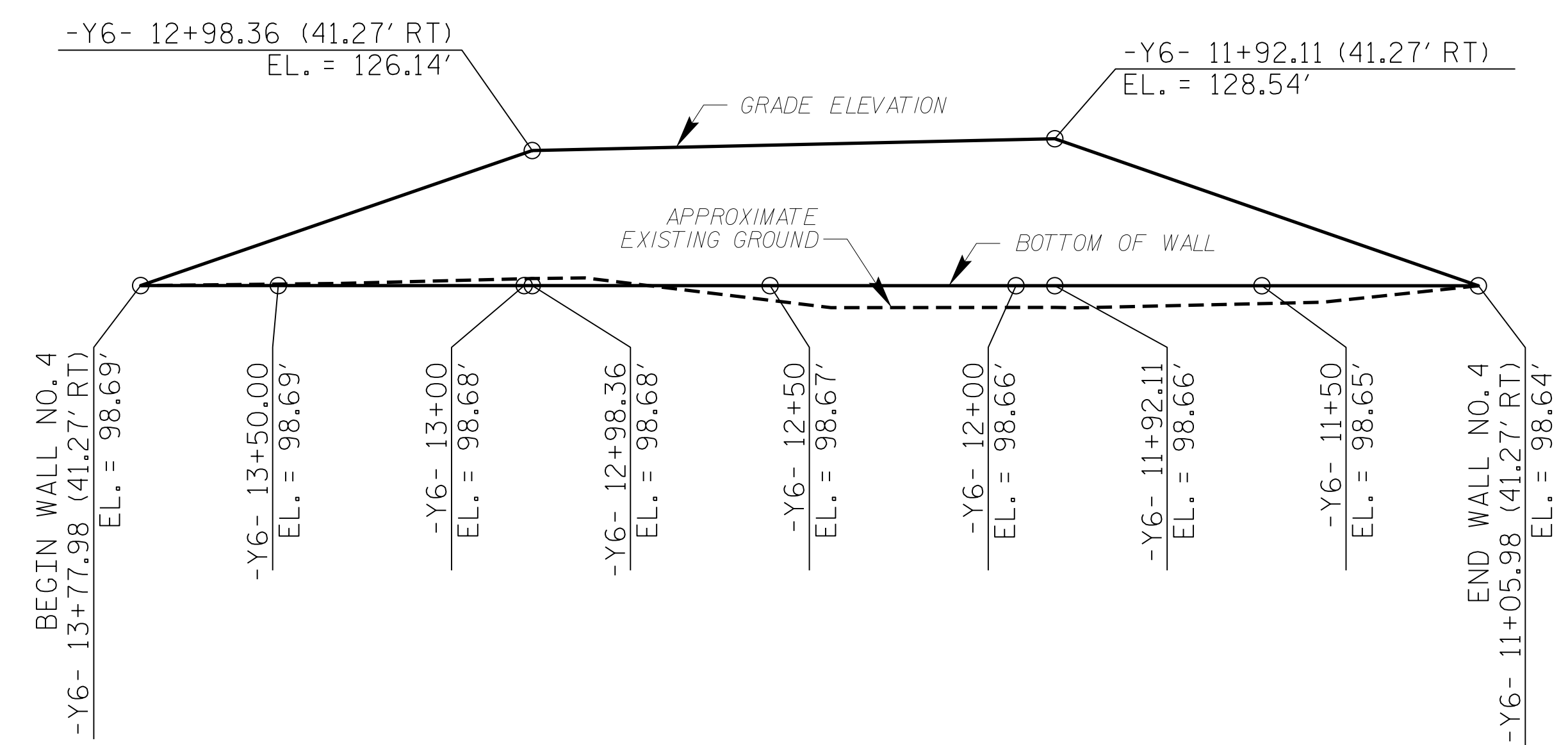
GEOTECHNICAL ENGINEER
 ENGINEER
 NORTH CAROLINA PROFESSIONAL SEAL 032171
 ENGINEERS WINSTON-SALEM
 9/25/2015
 DATE
 SIGNATURE DATE



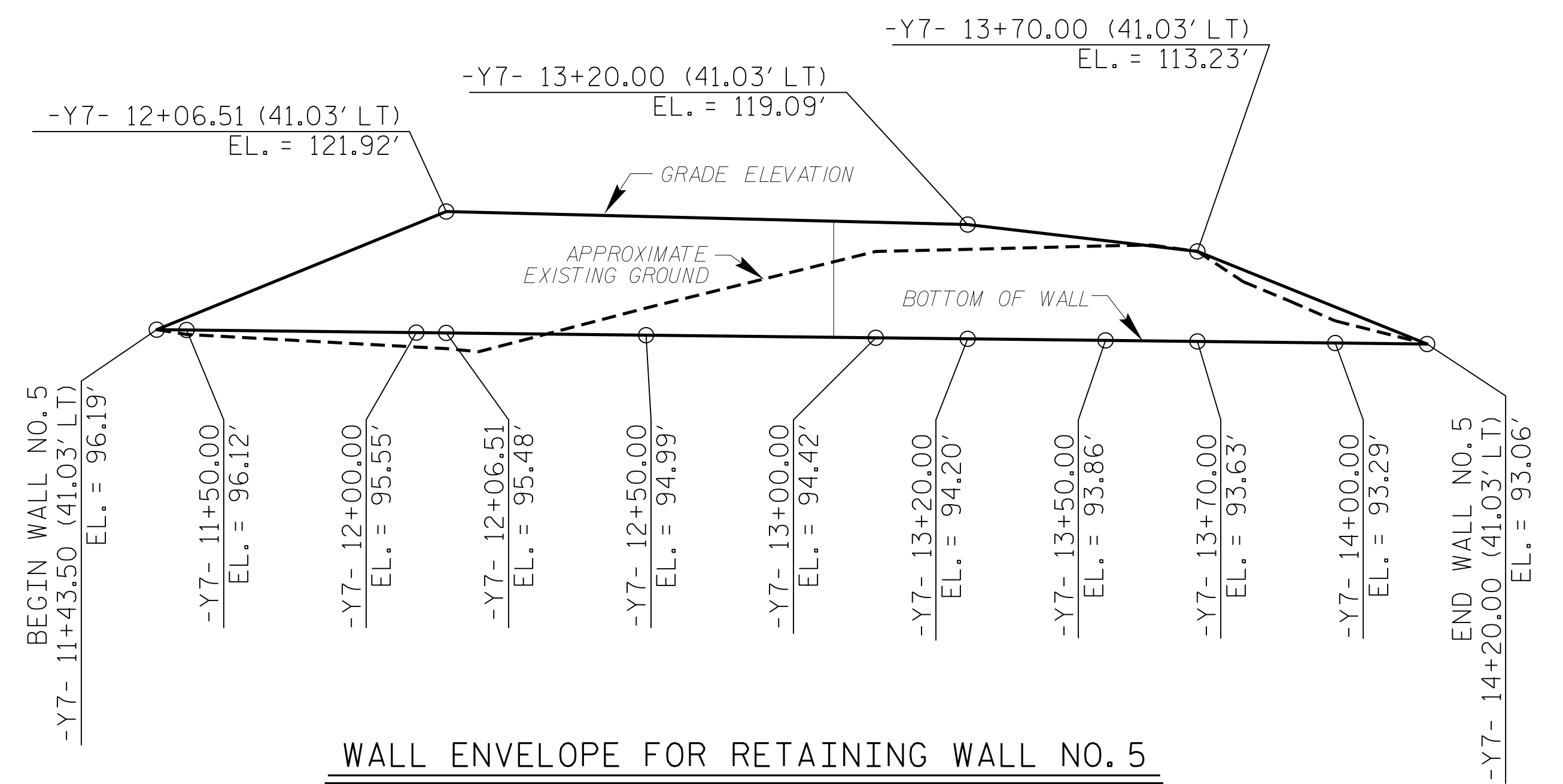
PLAN VIEW FOR RETAINING WALL NO. 4 & NO. 5
N.T.S.

ESTIMATED RETAINING WALL NO. 4 QUANTITIES	
MSE RETAINING WALL NO. 4	6,700 SF
CIP MSE RETAINING WALL NO. 4 (ALTERNATE)	

ESTIMATED RETAINING WALL NO. 5 QUANTITIES	
MSE RETAINING WALL NO. 5	6,500 SF
CIP MSE RETAINING WALL NO. 5 (ALTERNATE)	



WALL ENVELOPE FOR RETAINING WALL NO. 4
EXPOSED WALL FACE VIEW, N.T.S.



WALL ENVELOPE FOR RETAINING WALL NO. 5
EXPOSED WALL FACE VIEW, N.T.S.

PROJECT NO.: B-4490 (33727.1.1)
 CUMBERLAND COUNTY
 STATION: 11+06.00 -Y6- / 11+44.00 -Y7-
 SHEET 4 OF 11

NORTH CAROLINA
 DEPARTMENT OF TRANSPORTATION
 DIVISION OF HIGHWAYS
 GEOTECHNICAL
 ENGINEERING UNIT

RETAINING WALL NO. 4 AND NO. 5
PLAN VIEW AND
WALL ENVELOPES

REVISIONS						SHEET NO.
NO.	BY	DATE	NO.	BY	DATE	
1	-	-	3	-	-	W-4
2	-	-	4	-	-	

PREPARED BY: J. PARK	DATE: 09 / 2015
REVIEWED BY: J. BATTS	DATE: 09 / 2015