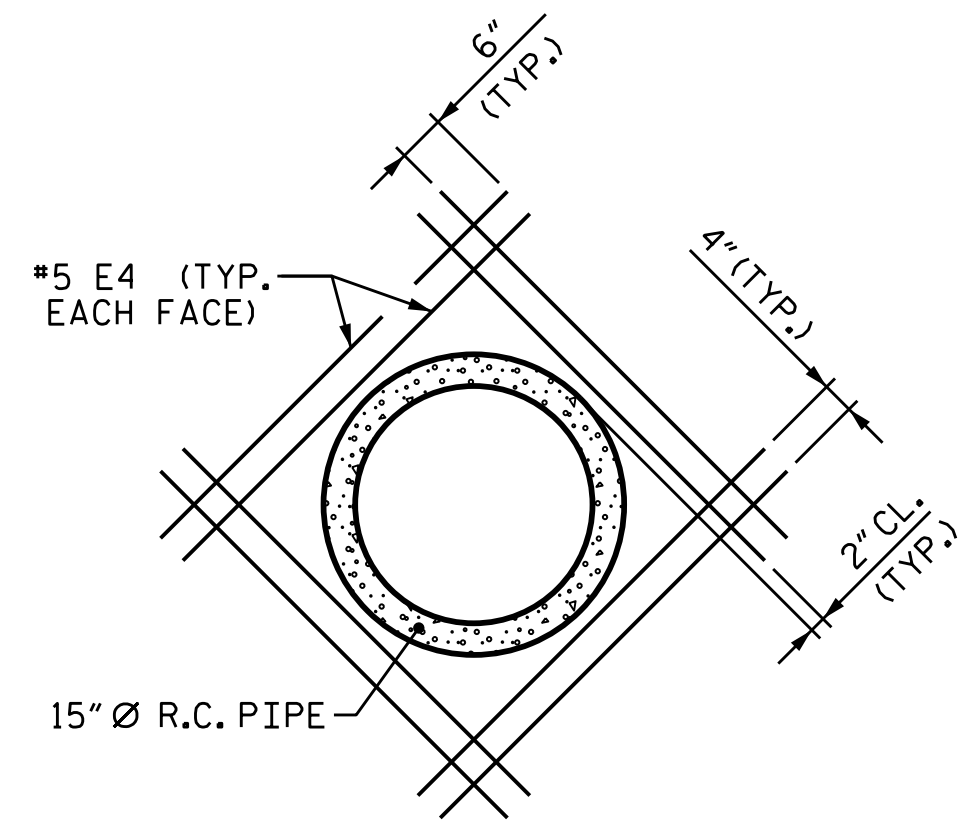
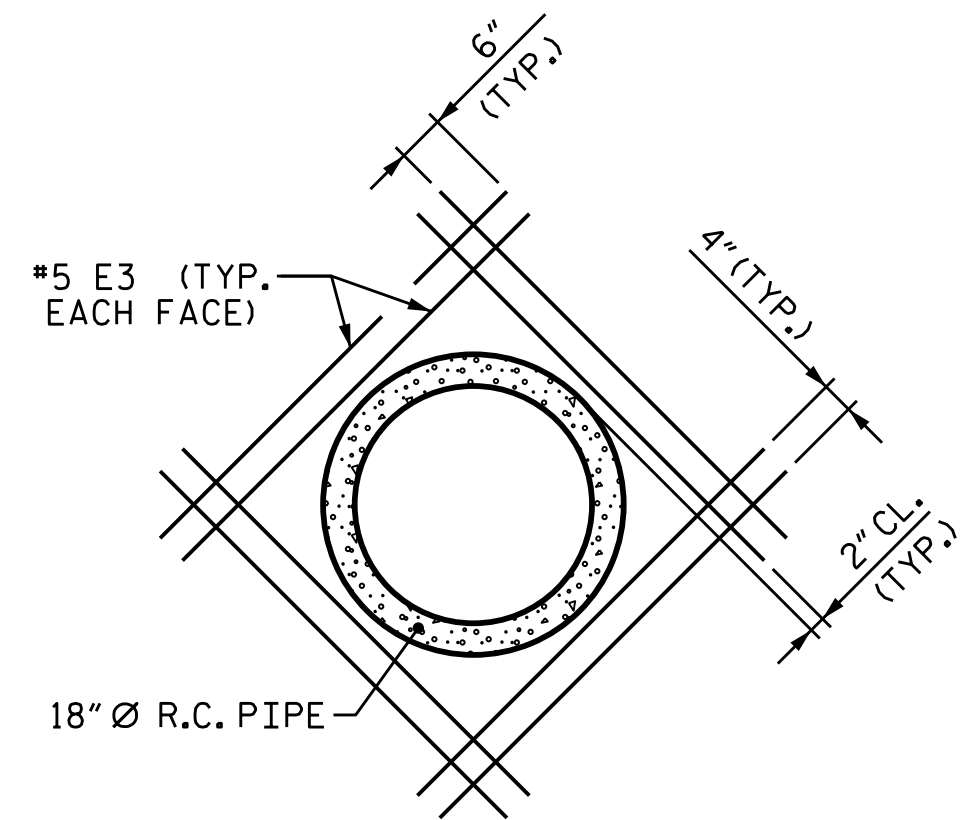


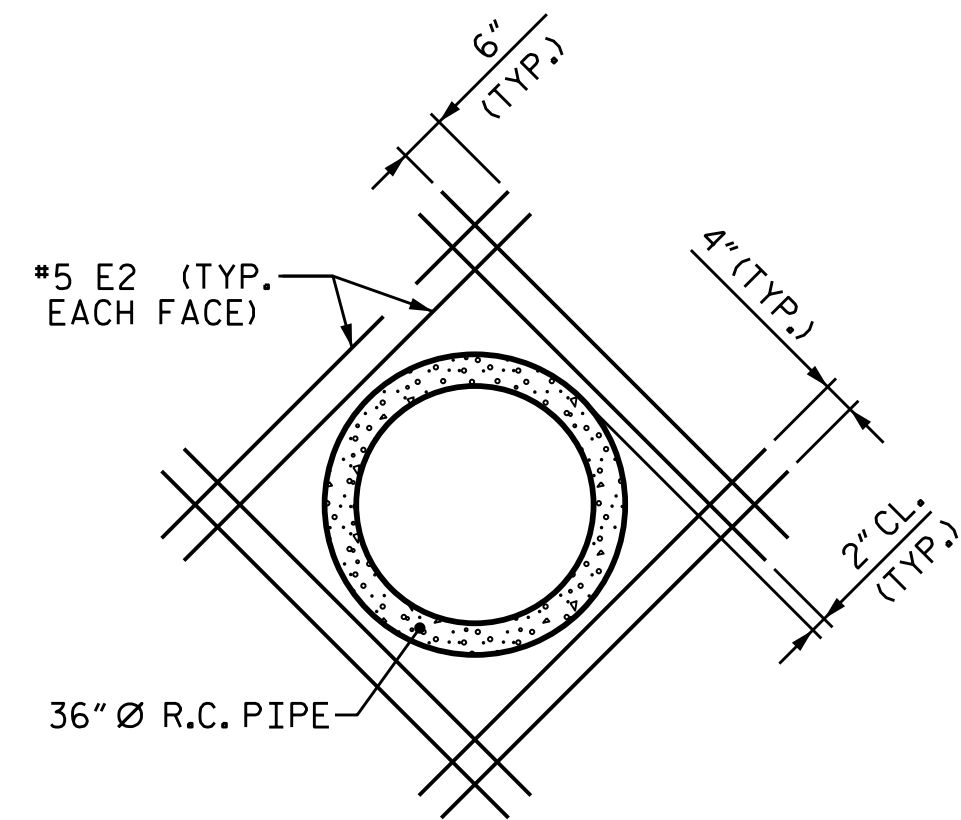
STRUCTURE QUANTITIES																	
STAGE I (PART A)			STAGE I (PART B)			STAGE II			STAGE III			STAGE IV			STAGE V		
CLASS A CONCRETE			CLASS A CONCRETE			CLASS A CONCRETE			CLASS A CONCRETE			CLASS A CONCRETE			CLASS A CONCRETE		
BARREL @ 0.983 CY/FT	CU. YDS.	130.4	BARREL @ 0.983 CY/FT	CU. YDS.	377.5	BARREL @ 3.710 CY/FT	CU. YDS.	492.5	BARREL @ 0.983 CY/FT	CU. YDS.	132.1	BARREL @ 3.710 CY/FT	CU. YDS.	2091.6	BARREL @ 1.319 CY/FT	CU. YDS.	17.1
WING, ETC.	CU. YDS.	7.1	WING, ETC.	CU. YDS.	7.5	WING, ETC.	CU. YDS.	29.0	END CURTAIN WALL & HEADWALL	CU. YDS.	6.4	END CURTAIN WALL & HEADWALL	CU. YDS.	6.4	WING, ETC.	CU. YDS.	22.6
TOTAL	CU. YDS.	137.5	TOTAL	CU. YDS.	385.0	TOTAL	CU. YDS.	521.5	TOTAL	CU. YDS.	132.1	TOTAL	CU. YDS.	2098.0	TOTAL	CU. YDS.	39.7
REINFORCING STEEL			REINFORCING STEEL			REINFORCING STEEL			REINFORCING STEEL			REINFORCING STEEL			REINFORCING STEEL		
BARREL	LBS.	21,890	BARREL	LBS.	62,752	BARREL	LBS.	62,373	BARREL	LBS.	22,036	BARREL	LBS.	241,411	BARREL	LBS.	2,943
WING, ETC.	LBS.	396	WING, ETC.	LBS.	396	WING, ETC.	LBS.	2,640	WING, ETC.	LBS.	22,036	WING, ETC.	LBS.	241,411	WING, ETC.	LBS.	2,695
TOTAL	LBS.	22,286	TOTAL	LBS.	63,148	TOTAL	LBS.	65,013	TOTAL	LBS.	22,036	TOTAL	LBS.	241,411	TOTAL	LBS.	5,638
FOUNDATION COND. MAT'L.	TONS	153	FOUNDATION COND. MAT'L.	TONS	443	FOUNDATION COND. MAT'L.	TONS	265	FOUNDATION COND. MAT'L.	TONS	155	FOUNDATION COND. MAT'L.	TONS	1149	FOUNDATION COND. MAT'L.	TONS	10



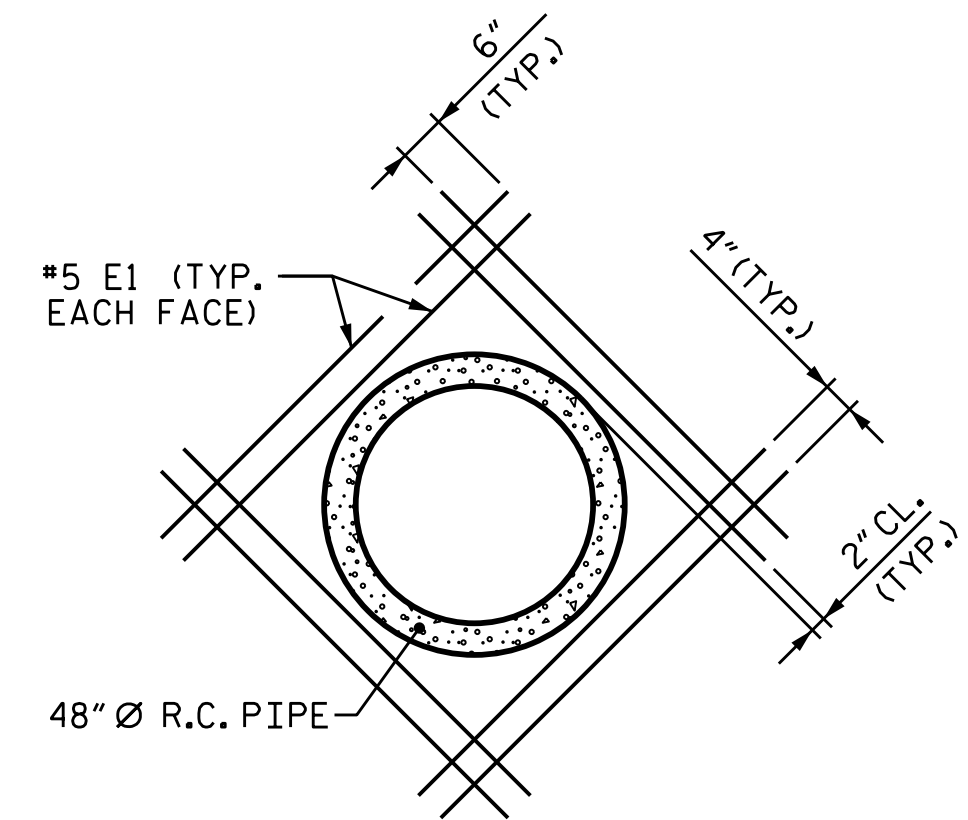
DETAIL OF REINFORCING AROUND 15" Ø PIPE



DETAIL OF REINFORCING AROUND 18" Ø PIPE



DETAIL OF REINFORCING AROUND 36" Ø PIPE



DETAIL OF REINFORCING AROUND 48" Ø PIPE

PROJECT NO. B-4490
CUMBERLAND COUNTY
STATION: 19+26.42 -L-

SHEET 15 OF 18



DocuSigned by:

F245838930BF40E...

3/29/2016

STATE OF NORTH CAROLINA
DEPARTMENT OF TRANSPORTATION
RALEIGH

TRIPLE 14 FT. X 9 FT.
CONCRETE BOX CULVERT

DRAWN BY : I.L. AVERETTE DATE : 06-15
CHECKED BY : J.P. ADAMS DATE : 08-15
DESIGN ENGINEER OF RECORD: I.L. AVERETTE DATE : 09-15

DOCUMENT NOT CONSIDERED
FINAL UNLESS ALL
SIGNATURES COMPLETED

REVISIONS						SHEET NO.	
NO.	BY:	DATE:	NO.	BY:	DATE:	C-15	
1			3			TOTAL	18
2			4			SHEETS	