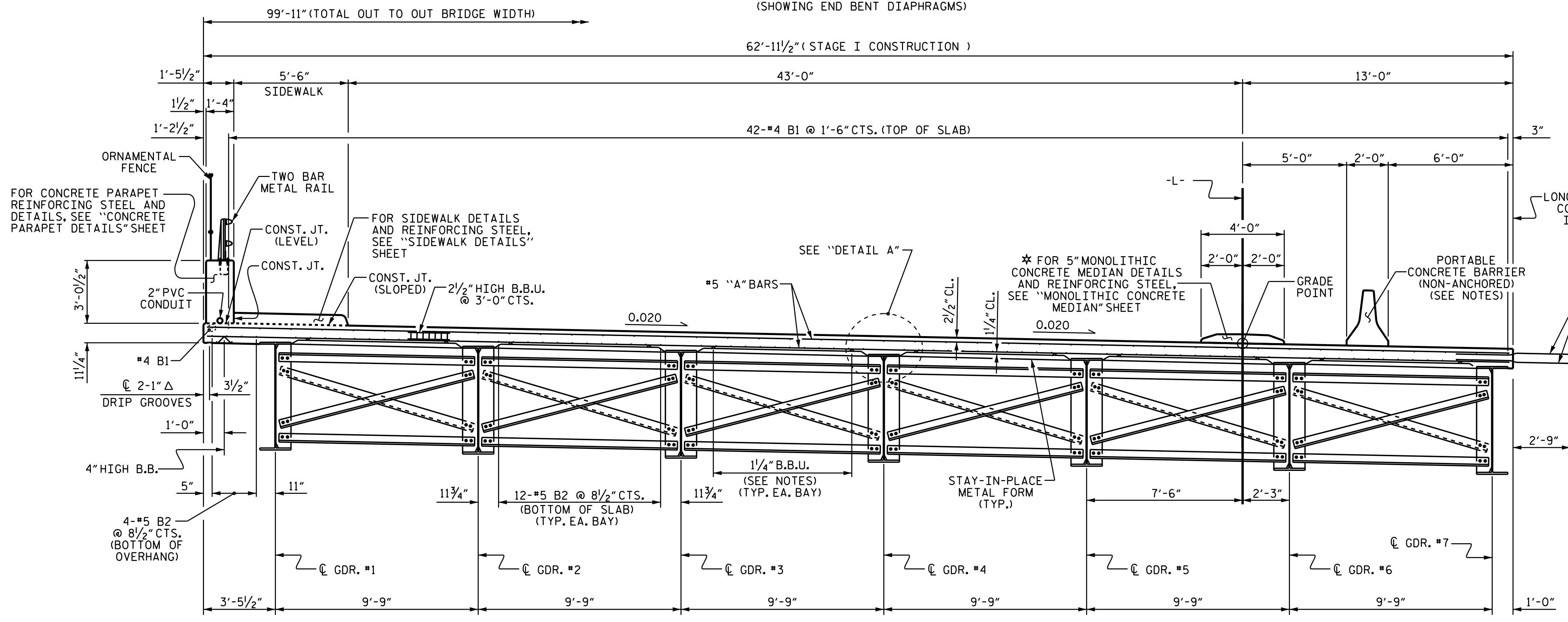


TYPICAL SECTION - STAGE I

(SHOWING END BENT DIAPHRAGMS)

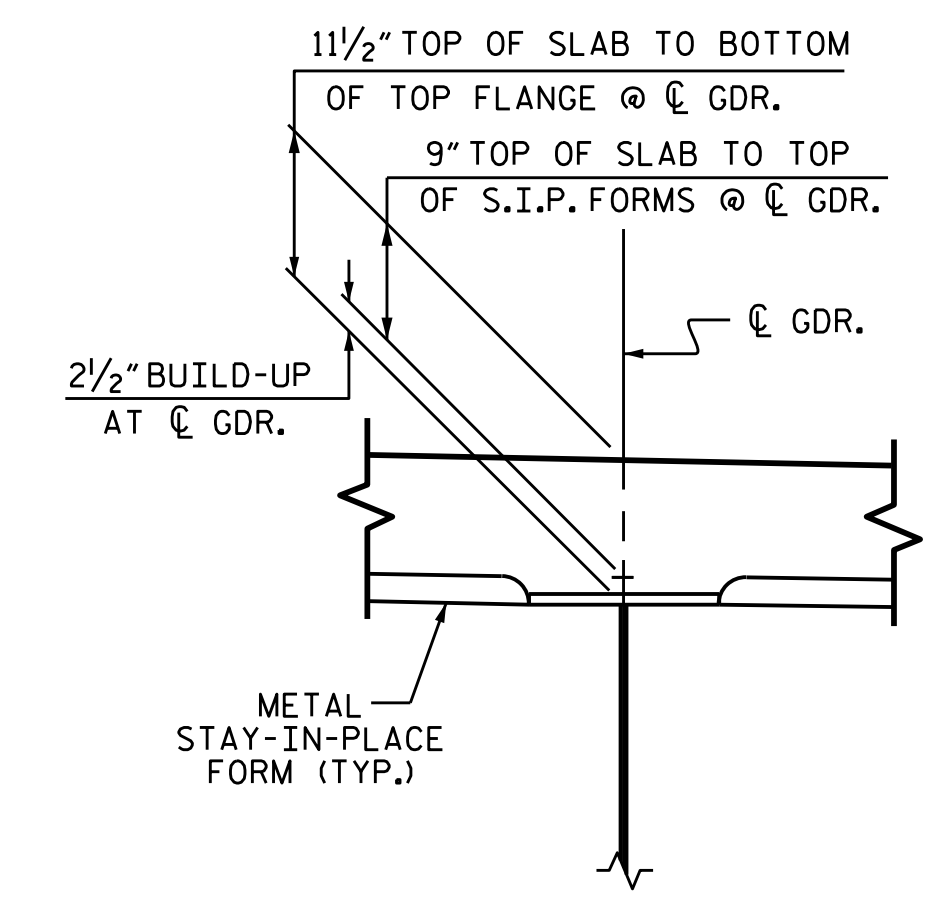


TYPICAL SECTION - STAGE I

(SHOWING INTERMEDIATE DIAPHRAGMS)

NOTES

- PROVIDE 1 1/4" HIGH BEAM BOLSTERS UPPER AT 4'-0" CTS. ATOP THE METAL STAY-IN-PLACE FORMS TO SUPPORT THE BOTTOM MAT OF 'A' BARS. WHEN USING REMOVABLE FORMS, PROVIDE CONTINUOUS HIGH CHAIRS FOR METAL DECK (C.H.C.M.) @ 4'-0" CTS. WITH A HEIGHT TO SUPPORT THE BOTTOM MAT OF 'A' BARS A CLEAR DISTANCE OF 2 1/2" ABOVE THE TOP OF THE REMOVABLE FORM.
- PREVIOUSLY CAST CONCRETE IN THE SPAN SHALL HAVE ATTAINED A MINIMUM COMPRESSIVE STRENGTH OF 3,000 PSI BEFORE ADDITIONAL CONCRETE IS CAST IN THE SPAN.
- PARAPET AND SIDEWALK IN THE SPAN SHALL NOT BE CAST UNTIL ALL SLAB CONCRETE IN THE SPAN HAS BEEN CAST AND HAS REACHED A MINIMUM COMPRESSIVE STRENGTH OF 3,000 PSI.
- *6 D1 DOWELS SHALL BE PLACED IN THE SAME HORIZONTAL PLANE AS THE TOP AND BOTTOM SLAB REINFORCING STEEL.
- THE CONTRACTOR MAY, WHEN NECESSARY, PROPOSE A SCHEME FOR AVOIDING INTERFERENCE BETWEEN METAL STAY-IN-PLACE FORM SUPPORTS OR FORMS AND BEAM/GIRDER STIFFENERS OR CONNECTOR PLATES. THE PROPOSAL SHALL BE INDICATED, AS APPROPRIATE, ON EITHER THE STEEL WORKING DRAWINGS OR THE METAL STAY-IN-PLACE FORM WORKING DRAWINGS.
- THE #5 "G" BARS MAY BE SHIFTED SLIGHTLY AS NECESSARY TO CLEAR REINFORCING STEEL.
- FOR EXPANSION JOINT SEALS, SEE SPECIAL PROVISIONS.
- SEE TRAFFIC CONTROL PLANS FOR LOCATION AND PAY LIMITS OF THE PORTABLE CONCRETE BARRIER.
- ALL REINFORCING STEEL IN PARAPETS, END POSTS, SIDEWALKS AND CONCRETE MEDIAN SHALL BE EPOXY COATED.
- FOR ORNAMENTAL FENCE, SEE SPECIAL PROVISIONS.



DETAIL "A"

PROJECT NO. B-4490
CUMBERLAND COUNTY
 STATION: 35+23.40 -L-

SHEET 1 OF 2



DocuSigned by:
 3/29/2016

STATE OF NORTH CAROLINA
 DEPARTMENT OF TRANSPORTATION
 RALEIGH
 SUPERSTRUCTURE
 TYPICAL SECTION
 STAGE I

DRAWN BY : I.L. AVERETTE DATE : 12-14
 CHECKED BY : J.P. ADAMS DATE : 07-15
 DESIGN ENGINEER OF RECORD : I.L. AVERETTE DATE : 09-15

DOCUMENT NOT CONSIDERED
 FINAL UNLESS ALL
 SIGNATURES COMPLETED

REVISIONS						SHEET NO.
NO.	BY:	DATE:	NO.	BY:	DATE:	S-48
1			3			TOTAL SHEETS
2			4			84