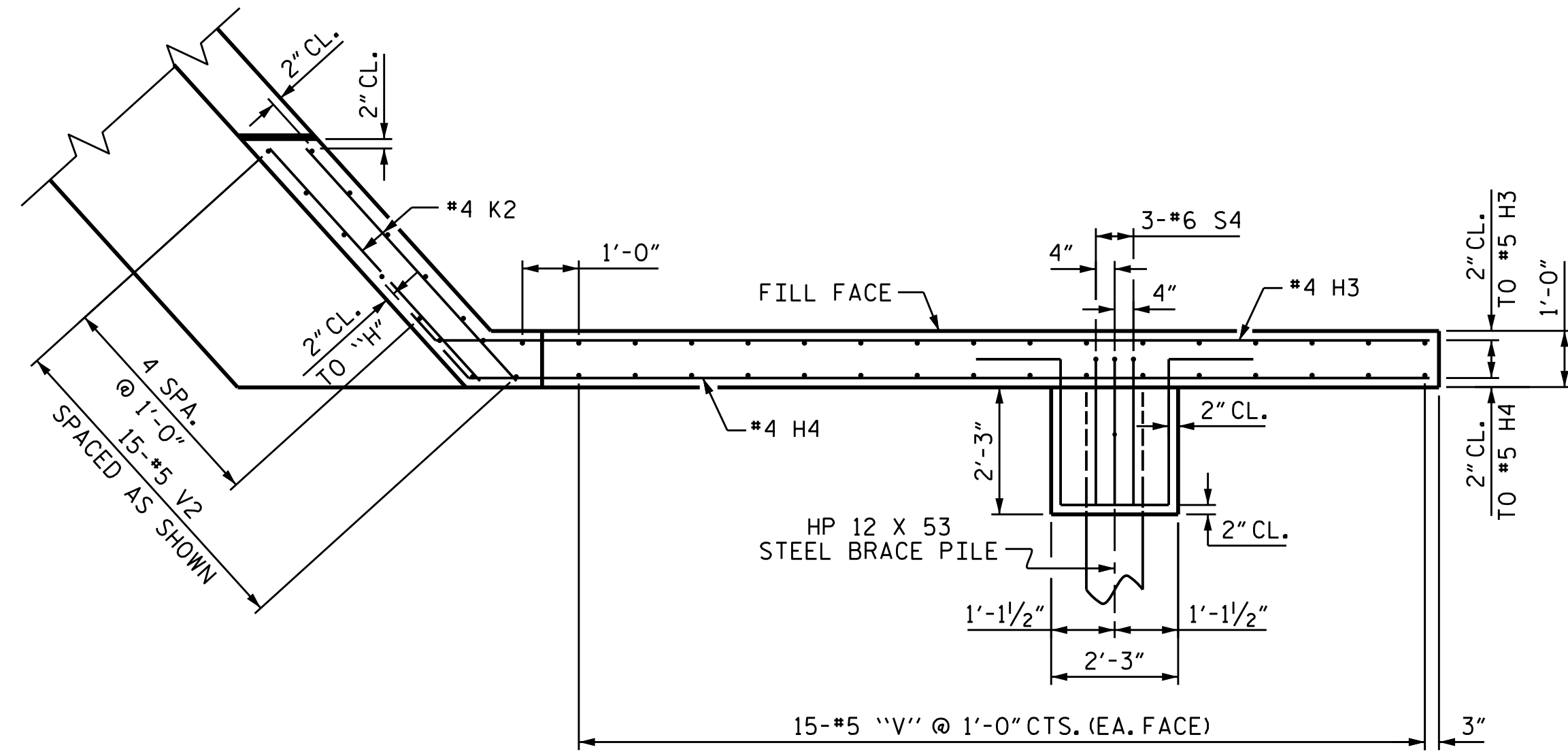
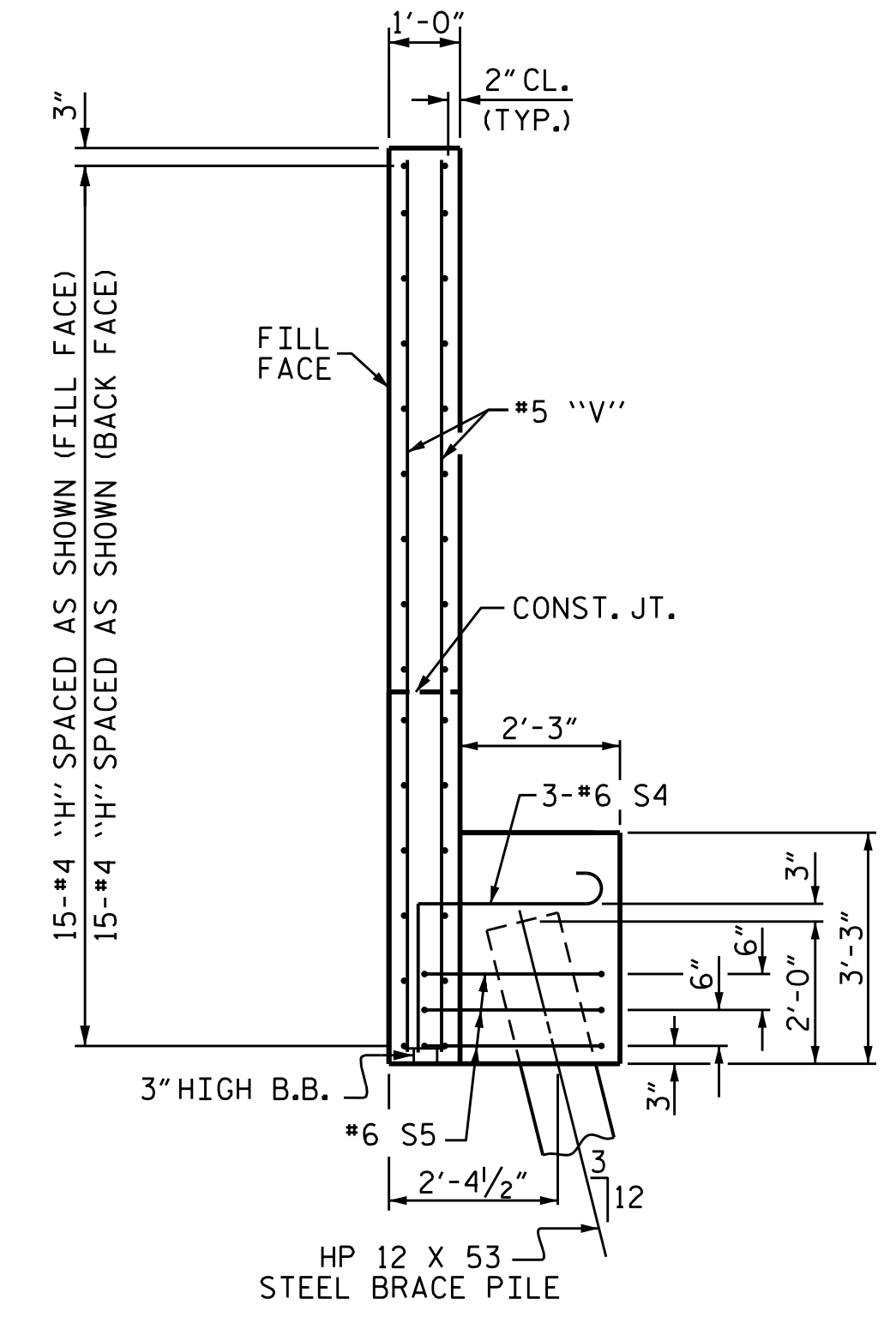


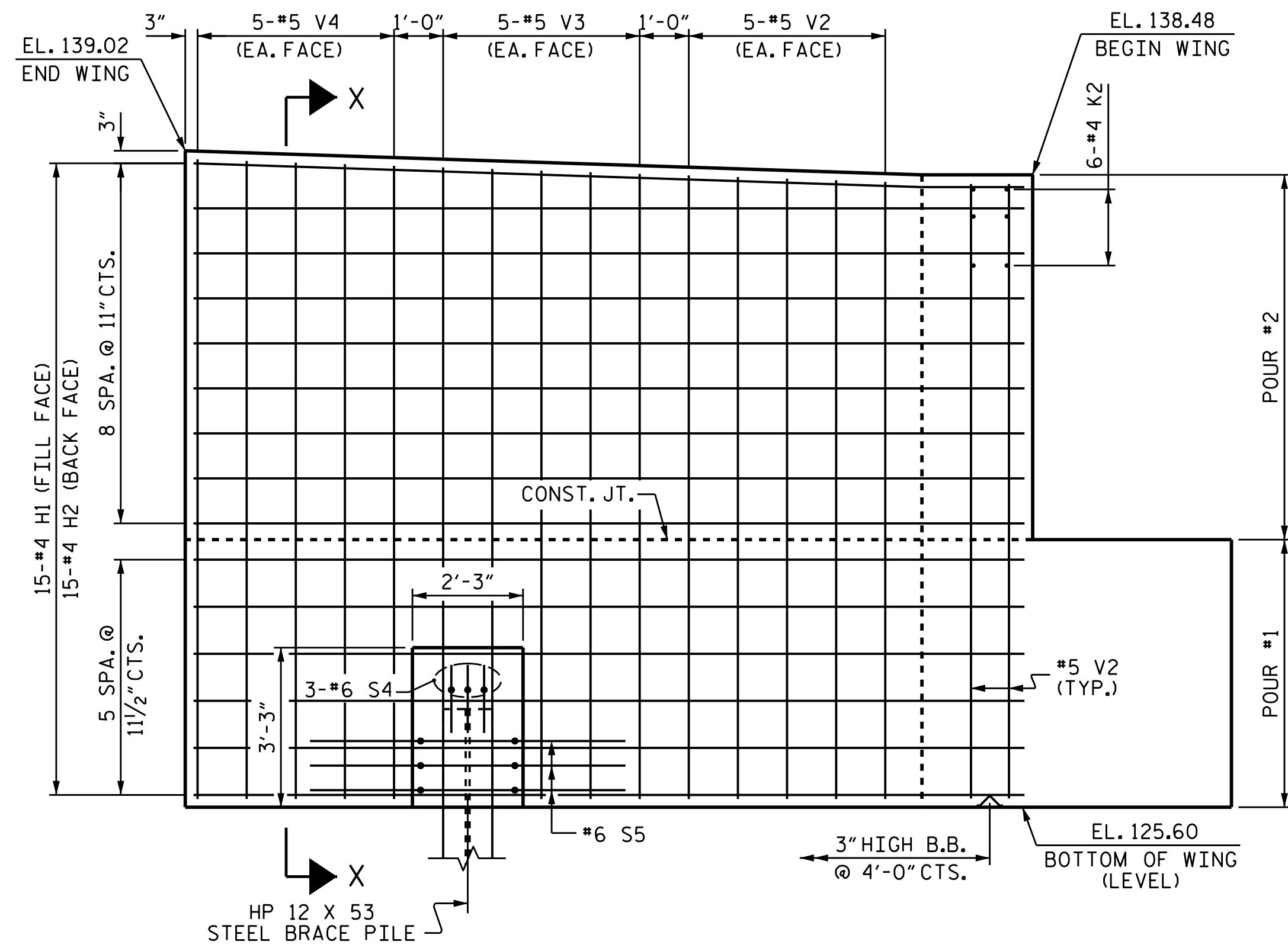
PLAN OF LEFT WING



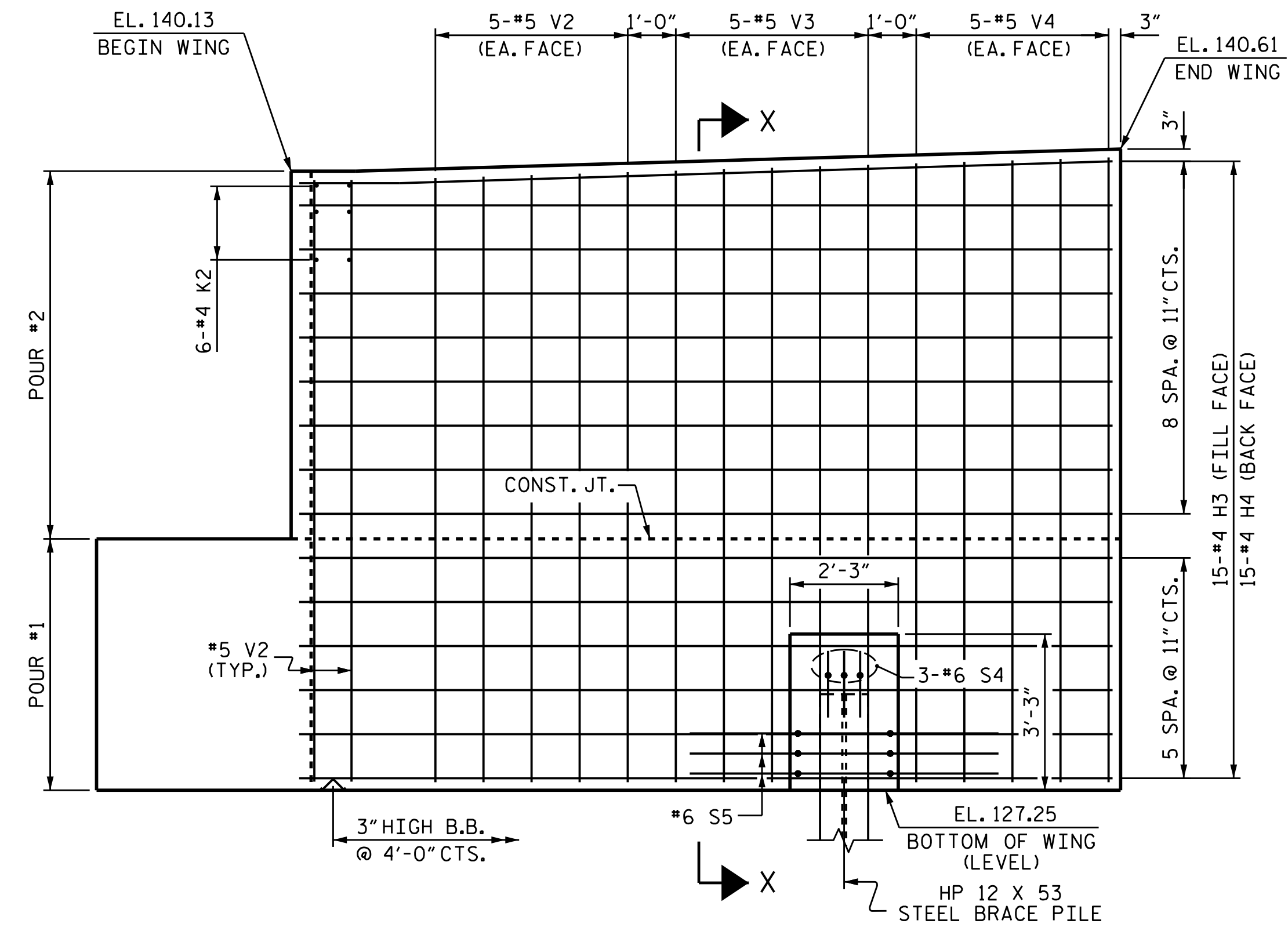
PLAN OF RIGHT WING



SECTION X-X



ELEVATION OF LEFT WING



ELEVATION OF RIGHT WING

DOCUMENT NOT CONSIDERED FINAL UNLESS ALL SIGNATURES COMPLETED

PROJECT NO. B-4490  
 CUMBERLAND COUNTY  
 STATION: 29+57.01 -L-

SHEET 3 OF 4

STATE OF NORTH CAROLINA  
 DEPARTMENT OF TRANSPORTATION  
 RALEIGH  
 SUBSTRUCTURE  
 END BENT 2



REVISIONS						SHEET NO.	
NO.	BY:	DATE:	NO.	BY:	DATE:	S-38	
1			3			TOTAL SHEETS 84	
2			4				

DRAWN BY : A. SORSENGINH DATE : 3/2015  
 CHECKED BY : J.P. ADAMS DATE : 8/2015  
 DESIGN ENGINEER OF RECORD : A. SORSENGINH DATE : 9/2015