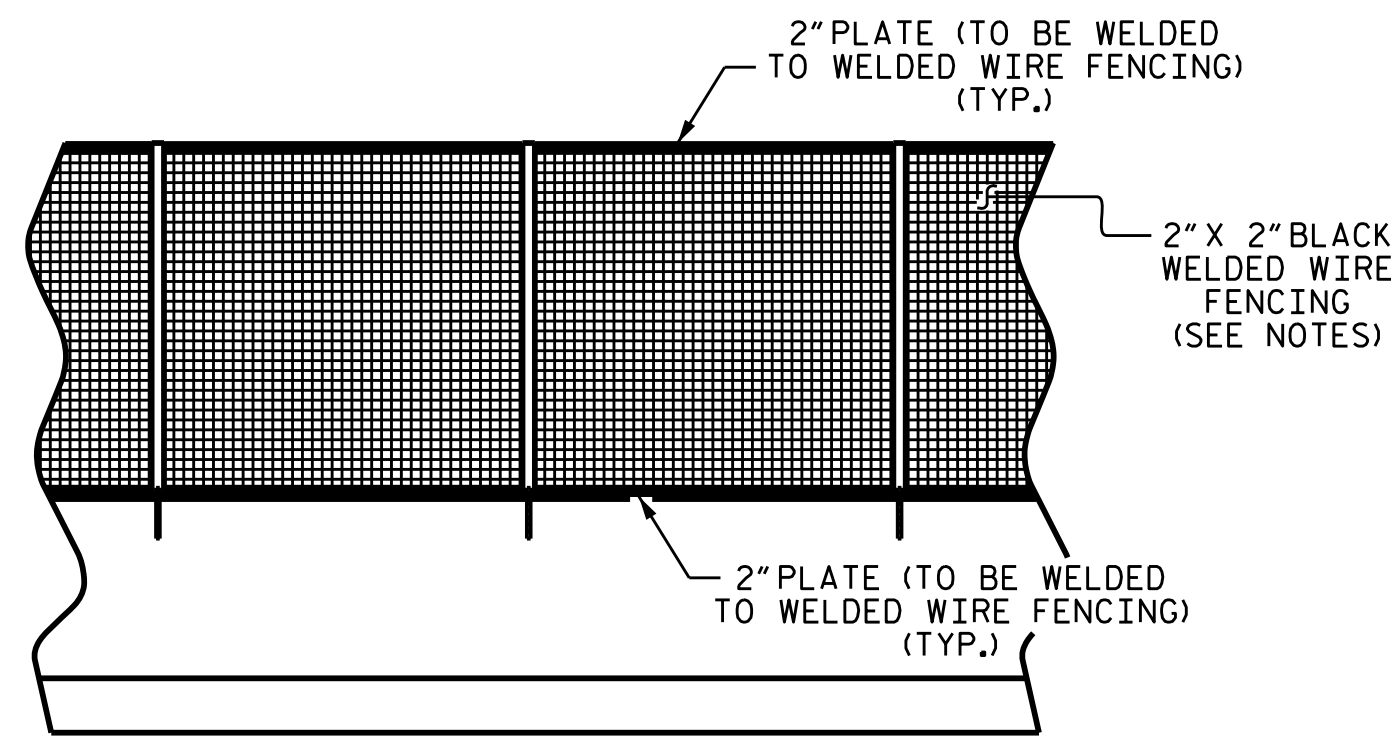


**NOTES**

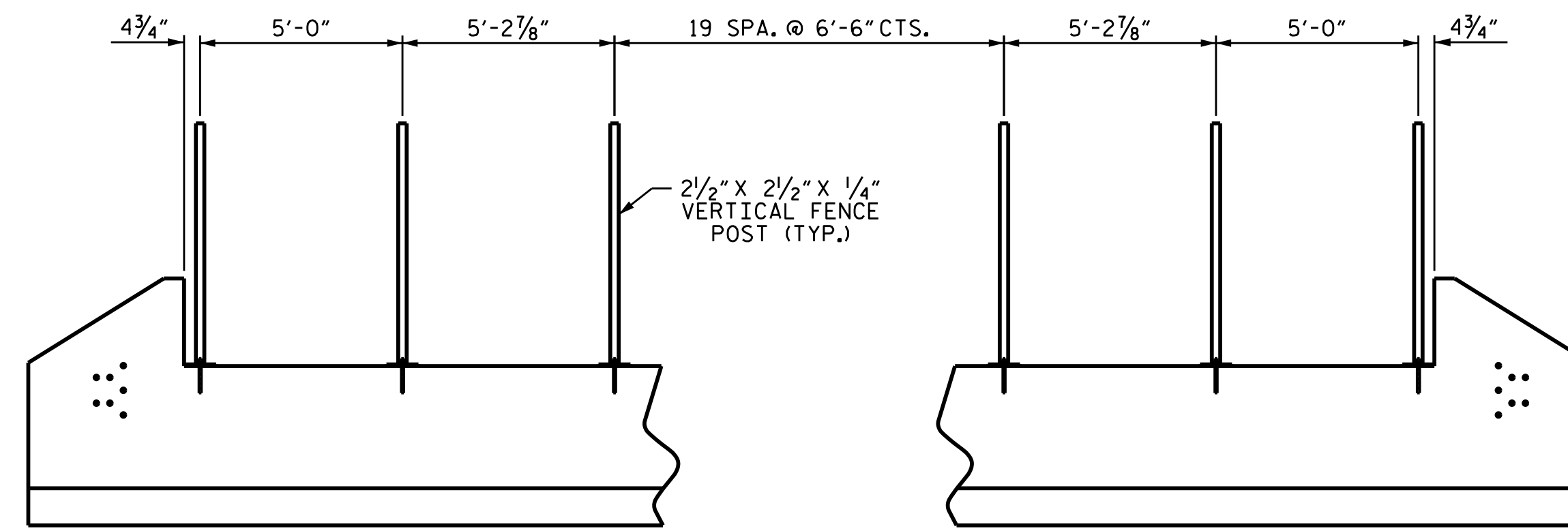
ORNAMENTAL FENCE SHALL BE 2" X 2" BLACK WELDED WIRE OR APPROVED EQUAL.  
 ORNAMENTAL FENCE, VERTICAL FENCE POSTS, 2" PLATES, AND BASE PLATES SHALL BE BLACK.  
 ALL BOLTS SHALL BE HILTI 7/8" Ø HAS-E HDG ANCHOR ROD WITH HILTI HIT HY 200 (7/8" MIN. EMBEDMENT) OR APPROVED EQUAL.  
 POST SHALL BE SPACED TO BE A MINIMUM OF 1'-6" FROM BARRIER RAIL EXPANSION JOINT.  
 FOR ORNAMENTAL FENCE, SEE SPECIAL PROVISIONS.  
 AFTER A SHADE OF BLACK HAS BEEN SELECTED FOR THE FENCING, THE CONTRACTOR SHALL SUBMIT A SAMPLE OF COMPATIBLE EXTERIOR ACRYLIC HOUSE PAINT TO THE ENGINEER. THIS PAINT SHALL MATCH THE FENCING COLOR AS CLOSELY AS POSSIBLE. AFTER ERECTION OF THE FENCING, ALL EXPOSED ANCHOR BOLTS, NUTS, WASHERS, MACHINE SCREWS, CAP SCREWS, BOLTS, ATTACHMENT BRACKETS, HOLD-DOWN PLATES, AND BUILT UP ANGLES SHALL BE COATED WITH TWO COATS OF THIS PAINT. FENCE COMPONENTS SHALL BE PAINTED AFTER GALVANIZATIONS IN ACCORDANCE WITH SECTION 442 OF THE STANDARD SPECIFICATIONS.  
 ADHERE TO THE APPLICABLE REQUIREMENTS OF SECTION 1074 OF THE STANDARD SPECIFICATIONS.  
 POSTS, BASE PLATES, AND CONNECTOR PLATES SHALL MEET THE REQUIREMENTS FOR AASHTO M270 GRADE 50 AND SHALL BE GALVANIZED IN ACCORDANCE WITH THE STANDARD SPECIFICATIONS.

BOLTS SHALL CONFORM TO THE REQUIREMENTS OF ASTM A307 AND NUTS SHALL CONFORM TO THE REQUIREMENTS OF AASHTO M291. BOLTS, NUTS, AND WASHERS SHALL BE GALVANIZED. AT THE CONTRACTOR'S OPTION, STAINLESS STEEL BOLTS, NUTS, AND WASHERS MAY BE USED AS AN ALTERNATE FOR THE GALVANIZED BOLTS, NUTS, AND WASHERS. THEY SHALL CONFORM TO OR EXCEED THE MECHANICAL REQUIREMENTS OF ASTM A307. THE USE OF THIS ALTERNATE SHALL BE APPROVED BY THE ENGINEER.  
 WIRE MESH FENCE SHALL CONFORM TO THE REQUIREMENTS OF ASTM F2453 TYPE 2.  
 THE CONTRACTOR SHALL VERIFY THE DIMENSIONS AND POST SPACINGS IN THE FIELD PRIOR TO FABRICATION AND INSTALLATION OF FENCE.



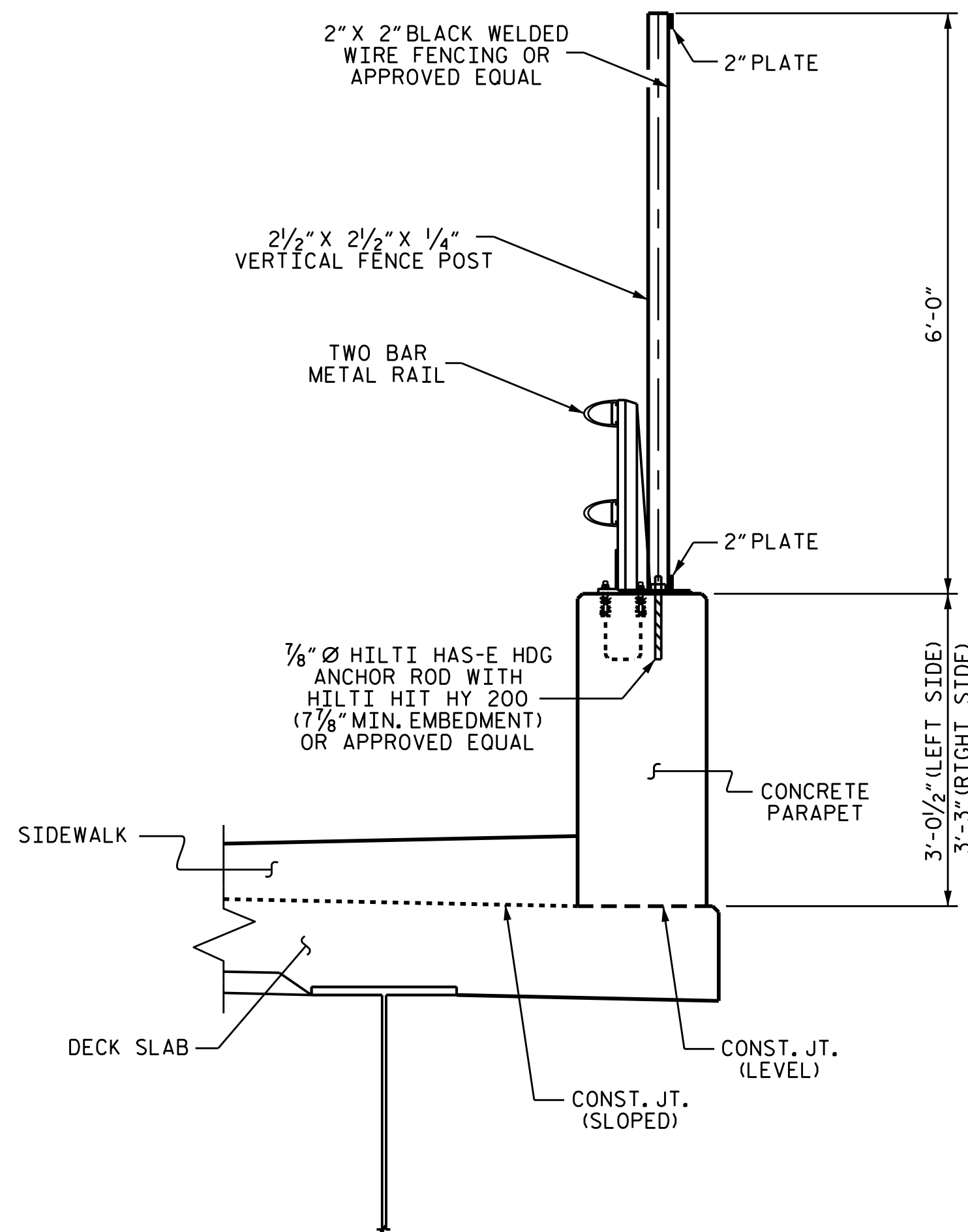
**PARTIAL ELEVATION**

SHOWING WELDED WIRE FENCE DETAILS  
 STAR DETAIL NOT SHOWN FOR CLARITY. FOR STAR DETAIL, SEE "CONCRETE PARAPET STAR DETAIL" SHEET

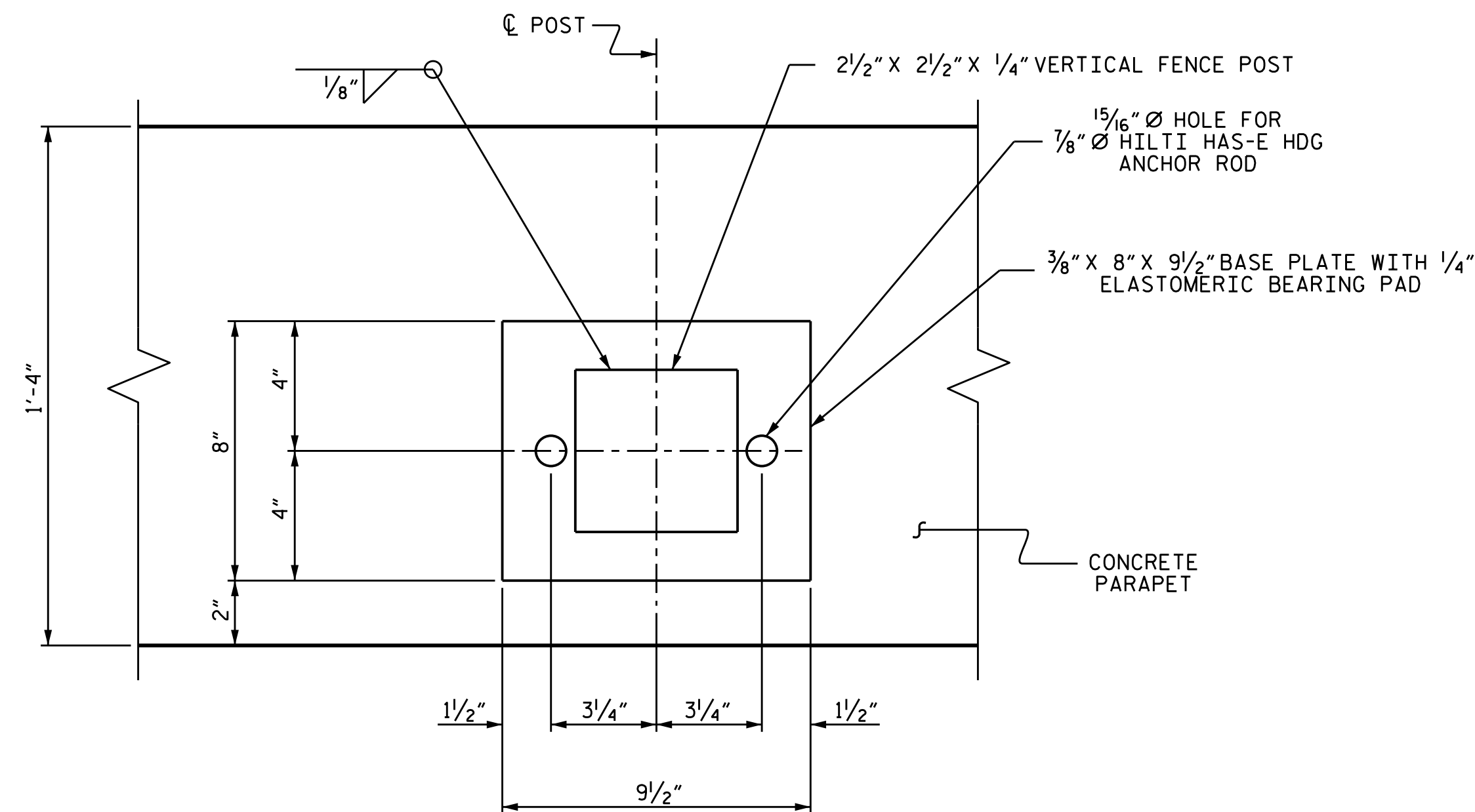


**PARTIAL ELEVATION**

SHOWING ORNAMENTAL FENCE POST LOCATIONS (WELDED WIRE NOT SHOWN)  
 STAR DETAIL NOT SHOWN FOR CLARITY. FOR STAR DETAIL, SEE "CONCRETE PARAPET STAR DETAIL" SHEET



**SECTION THRU FENCE**



**BASE PLATE DETAIL**

PAY LENGTH = 287.96 LIN. FT.

PROJECT NO. B-4490  
CUMBERLAND COUNTY  
 STATION: 29+57.01 -L-



DocuSigned by:  
 3/29/2016

STATE OF NORTH CAROLINA  
 DEPARTMENT OF TRANSPORTATION  
 RALEIGH  
 SUPERSTRUCTURE  
 ORNAMENTAL FENCE  
 DETAILS

DRAWN BY : A. SORSENGINH DATE : 8/2015  
 CHECKED BY : J.P. ADAMS DATE : 8/2015  
 DESIGN ENGINEER OF RECORD: A. SORSENGINH DATE : 9/2015

DOCUMENT NOT CONSIDERED  
 FINAL UNLESS ALL  
 SIGNATURES COMPLETED

REVISIONS						SHEET NO.	
NO.	BY:	DATE:	NO.	BY:	DATE:	S-23	
1			3			TOTAL SHEETS	
2			4			84	