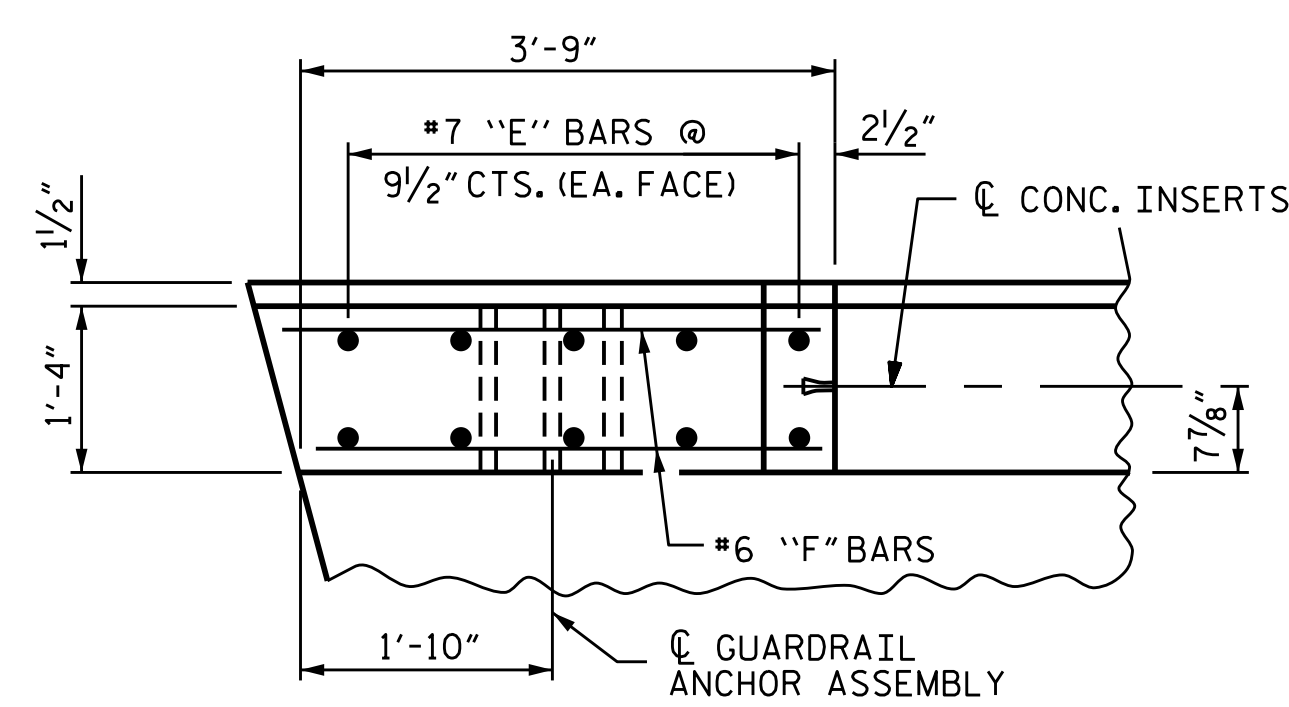
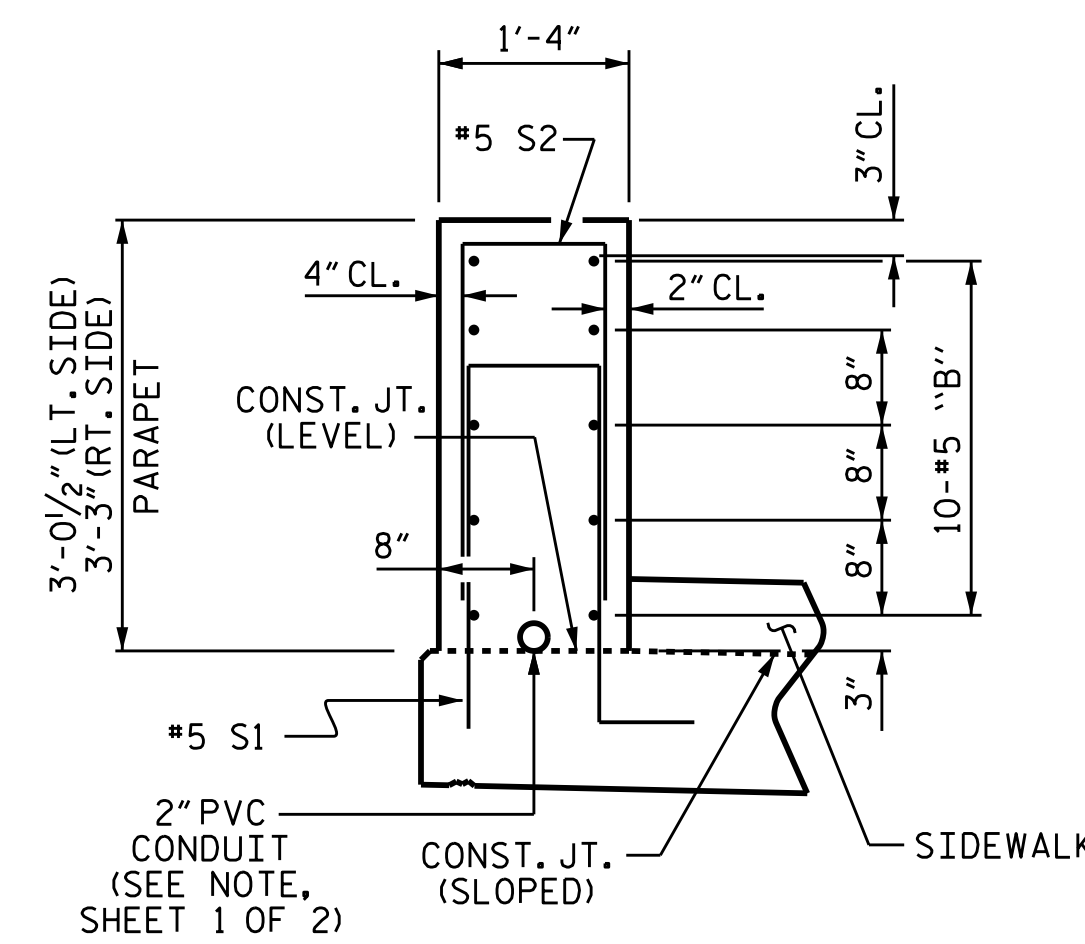


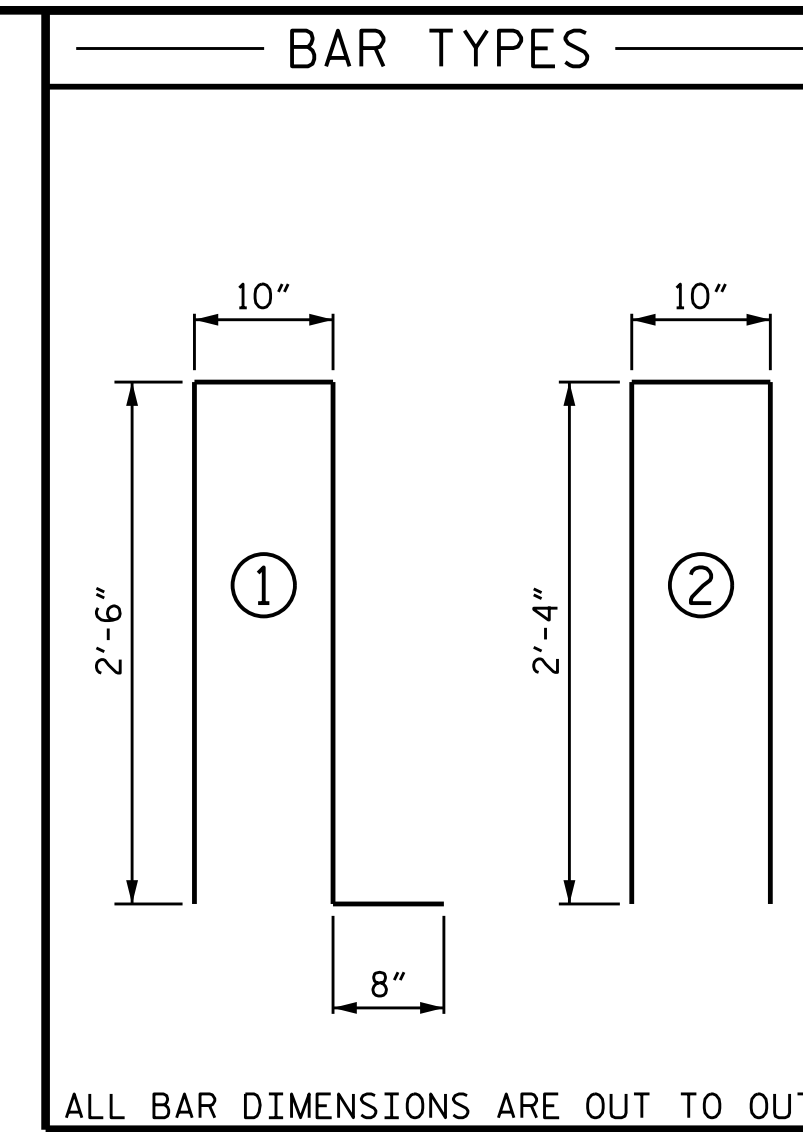
PLAN OF PARAPET



PLAN OF END POST

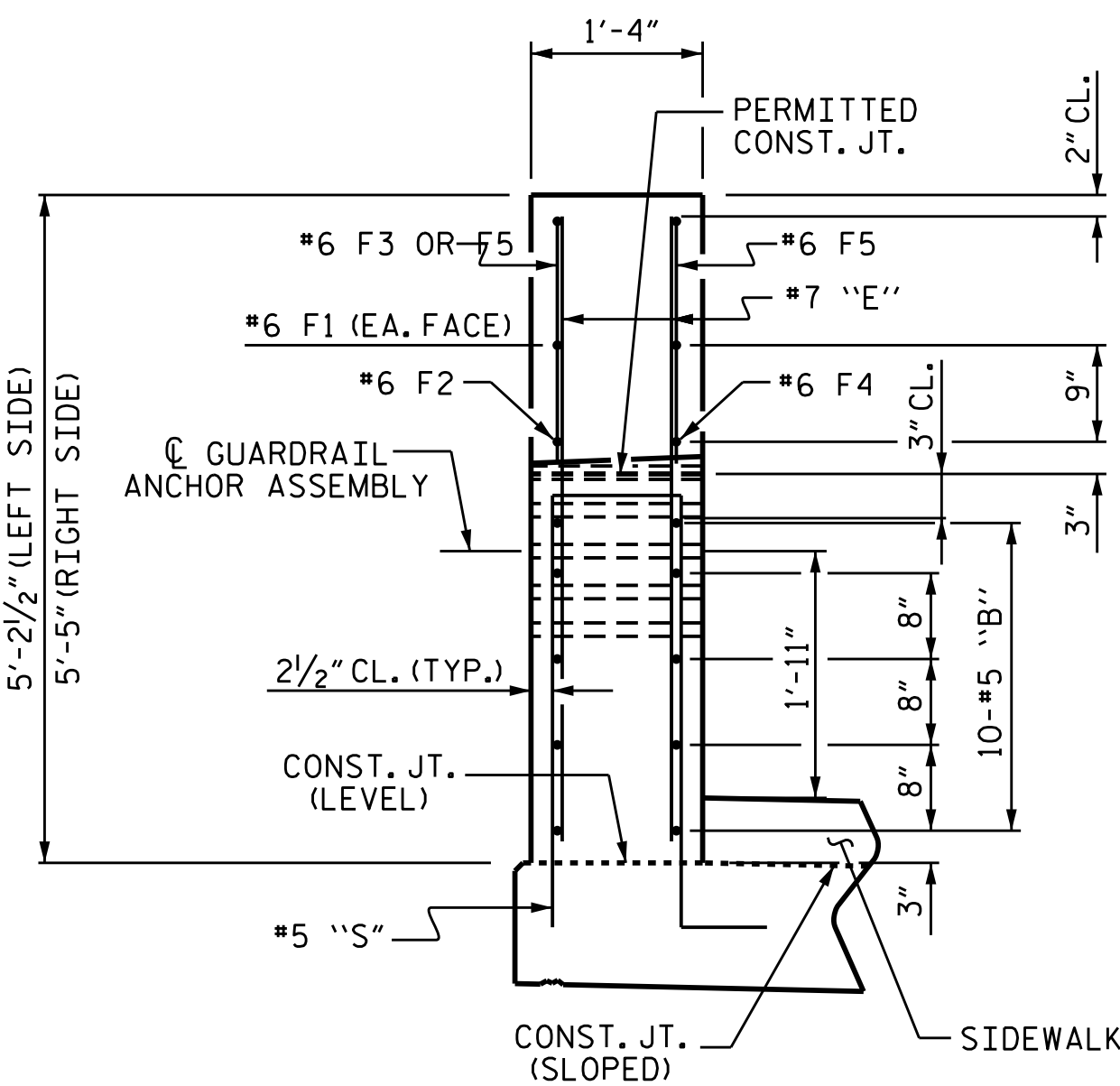


SECTION THROUGH PARAPET

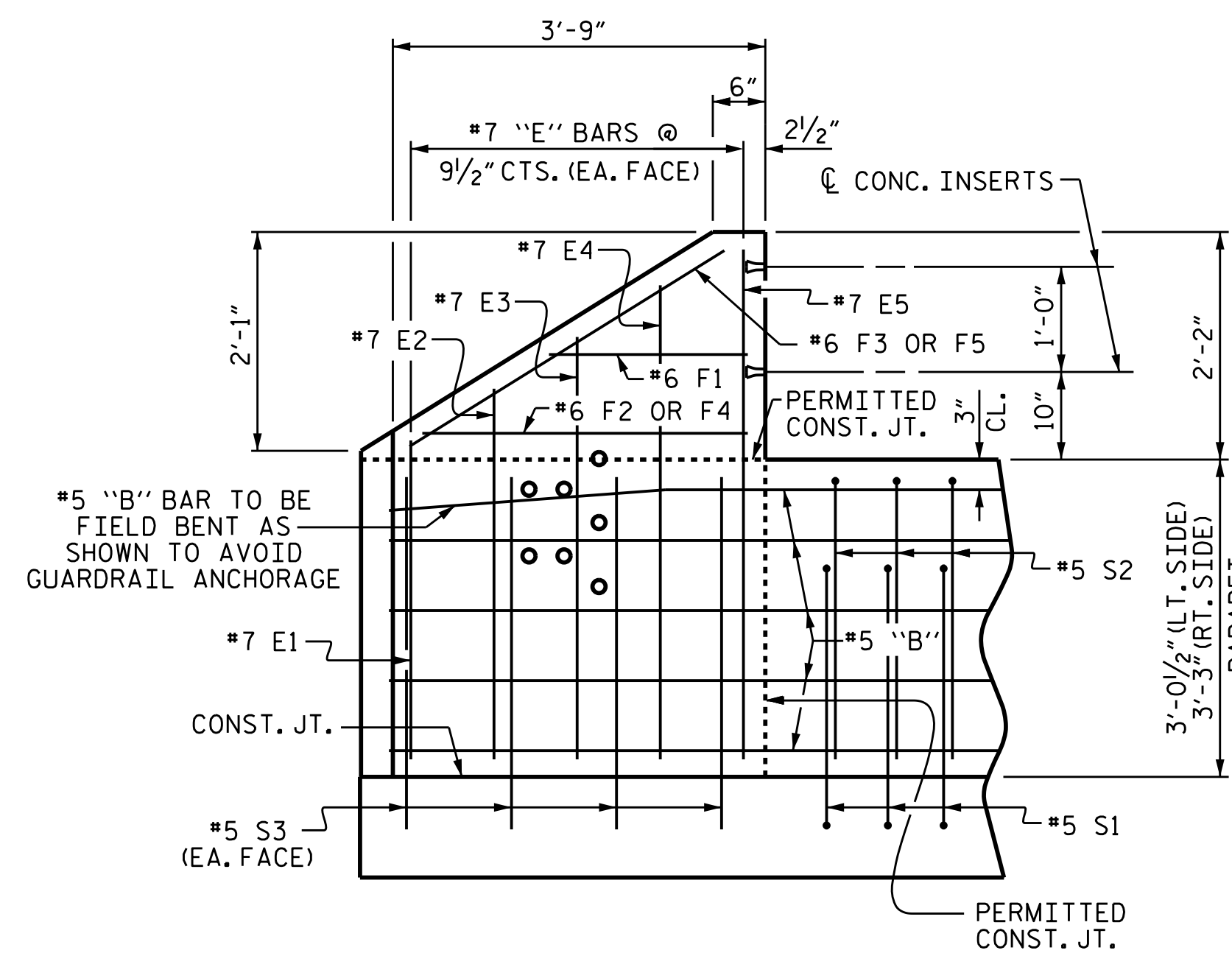


ALL BAR DIMENSIONS ARE OUT TO OUT

BILL OF MATERIAL					
2 PARAPETS AND 4 END POSTS					
BAR	NO.	SIZE	TYPE	LENGTH	WEIGHT
* B1	80	#5	STR	25'-8"	2142
* B2	80	#5	STR	14'-1"	1175
* E1	8	#7	STR	3'-0"	49
* E2	8	#7	STR	3'-6"	57
* E3	8	#7	STR	4'-0"	65
* E4	8	#7	STR	4'-6"	74
* E5	8	#7	STR	4'-10"	79
* F1	8	#6	STR	2'-2"	26
* F2	4	#6	STR	3'-5"	21
* F3	4	#6	STR	3'-2"	19
* F4	4	#6	STR	4'-2"	25
* F5	4	#6	STR	3'-11"	24
* S1	290	#5	1	6'-6"	1966
* S2	290	#5	2	5'-6"	1664
* S3	32	#5	STR	3'-6"	117
* EPOXY COATED REINF. STEEL					7503 LBS.
CLASS AA CONCRETE					49.0 C.Y.
1'-4" X 3'-0 1/2" CONCRETE PARAPET					153.48 L.F.
1'-4" X 3'-3" CONCRETE PARAPET					153.48 L.F.

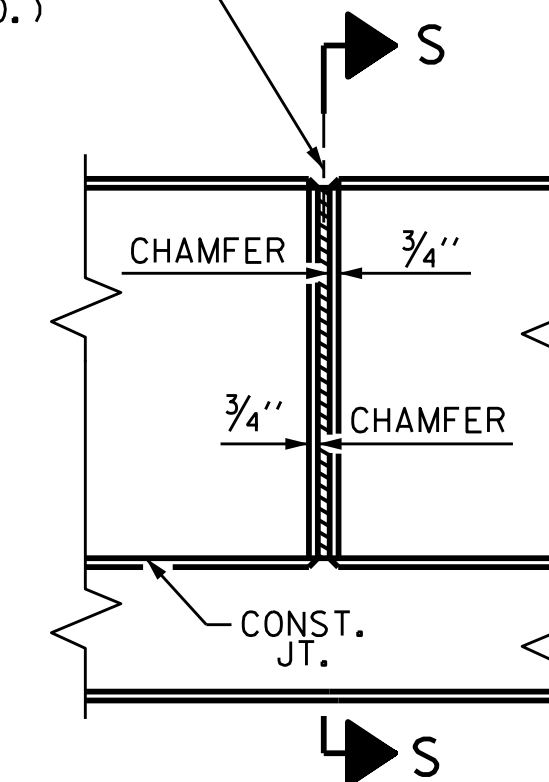


END VIEW

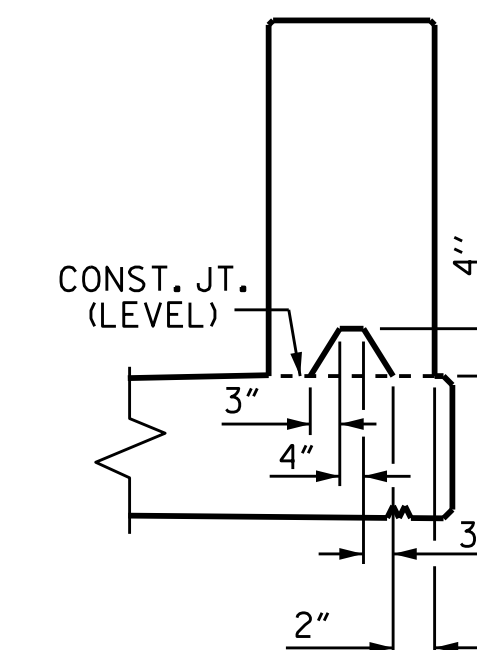


ELEVATION

@ 1/2" EXP. JT. MAT'L HELD IN PLACE WITH GALVANIZED NAILS. (NOTE: OMIT EXP. JT. MAT'L WHEN SLIP FORM IS USED.)



ELEVATION AT EXPANSION JOINTS
BARRIER RAIL DETAILS



SECTION S-S
AT DAM IN OPEN JOINT
(THIS IS TO BE USED ONLY WHEN SLIP FORM IS USED)

PARAPET AND END POST FOR TWO BAR RAIL

PROJECT NO. B-4490
CUMBERLAND COUNTY
 STATION: 29+57.01 -L-

SHEET 2 OF 2



DocuSigned by: *W. Alford*
 P2458389308F40E...

3/29/2016

STATE OF NORTH CAROLINA DEPARTMENT OF TRANSPORTATION RALEIGH					
SUPERSTRUCTURE CONCRETE PARAPET DETAILS					
REVISIONS					SHEET NO.
NO.	BY:	DATE:	NO.	BY:	DATE:
1			3		
2			4		
					S-21
					TOTAL SHEETS 84

DRAWN BY : A. SORSENGINH DATE : 5/2015
 CHECKED BY : J.P. ADAMS DATE : 6/2015
 DESIGN ENGINEER OF RECORD: A. SORSENGINH DATE : 9/2015

DOCUMENT NOT CONSIDERED
 FINAL UNLESS ALL
 SIGNATURES COMPLETED