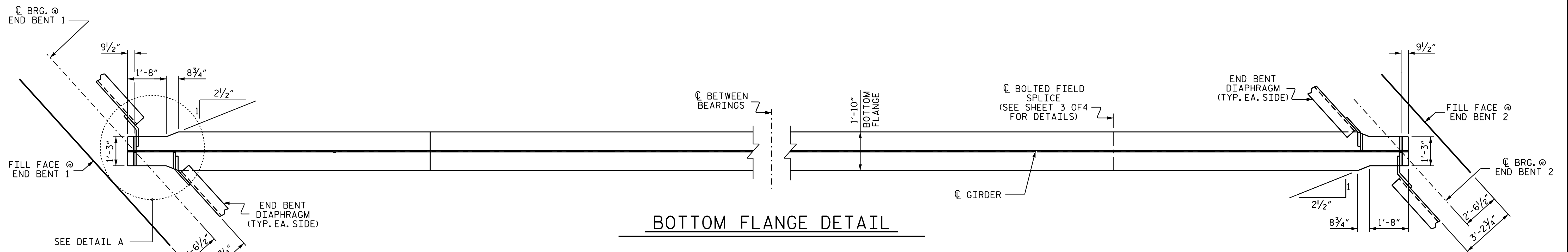
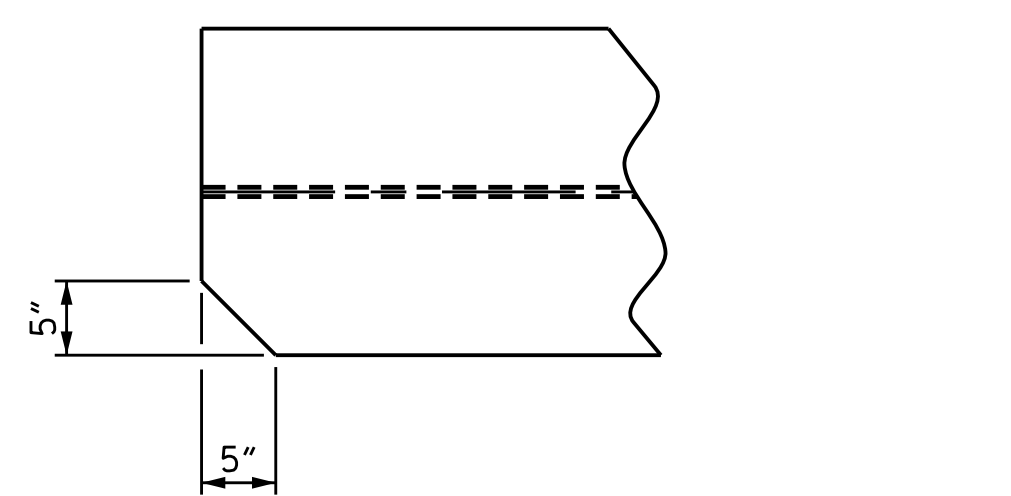


GIRDER ELEVATION

** FOR SHEAR STUDS IN THIS AREA, SEE BOLTED FIELD SPLICE DETAILS, SHEET 3 OF 4.

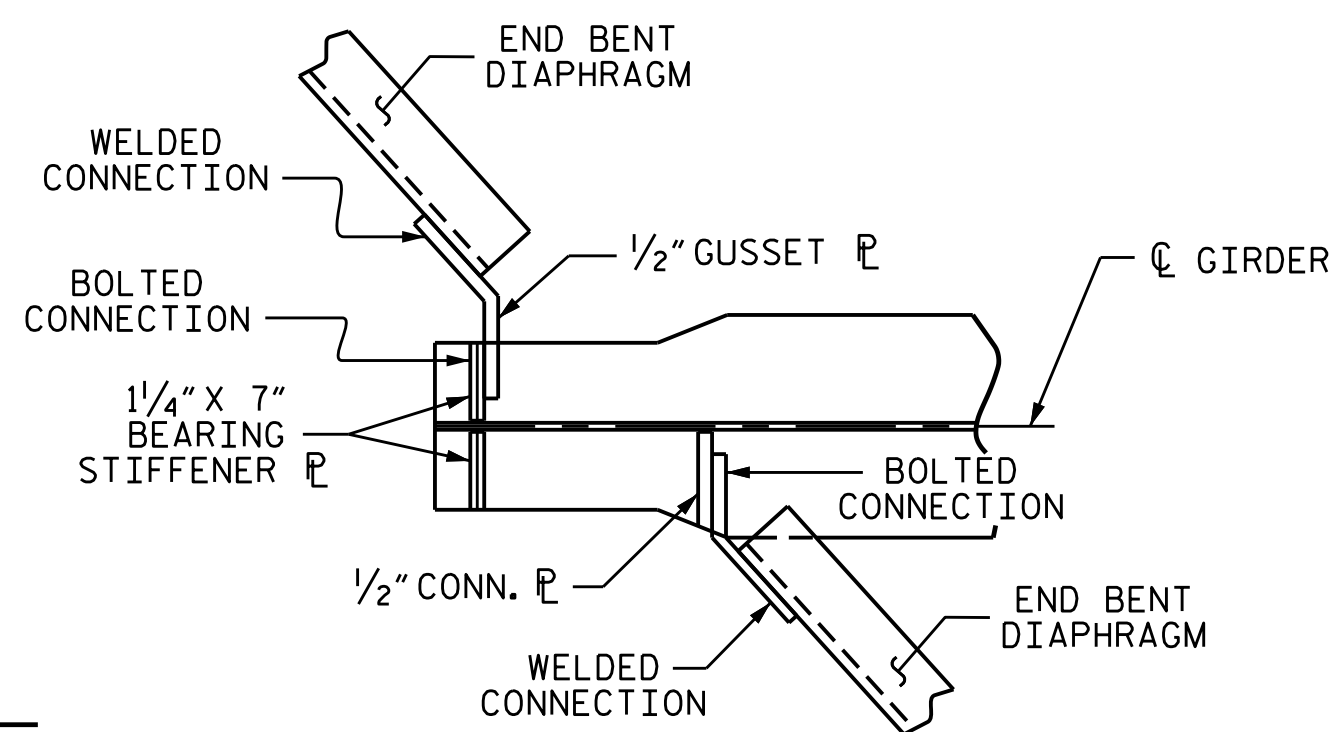


BOTTOM FLANGE DETAIL



TOP FLANGE CLIP DETAIL

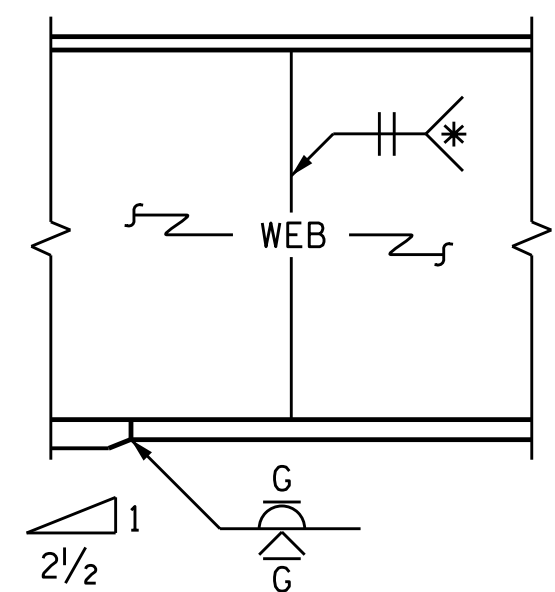
TOP FLANGE @ END BENT 1 SHOWN, OTHER END SIMILAR BY ROTATION



DETAIL A

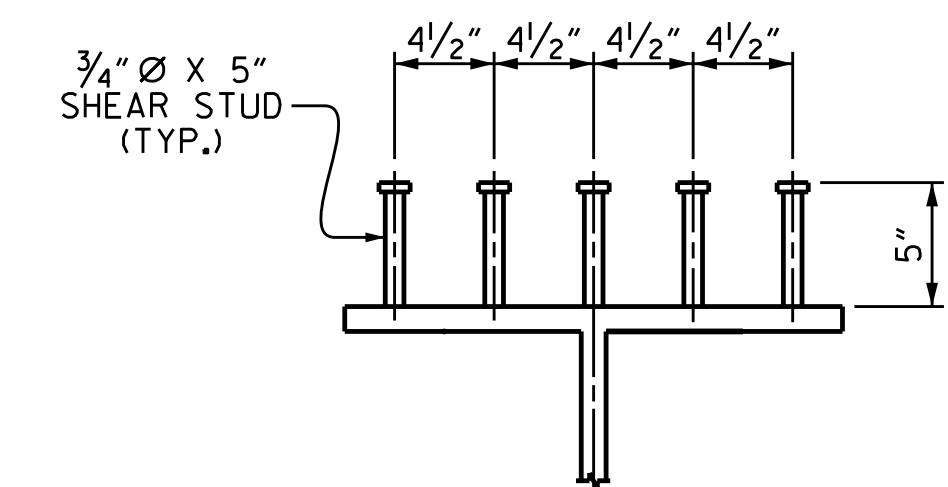
(EACH END SIMILAR)

* GRIND SMOOTH AND FLUSH ON OUTER FACE OF EXTERIOR GIRDERS



ELEVATION

TYPICAL FLANGE AND WEB BUTT JOINT



3/29/2016

PROJECT NO. B-4490
CUMBERLAND COUNTY
 STATION: 29+57.01 -L-

SHEET 1 OF 4

STATE OF NORTH CAROLINA
 DEPARTMENT OF TRANSPORTATION
 RALEIGH
 SUPERSTRUCTURE
 STRUCTURAL STEEL
 DETAILS

DRAWN BY :	A. SORSENGINH	DATE :	5/2015
CHECKED BY :	J.P. ADAMS	DATE :	6/2015
DESIGN ENGINEER OF RECORD:	A. SORSENGINH	DATE :	9/2015

DOCUMENT NOT CONSIDERED FINAL UNLESS ALL SIGNATURES COMPLETED

REVISIONS						SHEET NO.
NO.	BY:	DATE:	NO.	BY:	DATE:	S-9
1			3			TOTAL SHEETS
2			4			84