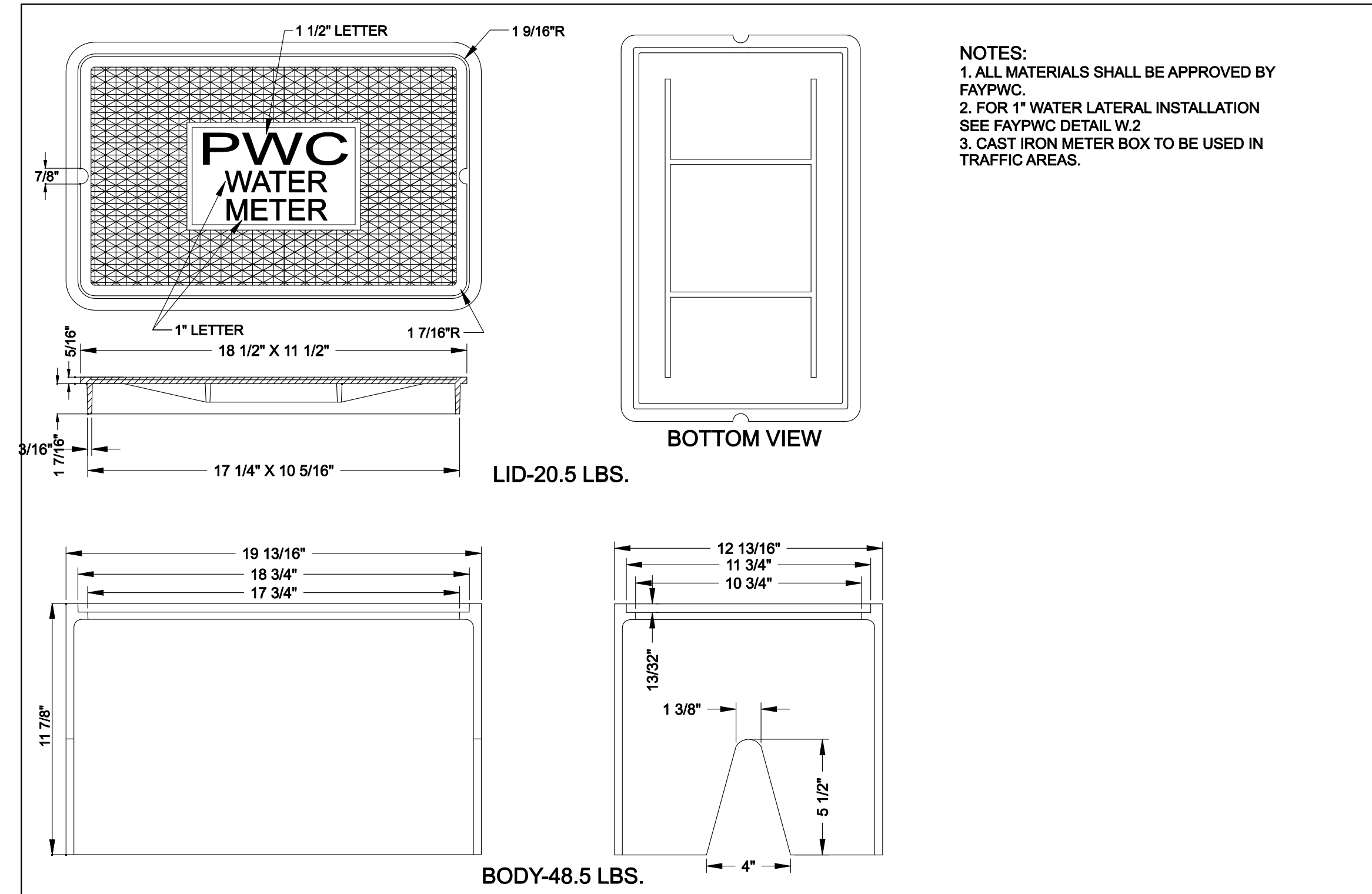


DOCUMENT NOT CONSIDERED FINAL
UNLESS ALL SIGNATURES COMPLETED

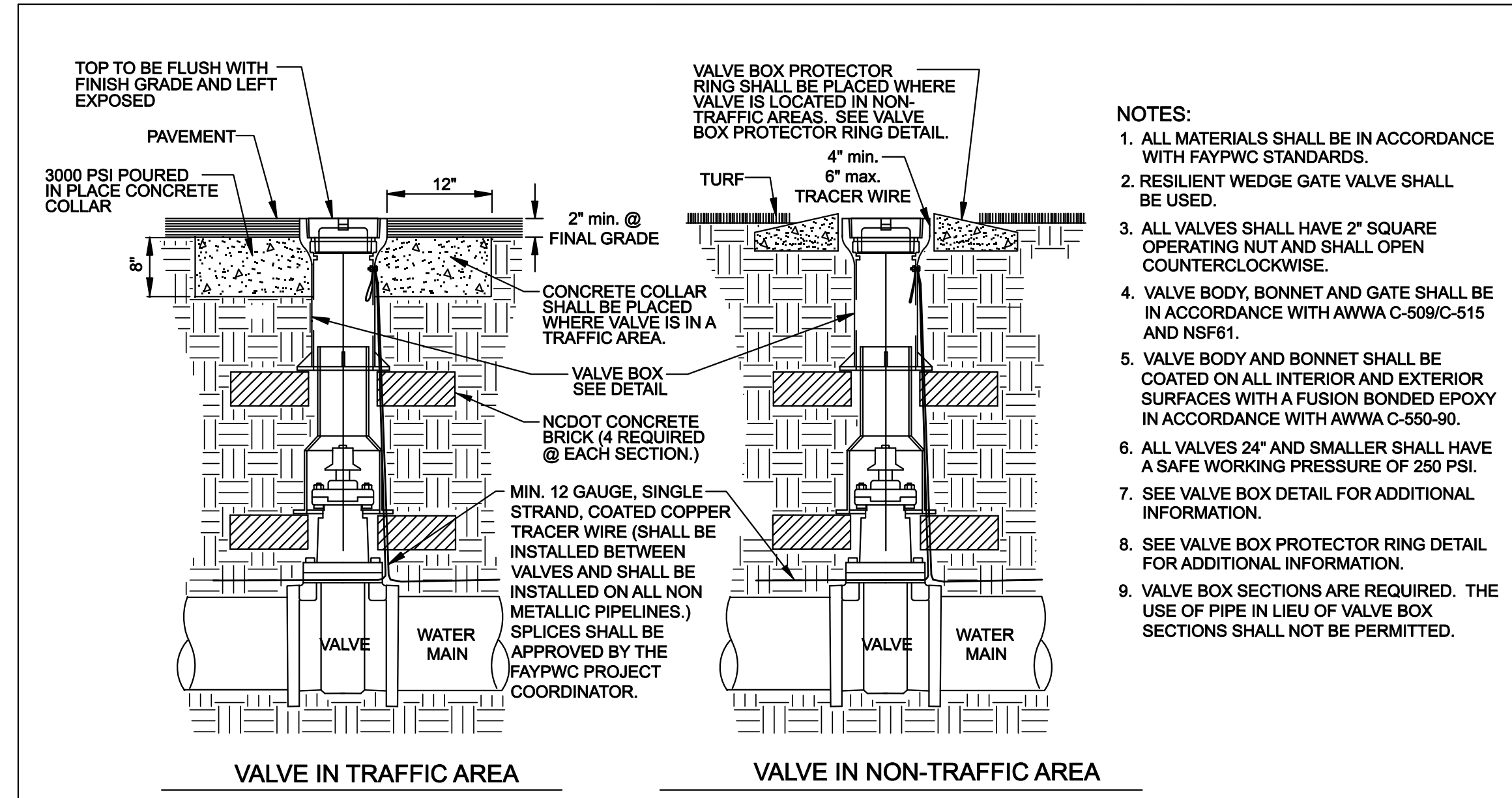
PROJECT REFERENCE NO. B-4490	SHEET NO. UC-3C
DESIGNED BY:	
DRAWN BY: NONE	
CHECKED BY:	
APPROVED BY:	
REVISED:	
NORTH CAROLINA DEPARTMENT OF TRANSPORTATION	
UTILITIES ENGINEERING SEC. PHONE: (919) 707-6690 FAX: (919) 250-4151	

DAVID POETSCH
Professional Engineer
License No. 7727
State of North Carolina



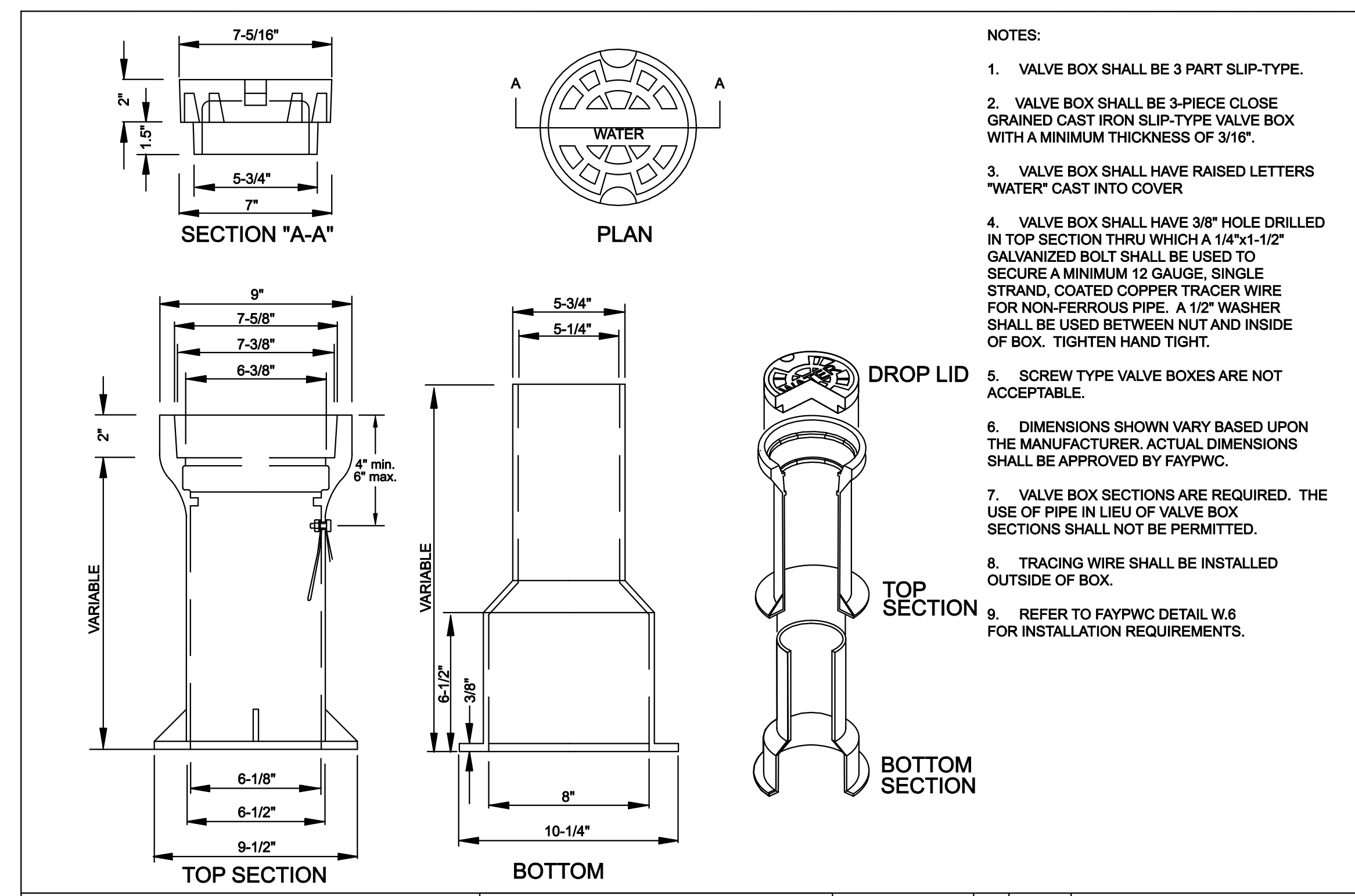
1-INCH CAST IRON METER BOX & COVER N.T.S.		PUBLIC WORKS COMMISSION FAYETTEVILLE, N.C.			NO.	DATE	REVISION
SHEET NO. 1 OF 1	DWG. NO. W.4B DATE: JULY 01, 2015	DWG. BY: FAYPWC APPROVED BY: J.E.G.	WATER RESOURCES DEPARTMENT		1	3/10	CHANGED BOX & LID DIMENSIONS

2015-W4B METERBOX&LID.dwg



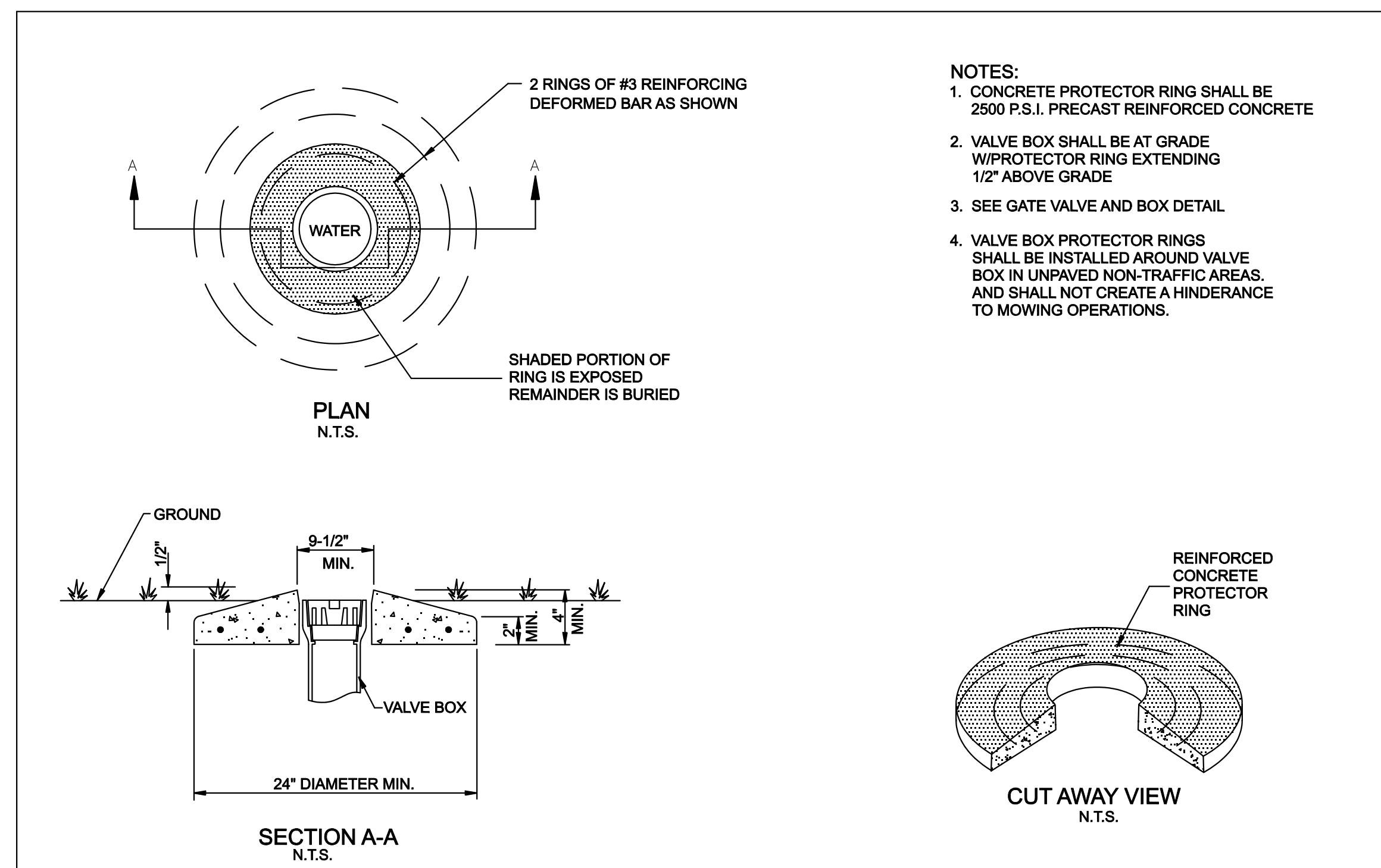
GATE VALVE N.T.S.		PUBLIC WORKS COMMISSION FAYETTEVILLE, N.C.			NO.	DATE	REVISION
SHEET NO. 1 OF 1	DWG. NO. W.6 DATE: JULY 01, 2015	DWG. BY: FAYPWC APPROVED BY: J.E.G.	WATER RESOURCES ENGINEERING DEPARTMENT		1	6/06	ADDED NOTE #9
					2	7/09	CLARIFIED NOTES

2015-W6 GATEVALVE.dwg



VALVE BOX N.T.S.		PUBLIC WORKS COMMISSION FAYETTEVILLE, N.C.			NO.	DATE	REVISION
SHEET NO. 1 OF 1	DWG. NO. W.7 DATE: JULY 01, 2015	DWG. BY: FAYPWC APPROVED BY: J.E.G.	WATER RESOURCES ENGINEERING DEPARTMENT		1	7/09	ADDED NOTES 7, 8 & CLARIFIED NOTES
					2	1/14	REVISED NOTES 1, 4, 6

2015-W7 VALVEBOX.dwg



VALVE BOX PROTECTOR RING N.T.S.		PUBLIC WORKS COMMISSION FAYETTEVILLE, N.C.			NO.	DATE	REVISION
SHEET NO. 1 OF 1	DWG. NO. W.8 DATE: JULY 01, 2015	DWG. BY: FAYPWC APPROVED BY: J.E.G.	WATER RESOURCES ENGINEERING DEPARTMENT				

2015-W8 CONC PROTECTOR RING.dwg

UTILITY CONSTRUCTION

DATE: 6/22/2016
TIME: 7:33:02 AM
DRN: B4490_UF_peri_D3C.dgn

Prepared by:

AECOM TECHNICAL SERVICES OF NORTH CAROLINA, INC.
701 CORPORATE CENTER DRIVE, SUITE 475, RALEIGH, NC 27607
919-854-6200 919-854-6259 (fax)
F - 0342