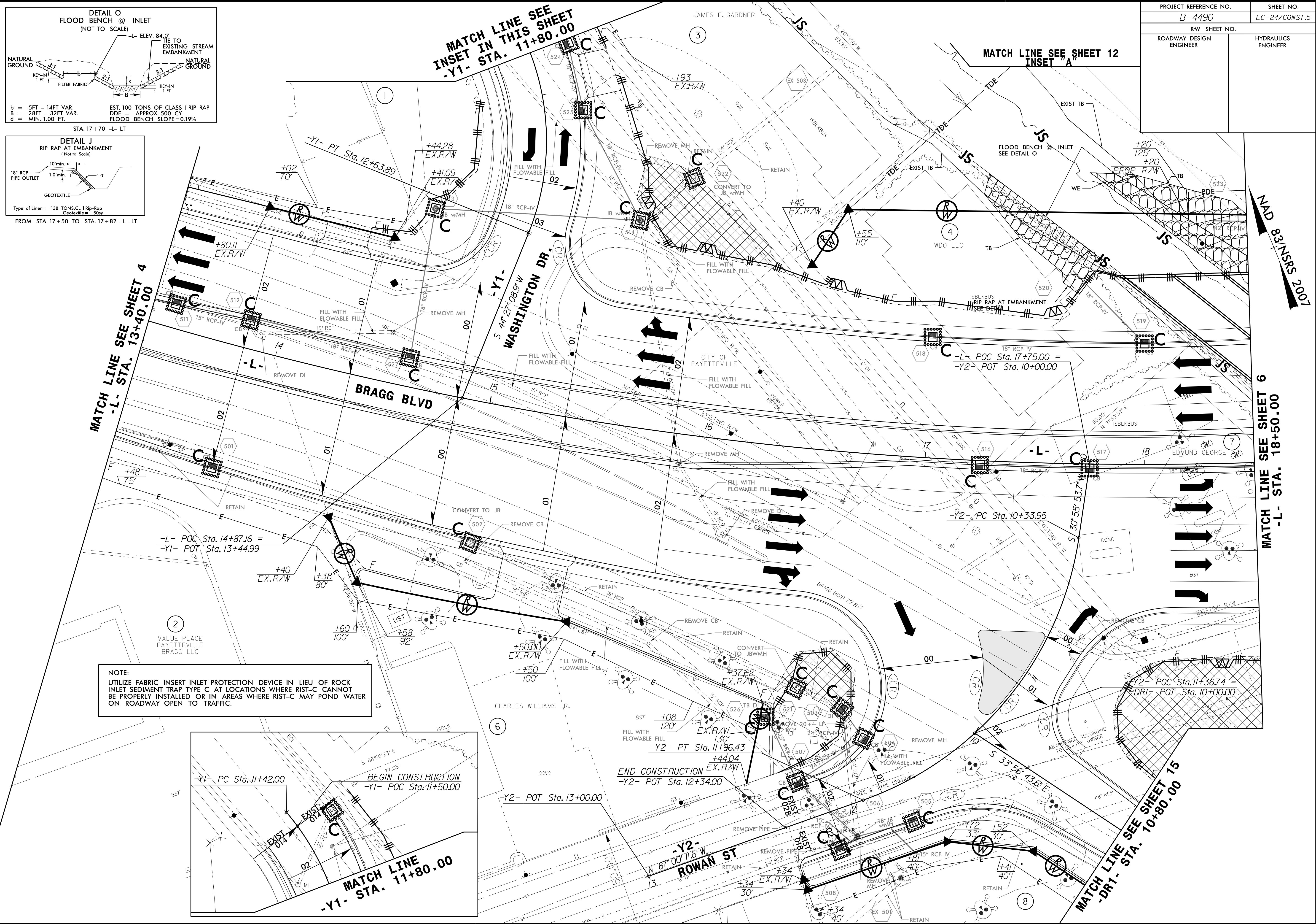
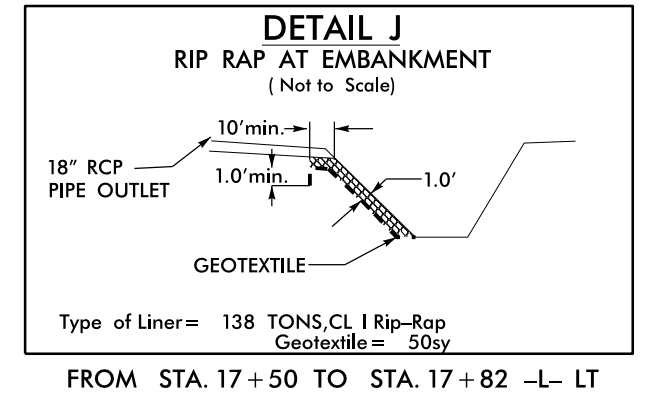
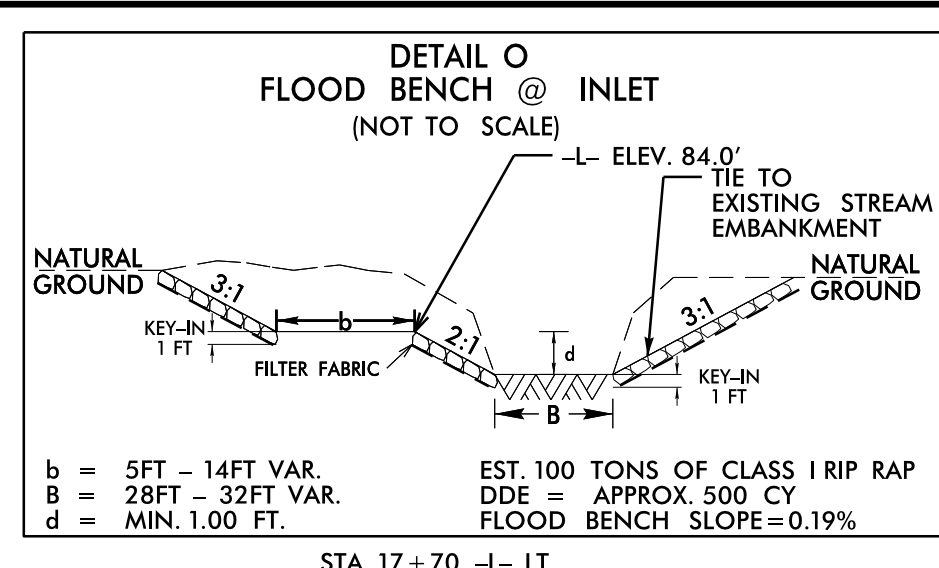


PROJECT REFERENCE NO. B-4490	SHEET NO. EC-24/CONST.5
RW SHEET NO.	
ROADWAY DESIGN ENGINEER	HYDRAULICS ENGINEER



8/17/99

21-AUG-2015 15:35  
R:\Information\B4490-EC.pch\_05.dgn  
R:\Information\B4490-EC.pch\_05.dgn