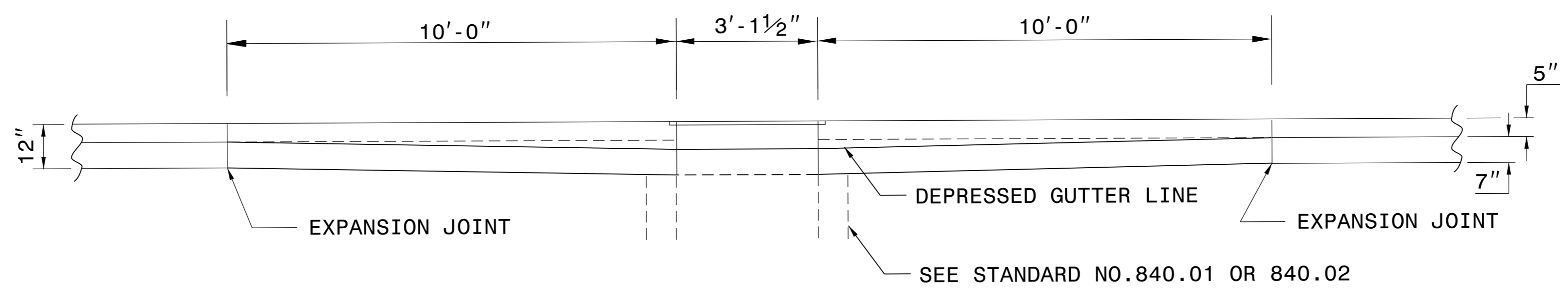
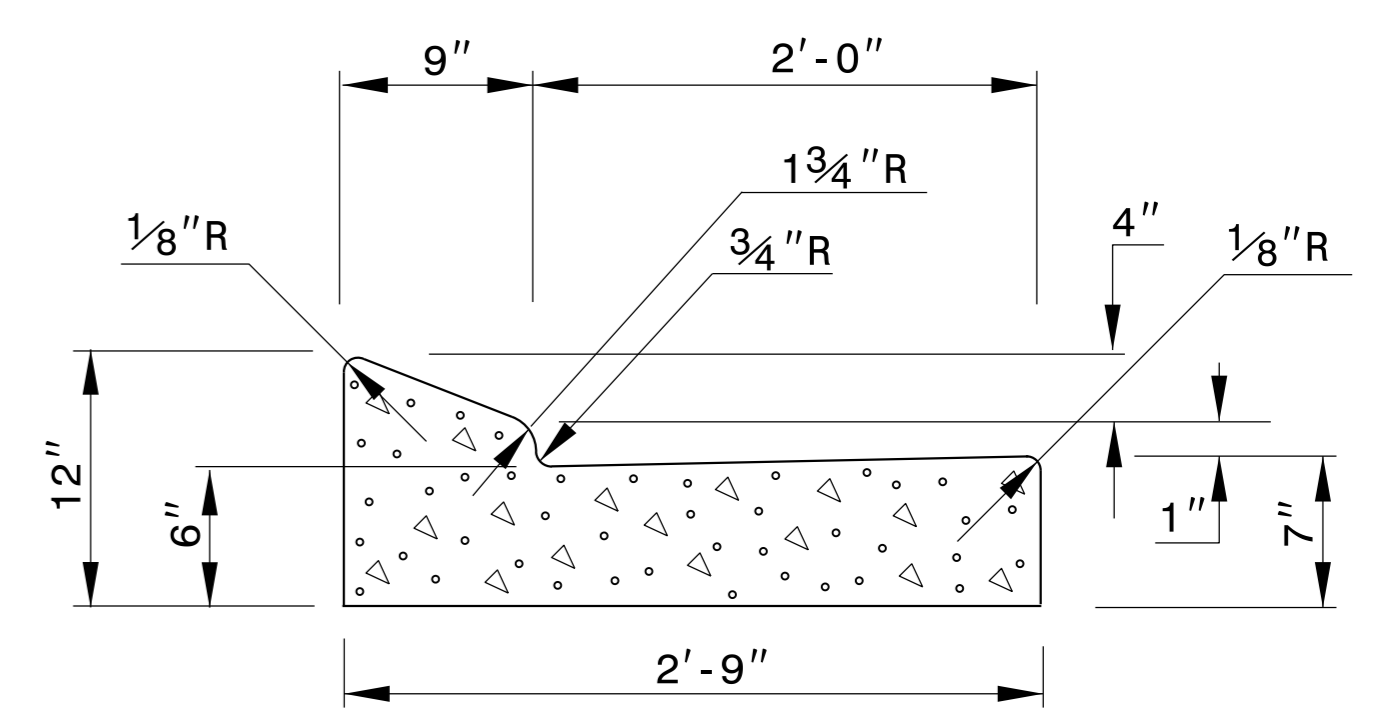
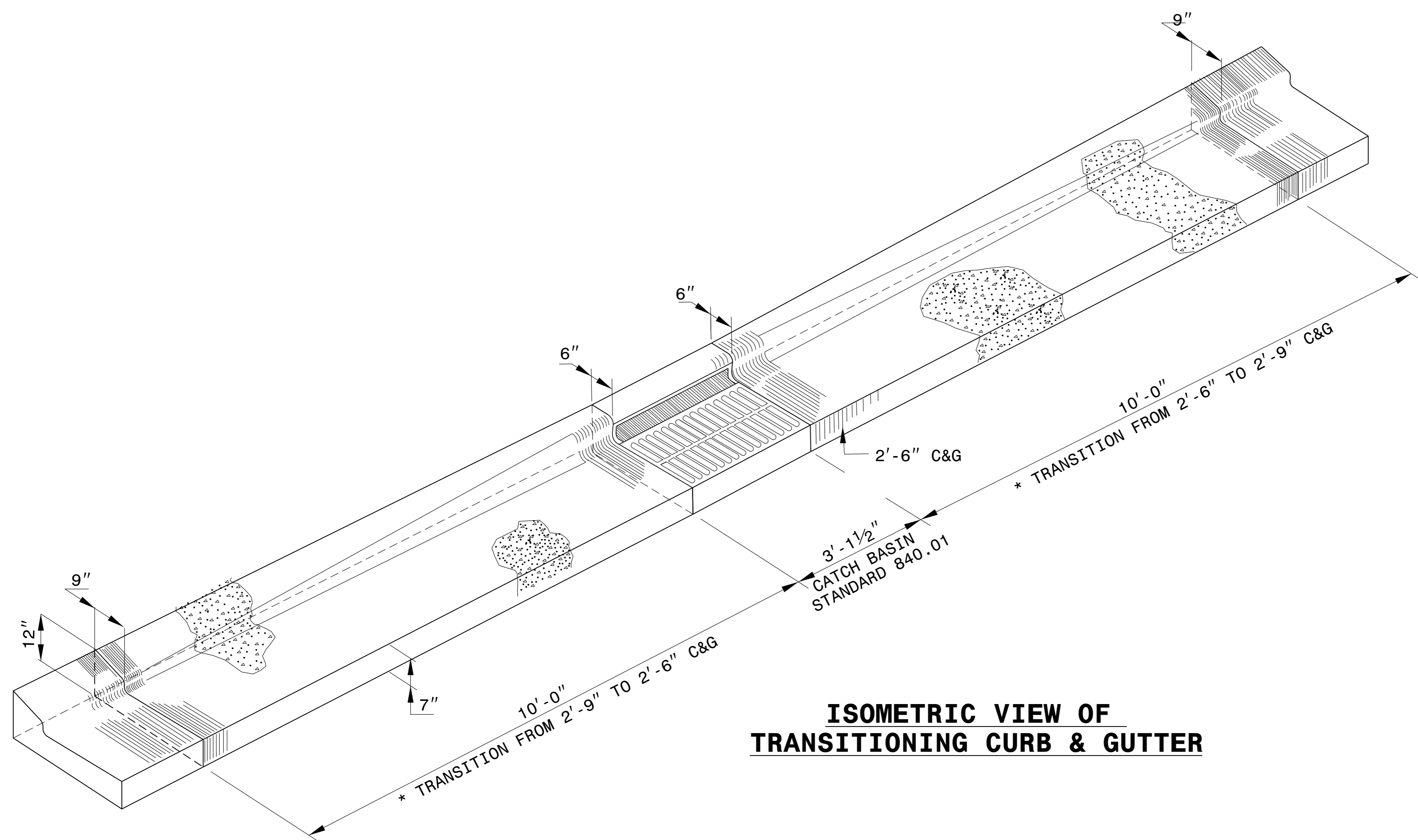
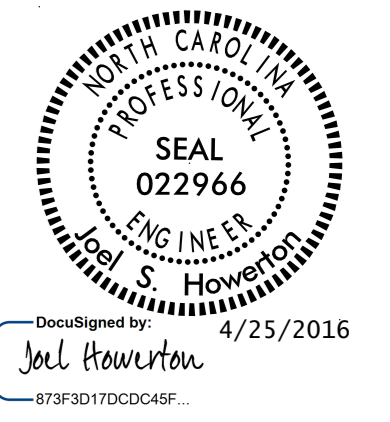


NOTE: SEE STD.DWG. 846.01 FOR
2'-6" CURB AND GUTTER
INFORMATION.



* MAINTAIN THE EDGE OF PAVEMENT. TRANSITION THE CURB ALONG THE
BACK OF THE CURB.



DOCUMENT NOT CONSIDERED FINAL
UNLESS ALL SIGNATURES COMPLETED

**CONTRACT STANDARDS
AND DEVELOPMENT UNIT**
Office 919-707-6950 FAX 919-250-4119

**DETAIL OF 2'-9"
TO 2'-6" CURB & GUTTER
TRANSITION SECTION**

ORIGINAL BY: _____	DATE: _____
MODIFIED BY: tspell	DATE: July 14, 2009
CHECKED BY: _____	DATE: _____
FILE SPEC.: s:eric/usr/details/stand/cgtranst.dgn	

C:\Users\jhowerton\Documents\2016\20160425\20160425.dwg
 USER: jhowerton
 DATE: 4/25/2016 10:58:10 AM
 PLOT: 4/25/2016 10:58:10 AM
 PLOTTER: HP DesignJet T1200