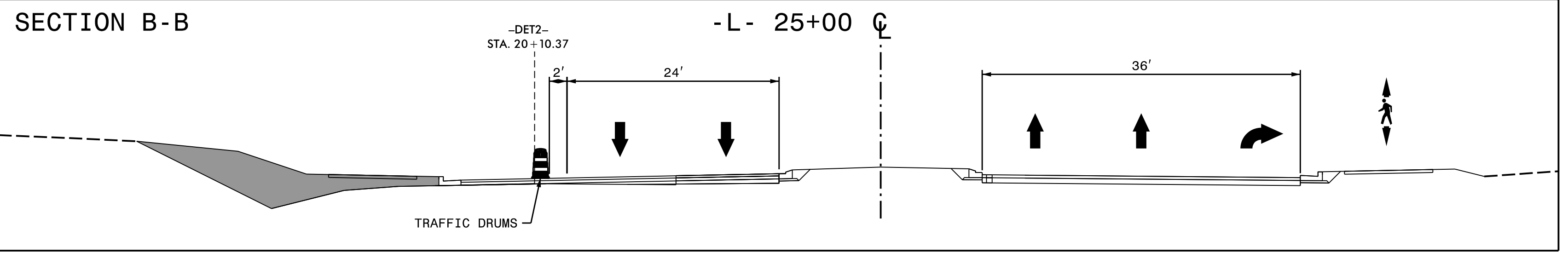


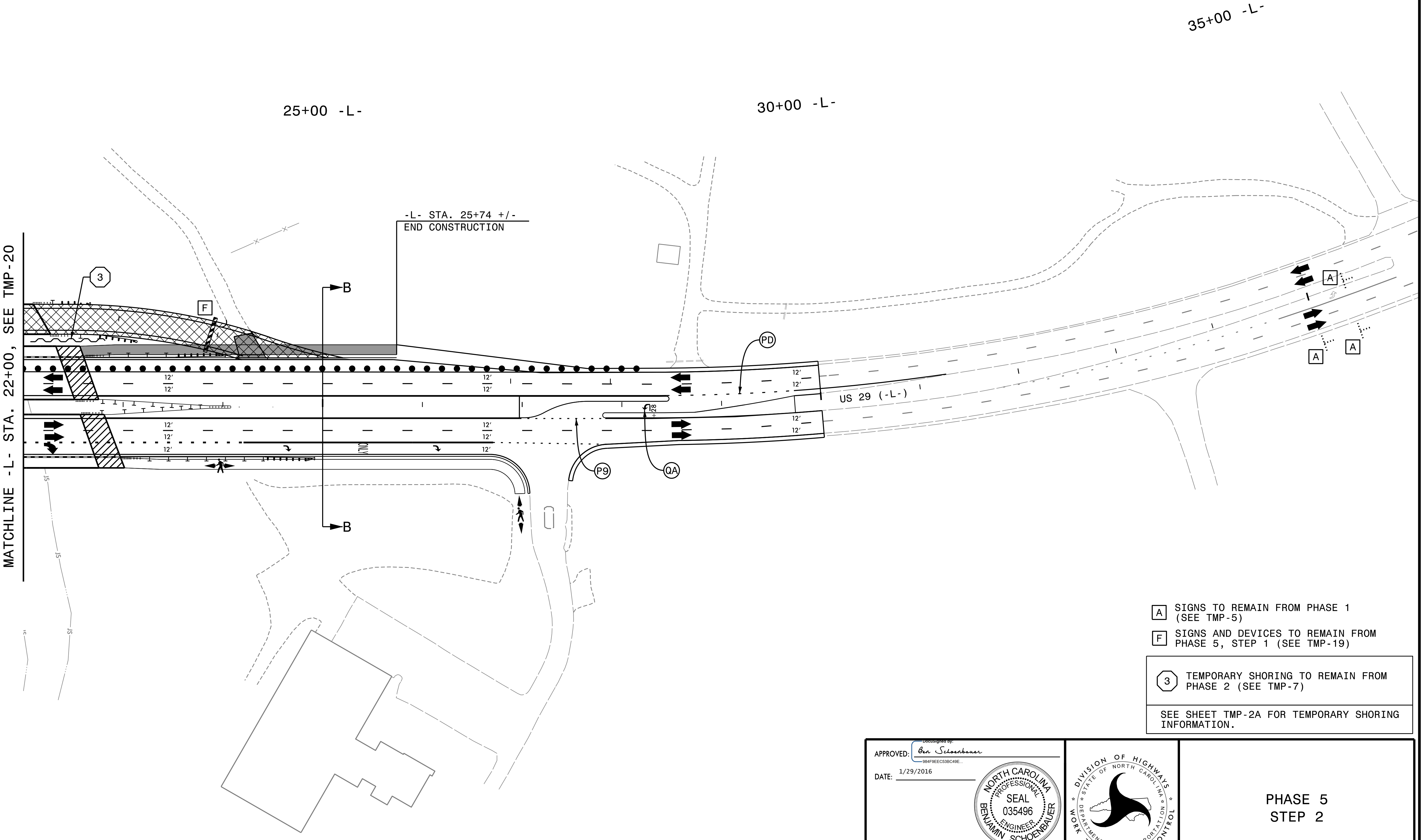
SECTION B-B



PROJ. REFERENCE NO. SHEET NO.

B-5123 TMP-21

HDR HDR Engineering, Inc. of the Carolinas
555 Fayetteville St, Suite 900 Raleigh, N.C. 27601
N.C.B.E.L.S. License Number: F-0116

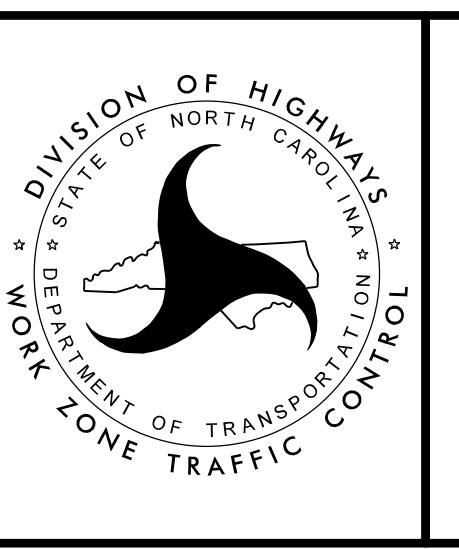


- [A]** SIGNS TO REMAIN FROM PHASE 1
(SEE TMP-5)
- [F]** SIGNS AND DEVICES TO REMAIN FROM
PHASE 5, STEP 1 (SEE TMP-19)
- [3]** TEMPORARY SHORING TO REMAIN FROM
PHASE 2 (SEE TMP-7)

SEE SHEET TMP-2A FOR TEMPORARY SHORING
INFORMATION.

PLOT DRIVER: NCDOT_pdf_color_eng_50.plt
USER: CHARNDEN
DATE: 1/29/2016
FILE: pw:\PWAPP\TFA01\SouthEast_Tampa\Documents\000166\CON0079759\CON0104476\0000000022555\6.0.CAD.BIM\6.2.Work.In.Progress\TrafficControl\TCP\B-5123.TC.TMP-21-Phase5b-2.dgn

APPROVED: *Ben Schoenauer*
1/29/2016
NORTH CAROLINA
PROFESSIONAL
SEAL
035496
ENGINEER
BENJAMIN
SCHOENAUER



PHASE 5
STEP 2

DOCUMENT NOT CONSIDERED FINAL
UNLESS ALL SIGNATURES COMPLETED