

**This electronic collection of documents is provided
for the convenience of the user
and is Not a Certified Document –**

**The documents contained herein were originally issued
and sealed by the individuals whose names and license
numbers appear on each page, on the dates appearing
with their signature on that page.**

**This file or an individual page
shall not be considered a certified document.**

4/20/2016 11:21:11 AM C:\Users\BARRY\OneDrive\Documents\CAD\NCPMP\B-5313\Title sheet.dgn

T.I.P.: B-5313


CONTRACT: C203807

STATE OF NORTH CAROLINA
DEPARTMENT OF TRANSPORTATION

PAVEMENT MARKING PLAN
WILSON COUNTY

LOCATION: BRIDGE NO. 109 OVER TOWN CREEK
ON SR 1002 (TOWN CREEK ROAD)

PROJECT REFERENCE NO. B-5313	SHEET NO. PMP-1
APPROVED: <i>Ayman Alqudwah</i> 4/20/2016	
SEAL	



ROADWAY STANDARD DRAWING

PROJECT SERVICES UNIT - N.C. DEPARTMENT OF TRANSPORTATION - RALEIGH, N.C.,
DATED JANUARY 2012 ARE APPLICABLE TO THIS PROJECT AND BY REFERENCE HEREBY ARE
CONSIDERED A PART OF THESE PLANS:

STD. NO.	TITLE
1205.01	PAVEMENT MARKINGS - LINE TYPES AND OFFSETS
1205.02	PAVEMENT MARKINGS - TWO-LANE AND MULTILANE ROADWAYS
1205.12	PAVEMENT MARKINGS - BRIDGES
1261.01	GUARDRAIL AND BARRIER DELINEATORS - INSTALLATION SPACING
1261.02	GUARDRAIL AND BARRIER DELINEATORS - TYPES AND MOUNTING
1262.01	GUARDRAIL END DELINEATION

GENERAL NOTES

THE FOLLOWING GENERAL NOTES APPLY AT ALL TIMES FOR THE DURATION OF
THE CONSTRUCTION PROJECT, EXCEPT WHEN OTHERWISE NOTED IN THE PLAN,
OR DIRECTED BY THE ENGINEER.

A) STATE FORCES WILL INSTALL PAVEMENT MARKINGS AND PAVEMENT MARKERS ON
THE FINAL SURFACE AS FOLLOWS:

ROAD NAME	MARKING	MARKER
TOWN CREEK ROAD	THERMOPLASTIC	NONE

B) TIE PROPOSED PAVEMENT MARKING LINES TO EXISTING PAVEMENT MARKING LINES.

C) REMOVE/REPLACE ANY CONFLICTING/DAMAGED PAVEMENT MARKINGS AND MARKERS.

D) PASSING ZONES WILL BE DETERMINED IN THE FIELD AND MUST BE APPROVED BY
THE ENGINEER.

E) REMOVE ALL RESIDUE AND SURFACE LAITANCE BY ACCEPTABLE METHODS ON
CONCRETE BRIDGE DECKS PRIOR TO PLACING (THERMOPLASTIC)
PAVEMENT MARKING MATERIAL.

INDEX

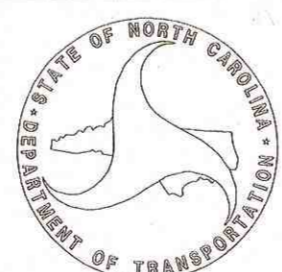
SHEET NO.	DESCRIPTION
PMP-1	PAVEMENT MARKING PLAN TITLE AND SCHEDULE SHEET
PMP-2	PAVEMENT MARKING DETAIL

Pavement Marking Schedule
TIP Project # B-5313

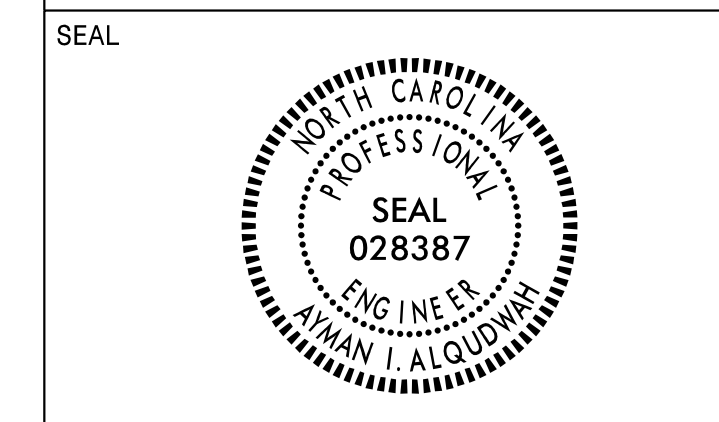
SYMBOL	DESCRIPTION
TI	YELLOW DOUBLE CENTER THERMOPLASTIC(4", 120 MIL)
TA	WHITE EDGELINE THERMOPLASTIC(4", 90 MIL)

PLAN PREPARED BY: N.C.D.O.T. SIGNING AND DELINEATION UNIT

AYMAN I. ALQUDWAH, PE SIGNING & DELINEATION REGIONAL ENGINEER
BARRY NOWLIN SIGNING & DELINEATION PROJECT DESIGN TECHNICIAN

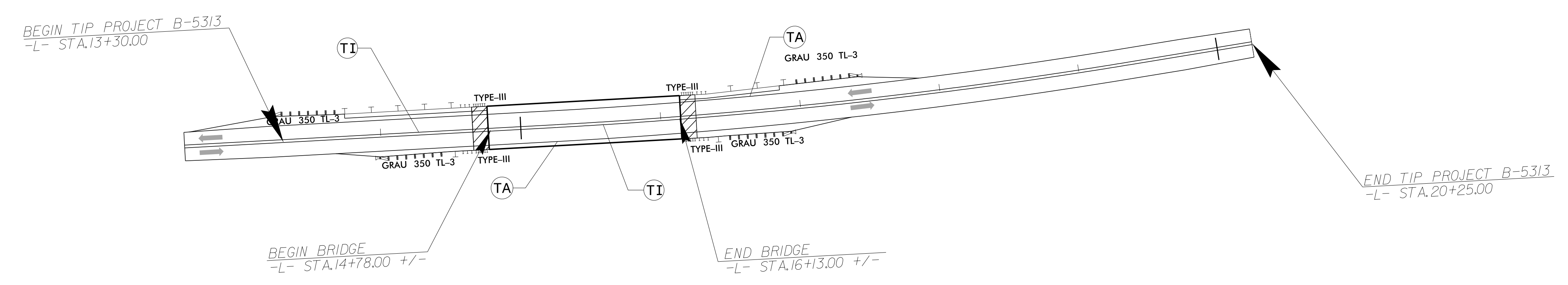


DocuSigned by:
Ayman Alqudwa
F32AC5CAF965472...
DATE: 2/10/2016



15

20



PAVEMENT MARKING DETAIL