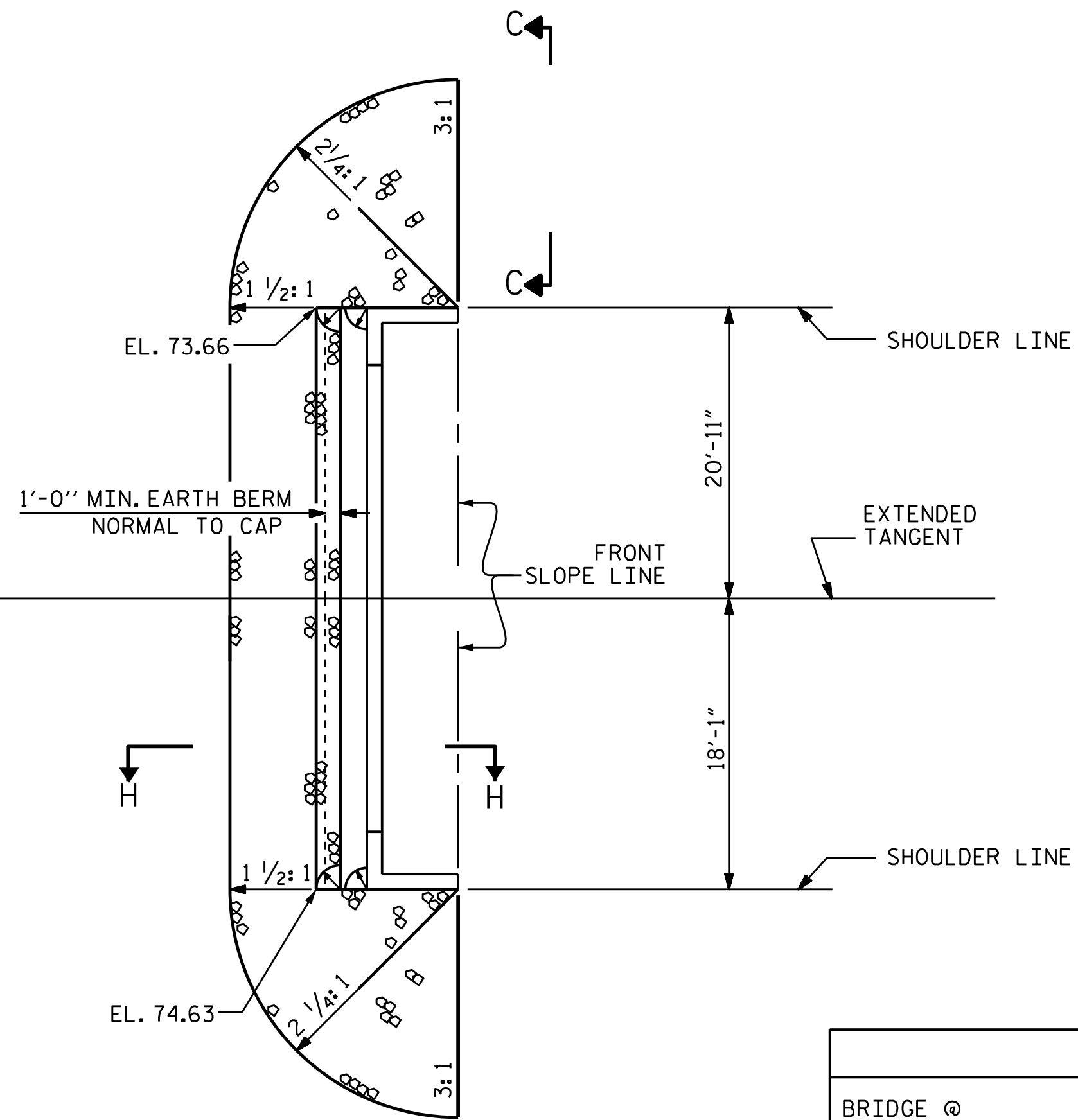


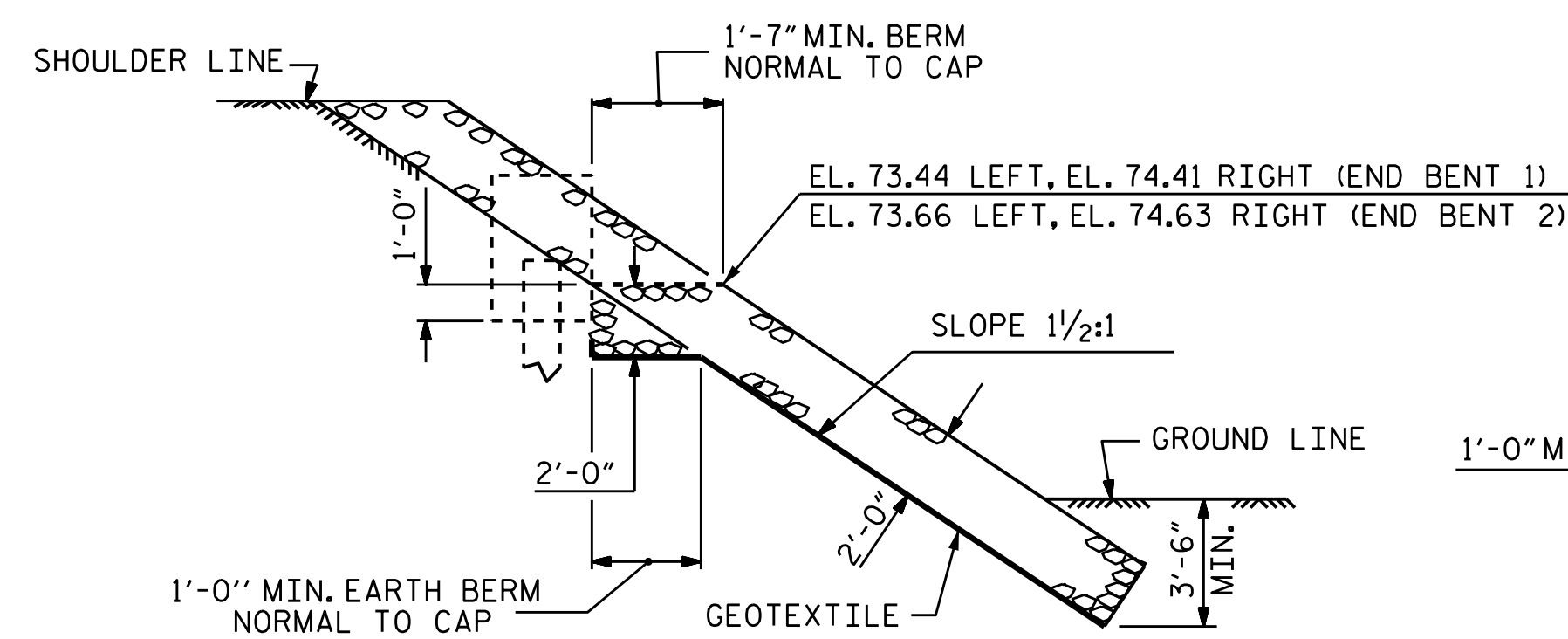
END BENT 1



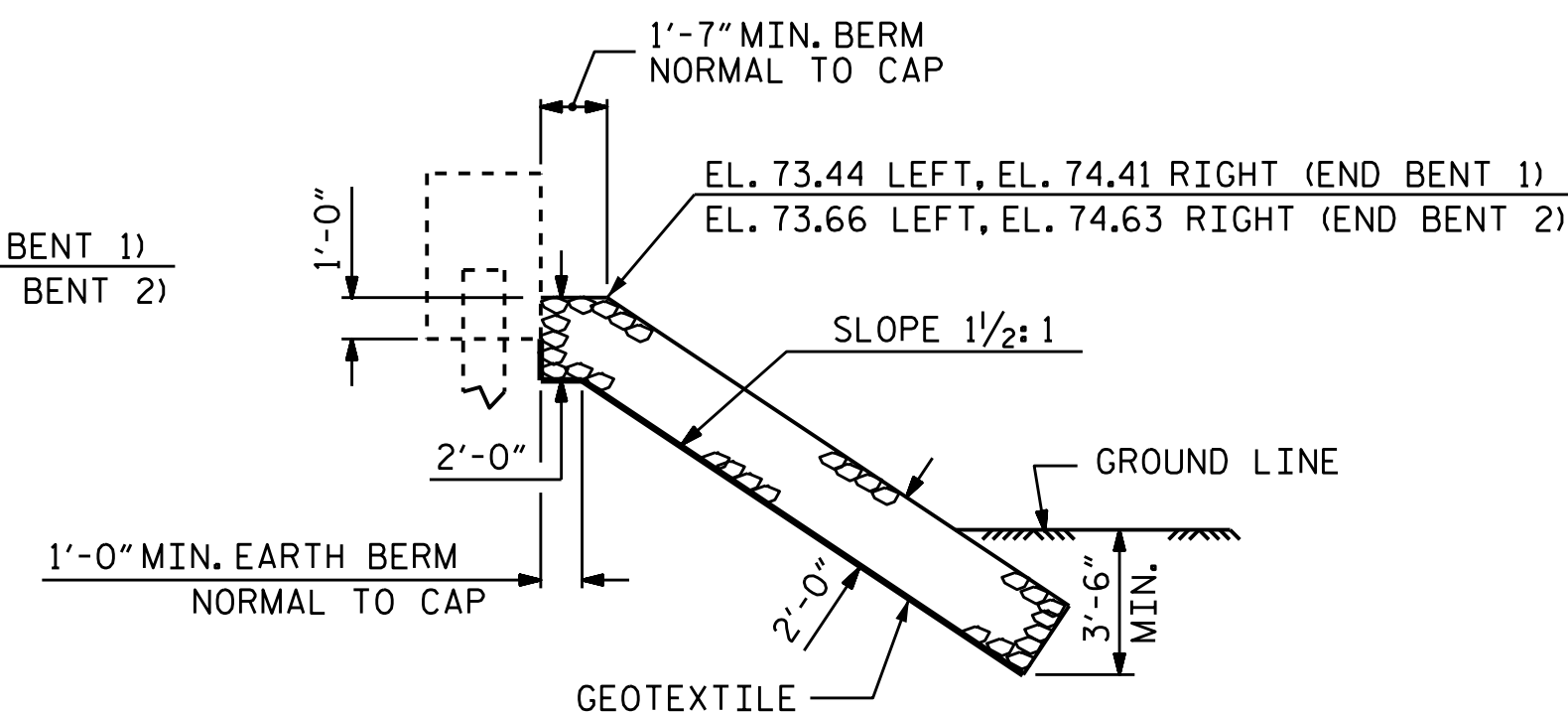
END BENT 2

ESTIMATED QUANTITIES		
BRIDGE @ STA. 15+45.50 -L-	RIP RAP CLASS II (2'-0" THICK)	GEOTEXTILE FOR DRAINAGE
	TONS	SQUARE YARDS
END BENT 1	60	66
END BENT 2	65	72

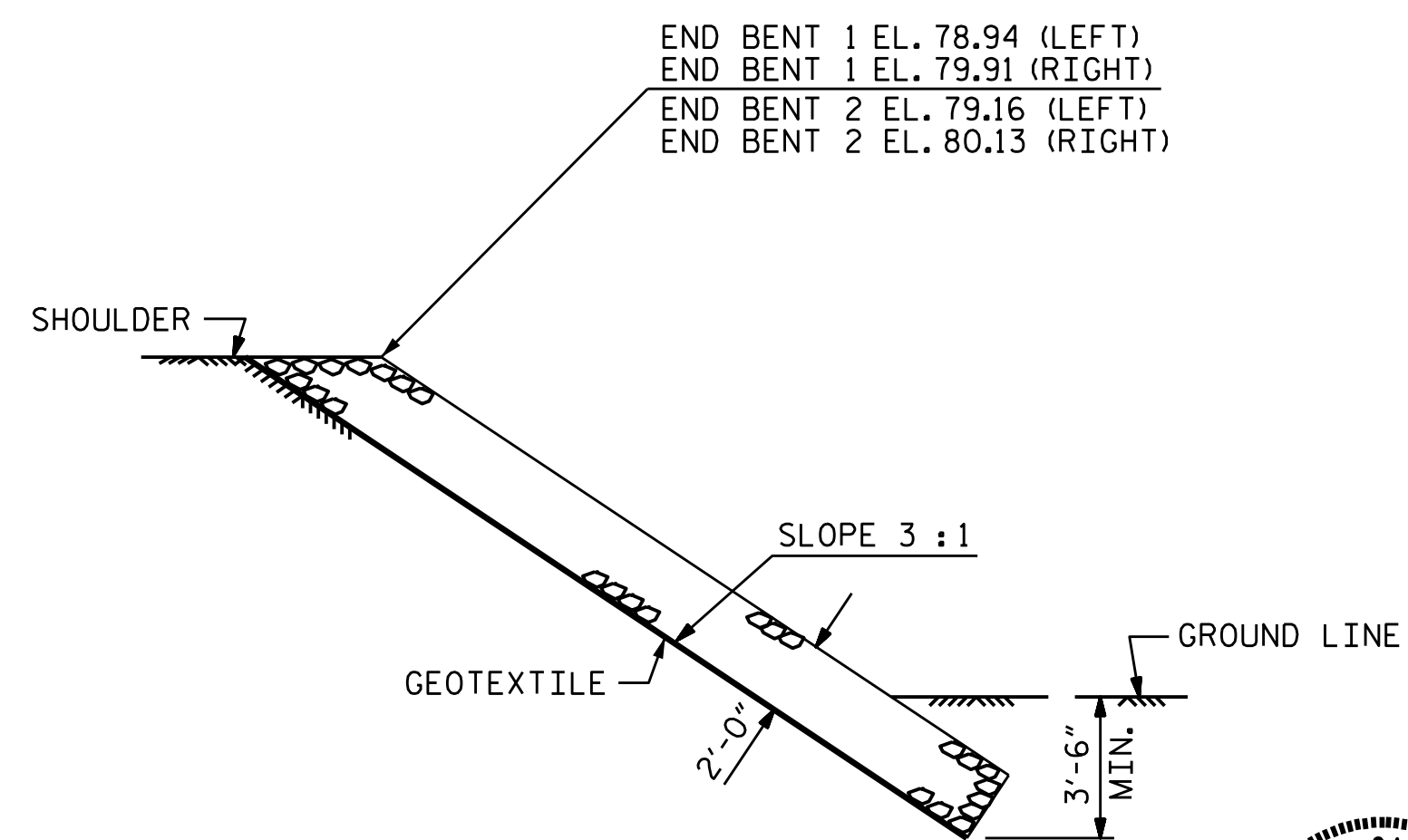
PLAN VIEW OF RIP RAP



SECTION H-H

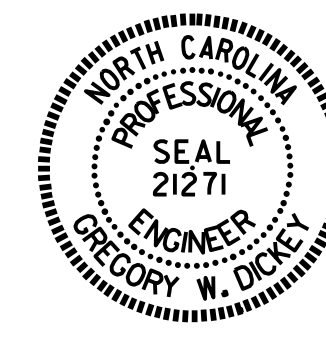


**SECTION C-C
BERM RIP RAPPED**



SECTION C-C

PROJECT NO. B-5313
WILSON COUNTY
 STATION: 15+45.50 -L-



STATE OF NORTH CAROLINA
 DEPARTMENT OF TRANSPORTATION
 RALEIGH
 STANDARD
 —RIP RAP DETAILS—

ASSEMBLED BY : REZA KOUCHEKI DATE : 07-11-15
 CHECKED BY : W.F. PARKER DATE : 11/15
 DRAWN BY : REK 1/84
 CHECKED BY : RDU 1/84

REV. 5/1/06R TLA/GM
 REV. 10/1/11 MAA/GM
 REV. 12/2/11 MAA/GM

DOCUMENT NOT CONSIDERED
 FINAL UNLESS ALL
 SIGNATURES COMPLETED

REVISIONS						SHEET NO.
NO.	BY:	DATE:	NO.	BY:	DATE:	S-18
1			3			TOTAL SHEETS
2			4			19