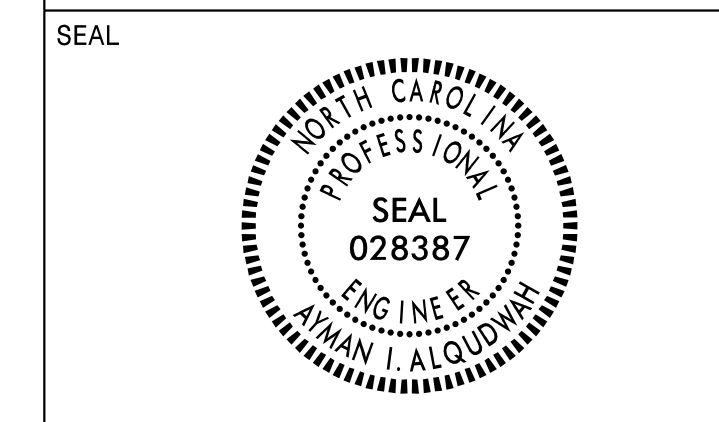
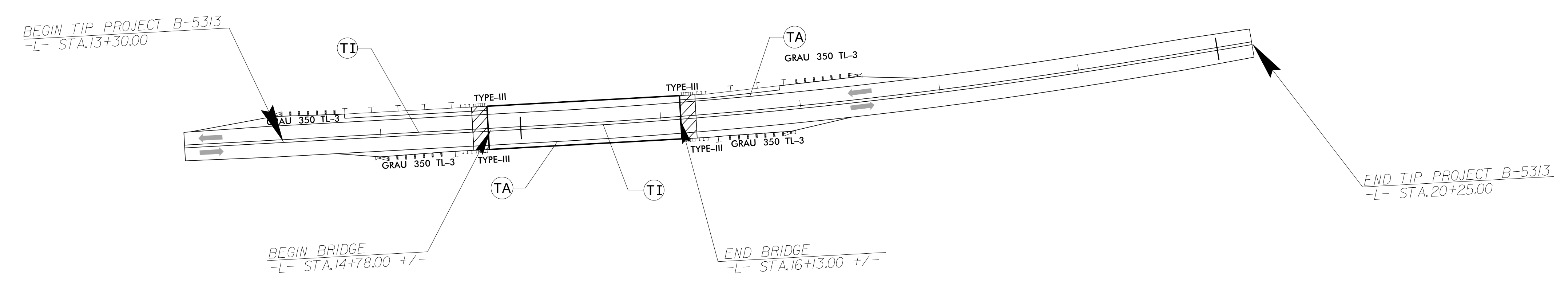


DocuSigned by:  
*Ayman Alqudwa*  
F32AC5CAF965472...  
DATE: 2/10/2016



15

20



**PAVEMENT MARKING DETAIL**