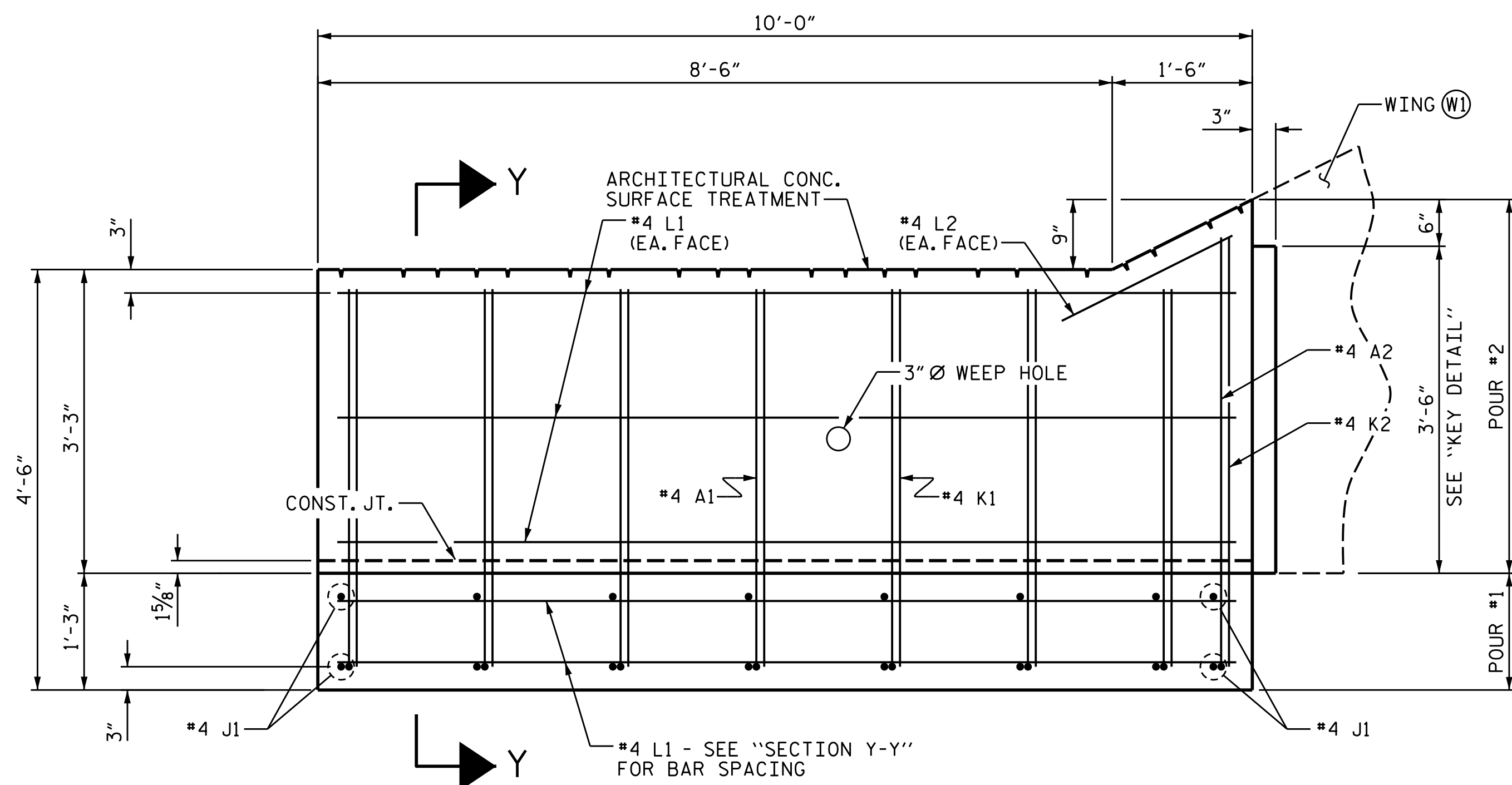
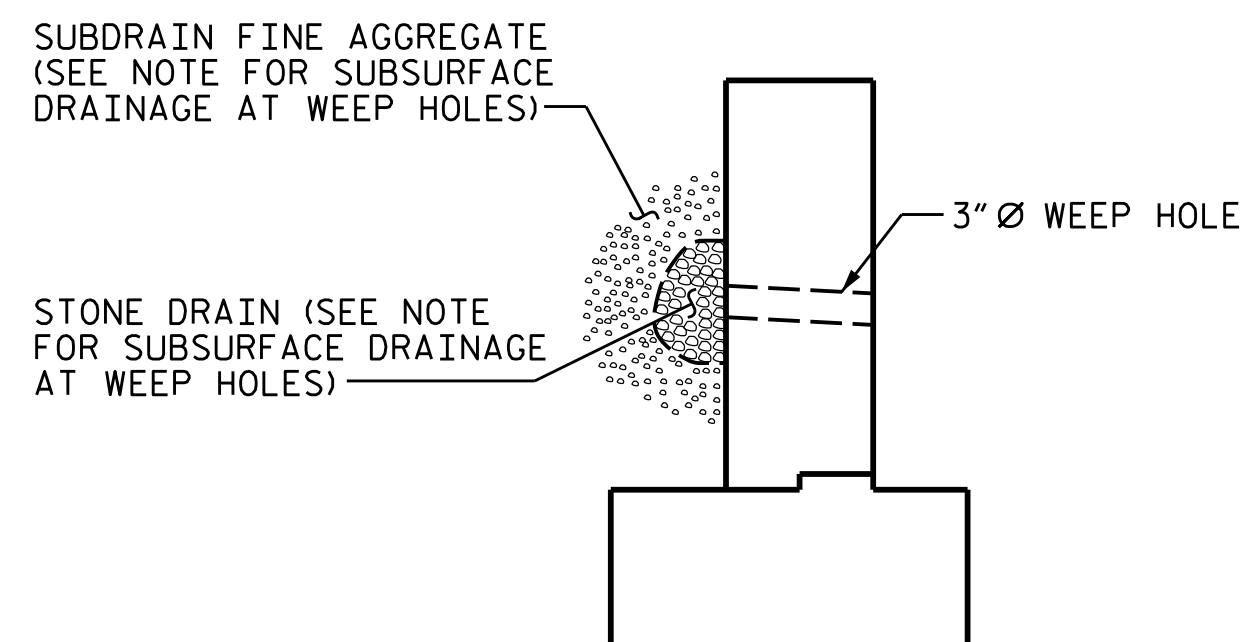


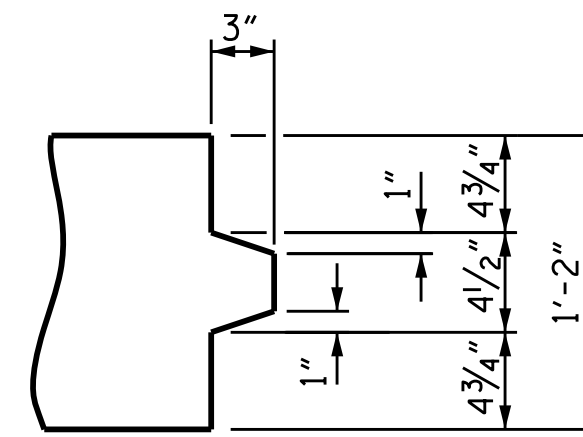
PLAN OF WALL (W1)



ELEVATION OF WALL (W1)



WEEP HOLE DETAIL



KEY DETAIL

NOTES:

PLACE 3" DIAMETER WEEP HOLES ON A 10'-0" CENTER-TO-CENTER SPACING AT ELEVATION 2900.0±.

FOR SUBSURFACE DRAINAGE AT WEEP HOLES, SEE ARTICLE 414-8 OF THE STANDARD SPECIFICATIONS.

DO NOT PLACE CONCRETE FOR FOOTINGS UNTIL EXCAVATION DIMENSIONS AND FOUNDATION MATERIAL ARE APPROVED.

ARCHITECTURAL CONCRETE SURFACE TREATMENT SHALL BE APPLIED TO THE FRONT FACE, FILL FACE AND TOP OF THE WALL AS DETAILED ON THE PLANS. FOR ARCHITECTURAL CONCRETE SURFACE TREATMENT, SEE SPECIAL PROVISIONS.

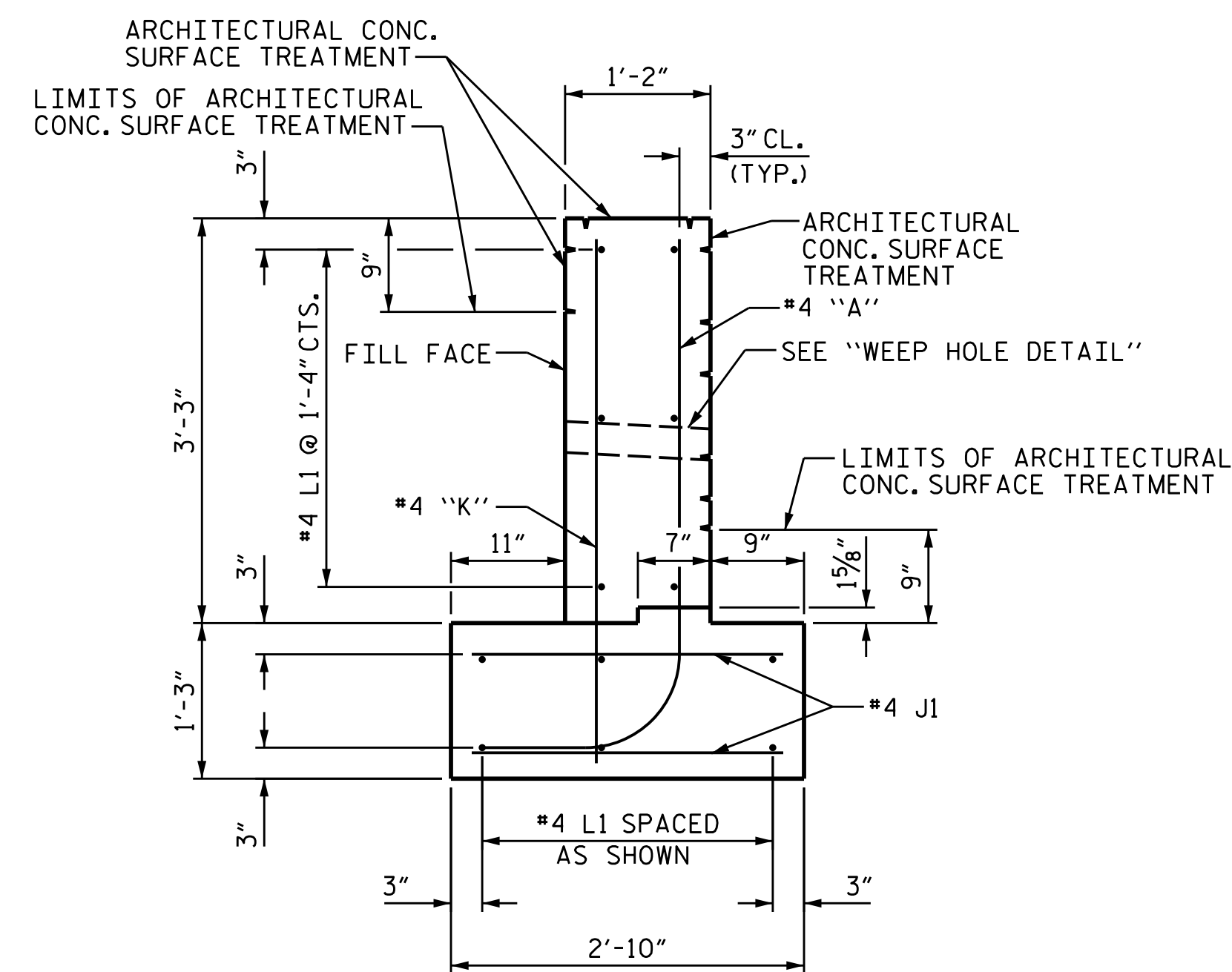
BAR TYPES	
	A1
	A2
	J1
	K1
	K2
	L1
	L2

ALL BAR DIMENSIONS ARE OUT TO OUT.

BILL OF MATERIAL					
END BENT No. 2 WALL					
BAR NO.	NO.	SIZE	TYPE	LENGTH	WEIGHT
A1	7	#4	1	5'-3"	25
A2	1	#4	1	5'-5"	4
J1	16	#4	STR	2'-4"	25
K1	7	#4	STR	4'-0"	19
K2	1	#4	STR	4'-7"	3
L1	12	#4	STR	9'-6"	76
L2	2	#4	STR	2'-0"	3
REINFORCING STEEL					155 LBS.

CLASS A CONCRETE BREAKDOWN		
POUR #1	FOOTING	1.3 C.Y.
POUR #2	WALL	1.4 C.Y.
TOTAL CLASS A CONCRETE		2.7 C.Y.
FOUNDATION EXCAVATION		LUMP SUM
ARCHITECTURAL CONC. SURFACE TREATMENT		45 SQ. FT.

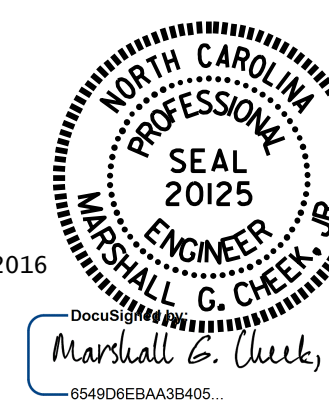
TOTAL BILL OF MATERIAL	
END BENT No. 2	
REINFORCING STEEL	2473 LBS.
CLASS A CONCRETE	21.6 C.Y.
HP 12 X 53 STEEL PILES NO: 7	105 LIN. FT.
PILE EXCAVATION	
PILE EXCAVATION IN SOIL	40 LIN. FT.
PILE EXCAVATION NOT IN SOIL	35 LIN. FT.
FOUNDATION EXCAVATION	LUMP SUM
ARCHITECTURAL CONC. SURFACE TREATMENT	240 SQ. FT.



SECTION Y-Y

PROJECT NO. B-5118  
WATAUGA COUNTY  
 STATION: 11+91.00 -L-

SHEET 4 OF 4



STATE OF NORTH CAROLINA  
 DEPARTMENT OF TRANSPORTATION  
 RALEIGH  
 END BENT No. 2  
 WALL DETAILS

DRAWN BY : W.J. HARRIS DATE : 3/16  
 CHECKED BY : B.N. GRADY DATE : 3/16  
 DESIGN ENGINEER OF RECORD: W.J. HARRIS DATE : 4/16

DOCUMENT NOT CONSIDERED  
 FINAL UNLESS ALL  
 SIGNATURES COMPLETED

REVISIONS						SHEET NO.
NO.	BY:	DATE:	NO.	BY:	DATE:	S-18
1			3			TOTAL SHEETS
2			4			20