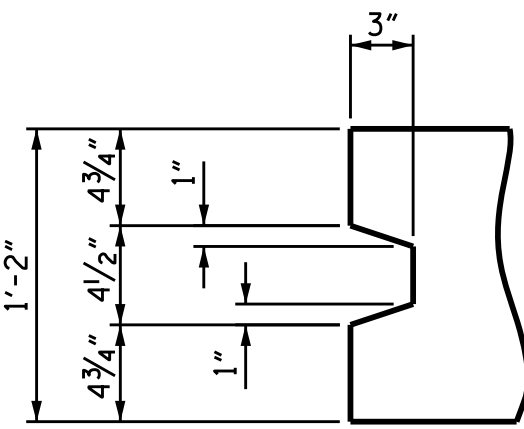
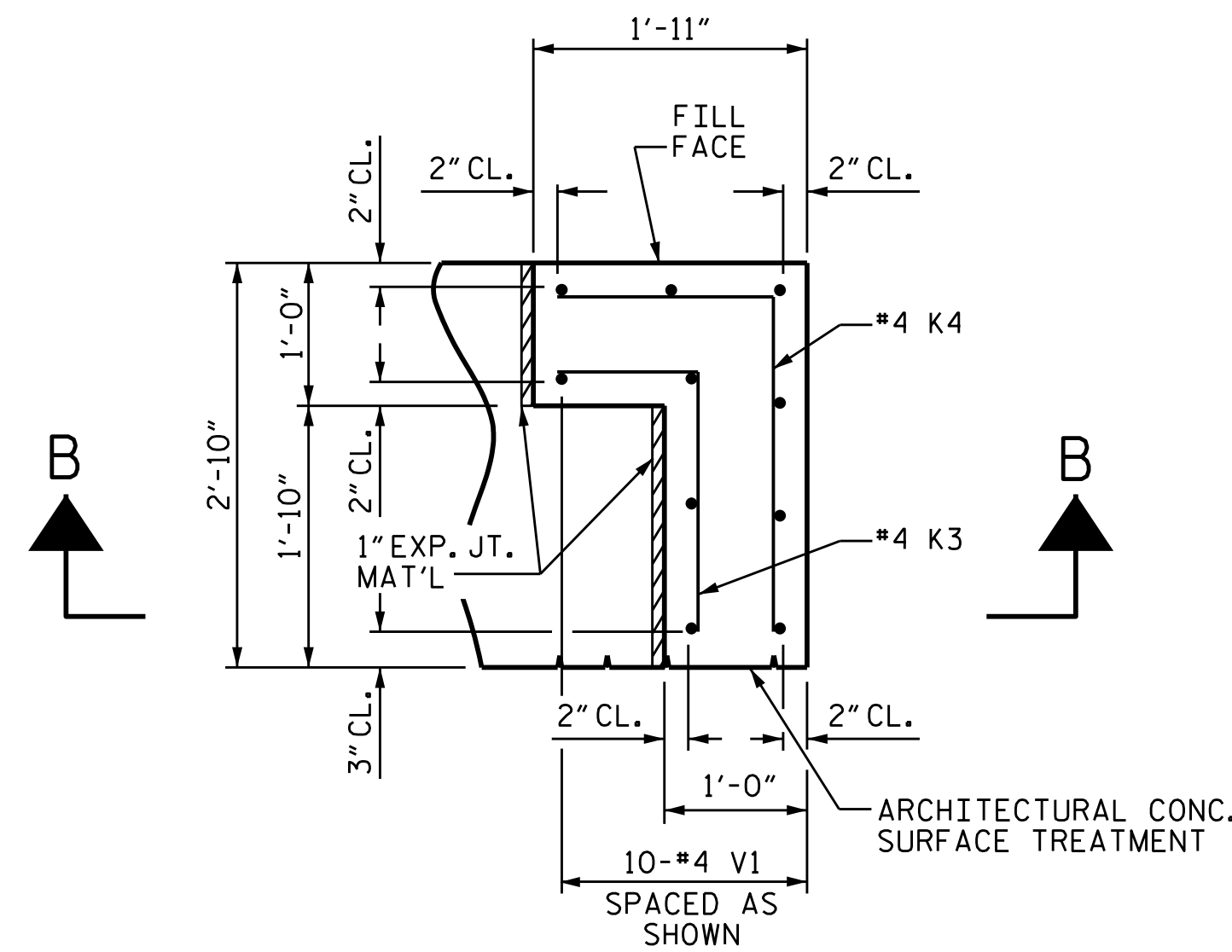


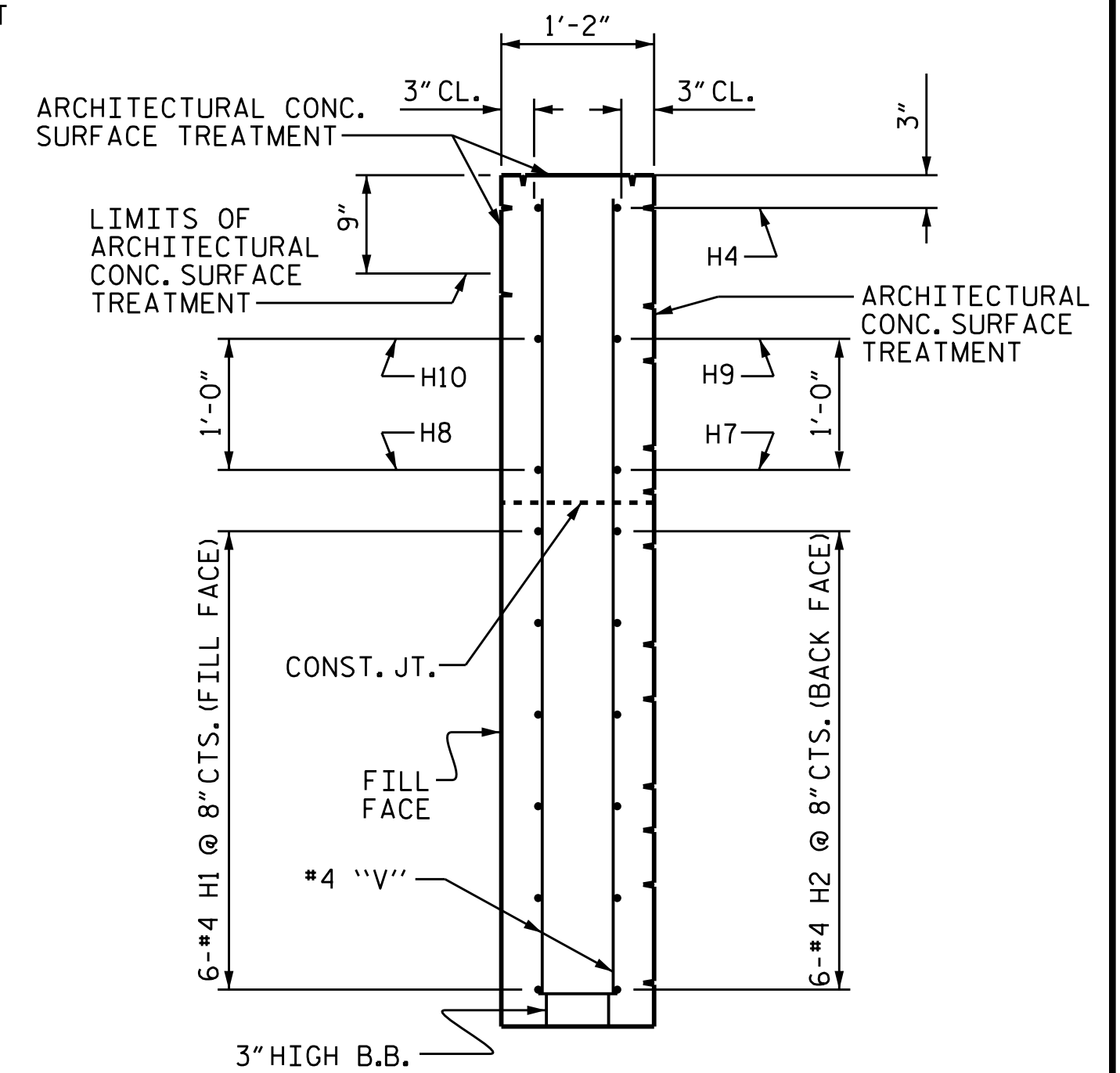
PLAN OF WING (W1)



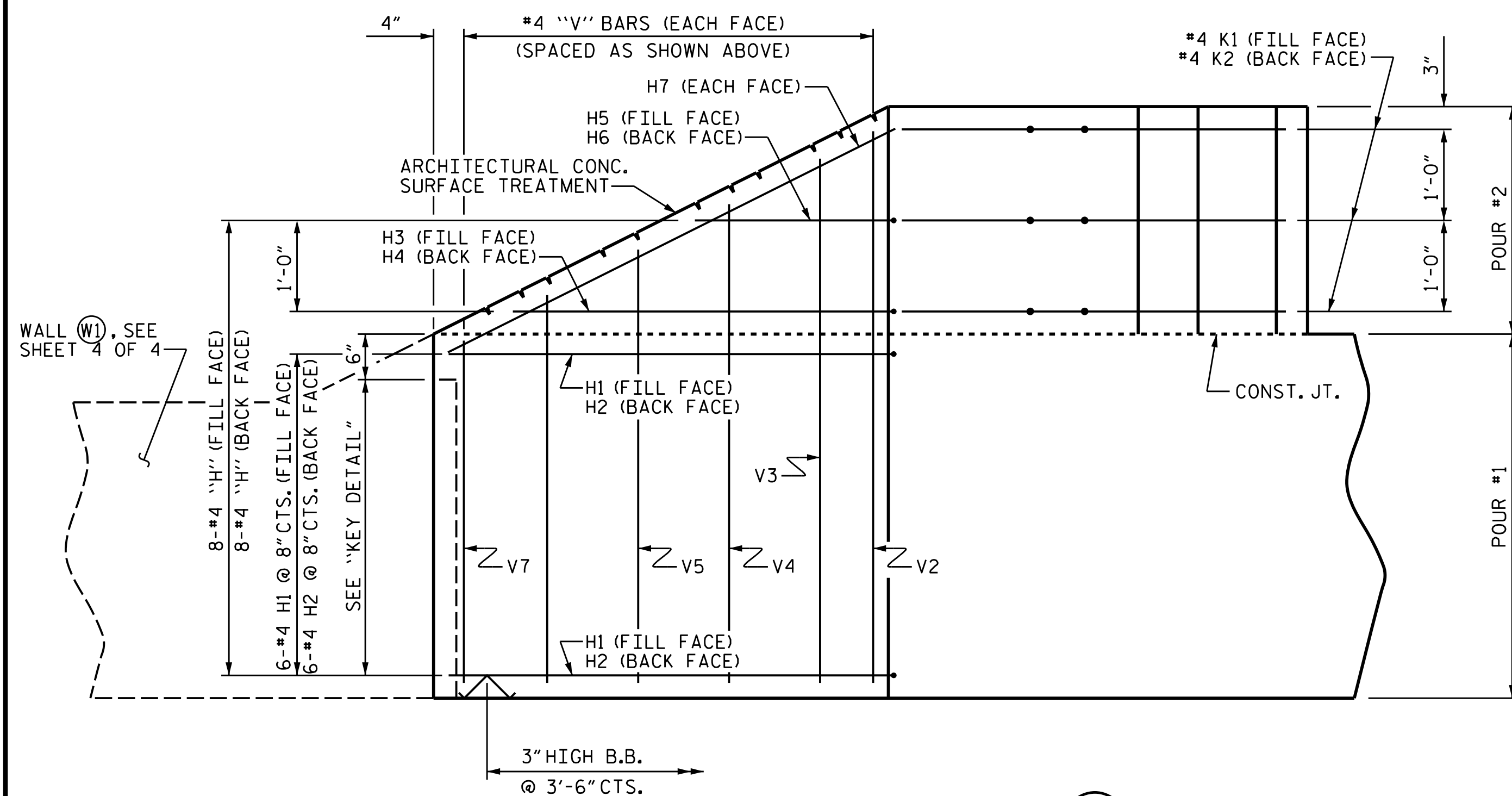
KEY DETAIL



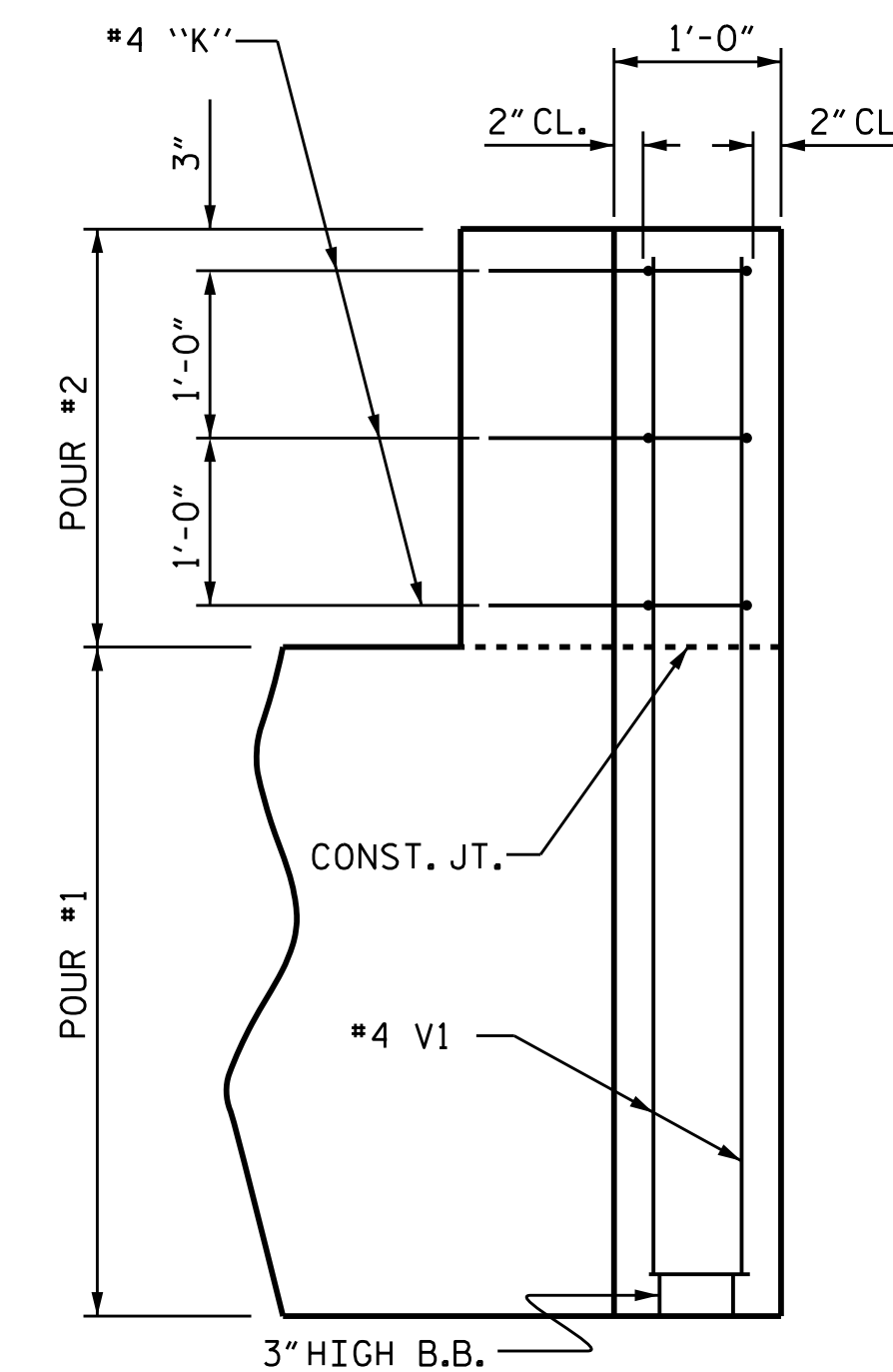
PLAN OF WING (W2)



END VIEW (W1)



ELEVATION OF WING (W1)



SECTION B-B (W2)

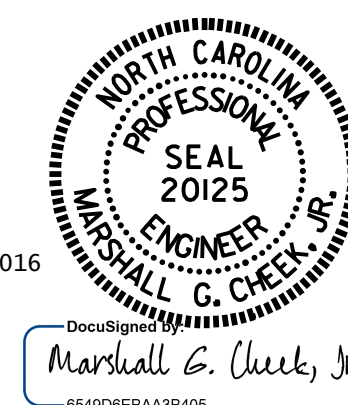
WING DETAILS

PROJECT NO. B-5118  
WATAUGA COUNTY  
 STATION: 11+91.00 -L-

SHEET 2 OF 4

STATE OF NORTH CAROLINA  
 DEPARTMENT OF TRANSPORTATION  
 RALEIGH

SUBSTRUCTURE  
 END BENT No. 2  
 WING DETAILS



4/19/2016

DRAWN BY : W.J. HARRIS DATE : 2/16  
 CHECKED BY : B.N. GRADY DATE : 2/16  
 DESIGN ENGINEER OF RECORD: W.J. HARRIS DATE : 4/16

DOCUMENT NOT CONSIDERED  
 FINAL UNLESS ALL  
 SIGNATURES COMPLETED

| REVISIONS |     |       |     |     |       | SHEET NO.<br>S-16  |
|-----------|-----|-------|-----|-----|-------|--------------------|
| NO.       | BY: | DATE: | NO. | BY: | DATE: |                    |
| 1         |     |       | 3   |     |       | TOTAL SHEETS<br>20 |
| 2         |     |       | 4   |     |       |                    |