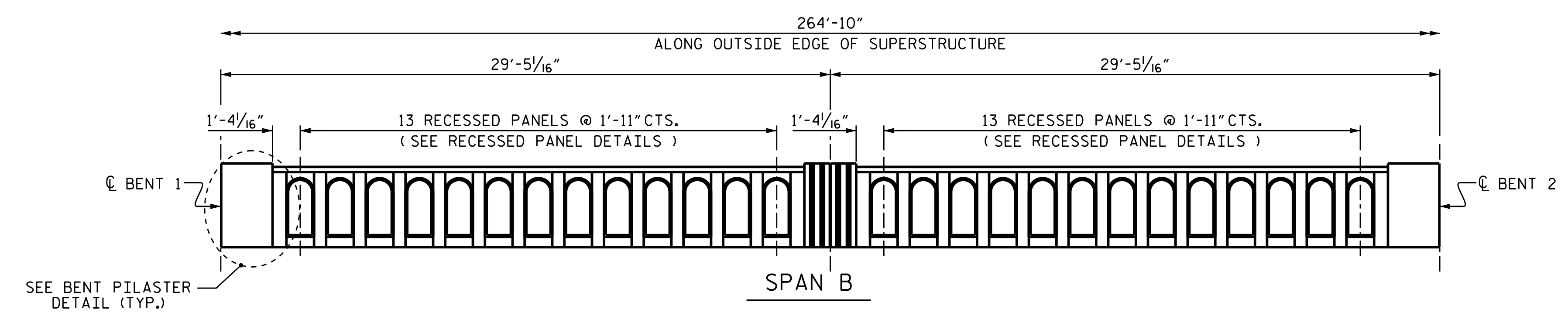


SEE JOINT PILASTER
DETAIL (TYP.)

SPAN A

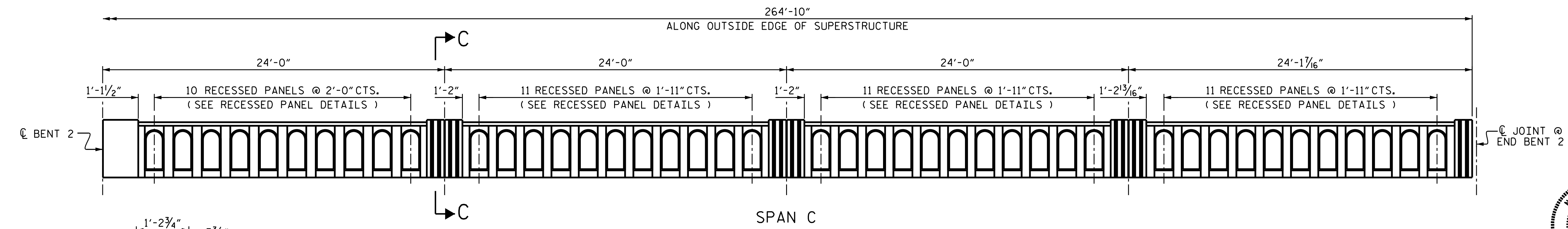
NOTES:

ALL DIMENSIONS SHOWN ARE MEASURED ALONG THE
OUTSIDE EDGE OF SUPERSTRUCTURE.



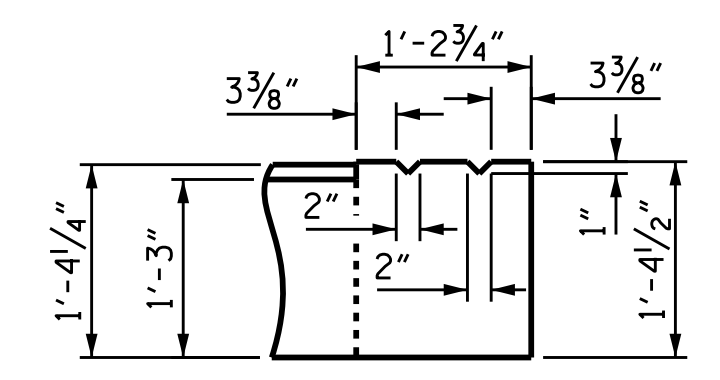
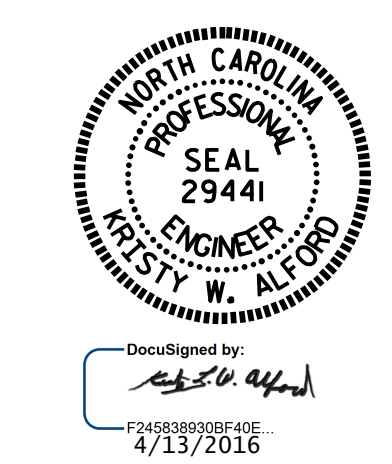
SEE BENT PILASTER
DETAIL (TYP.)

SPAN B

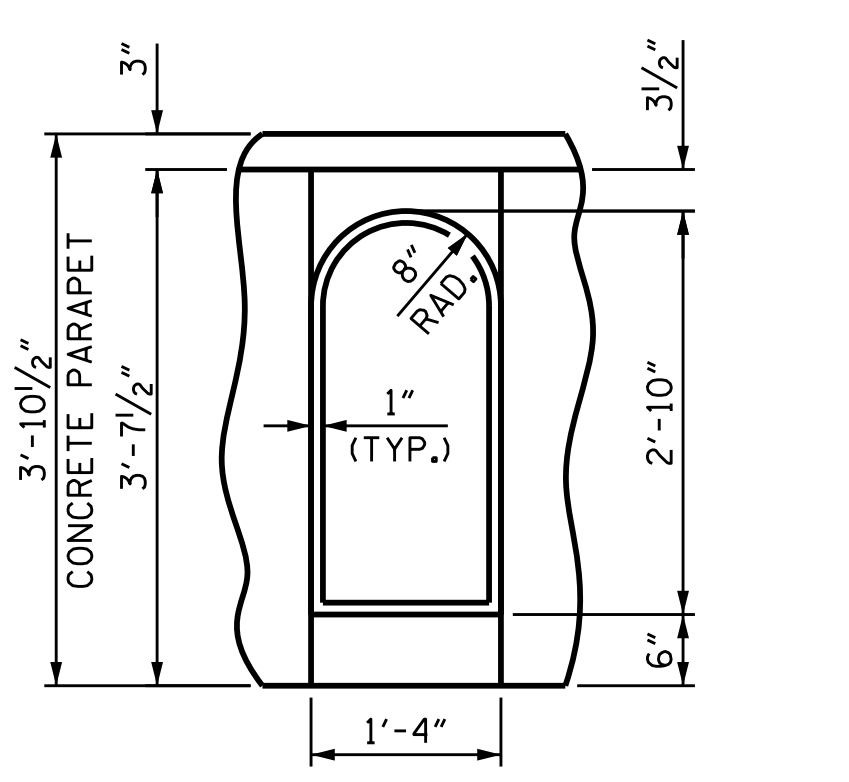


SPAN C

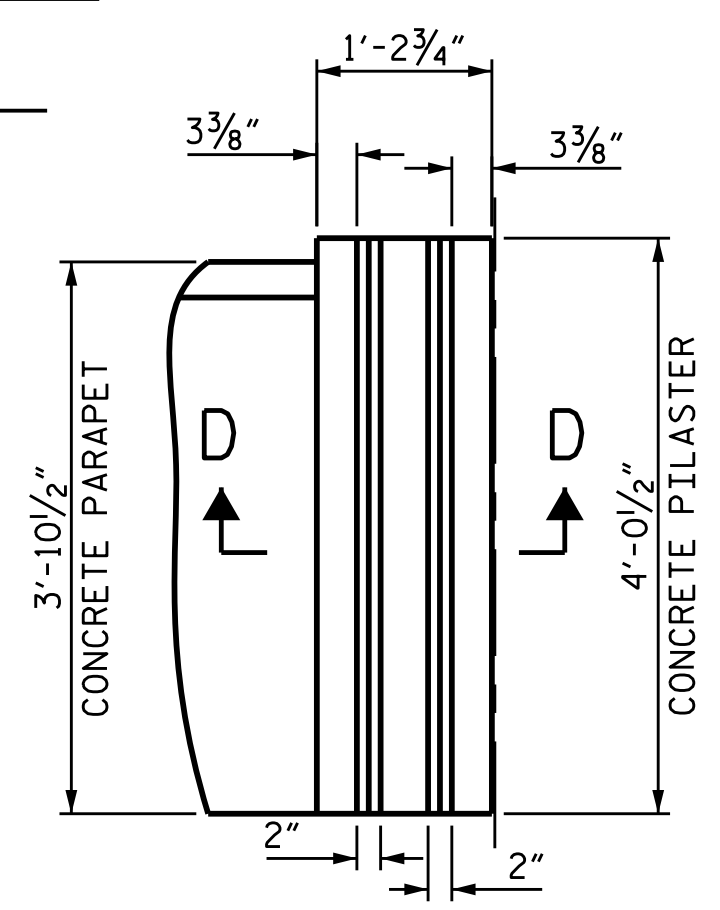
ELEVATION OF RIGHT PARAPET EXTERIOR FACE



SECTION D-D

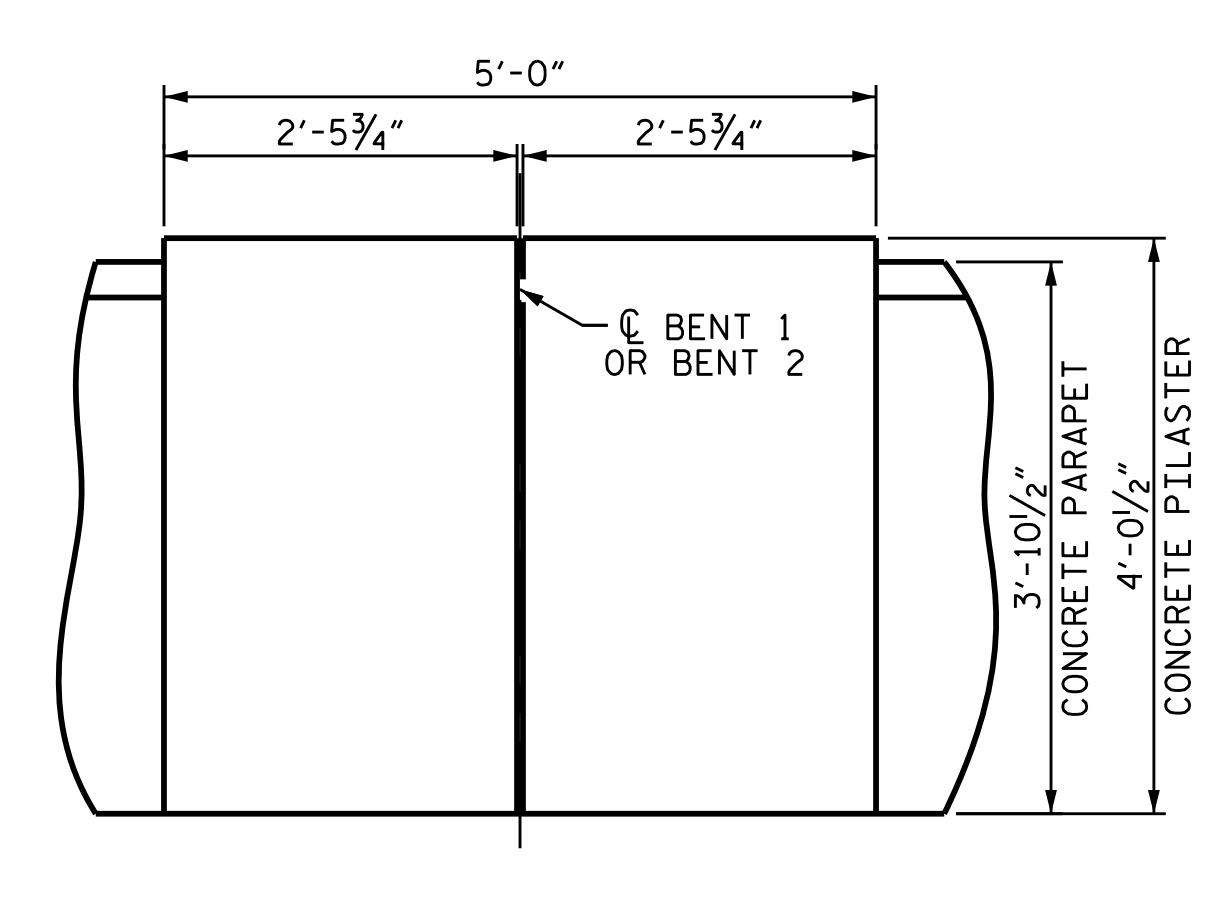


RECESSED PANEL DETAIL

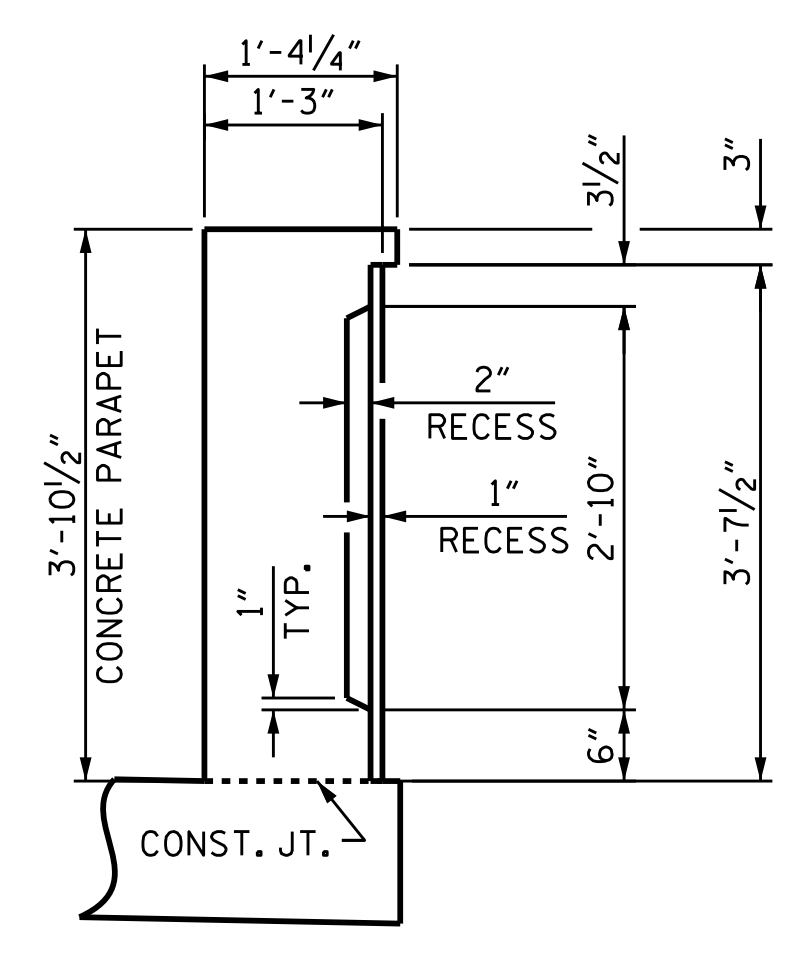


JOINT PILASTER DETAIL

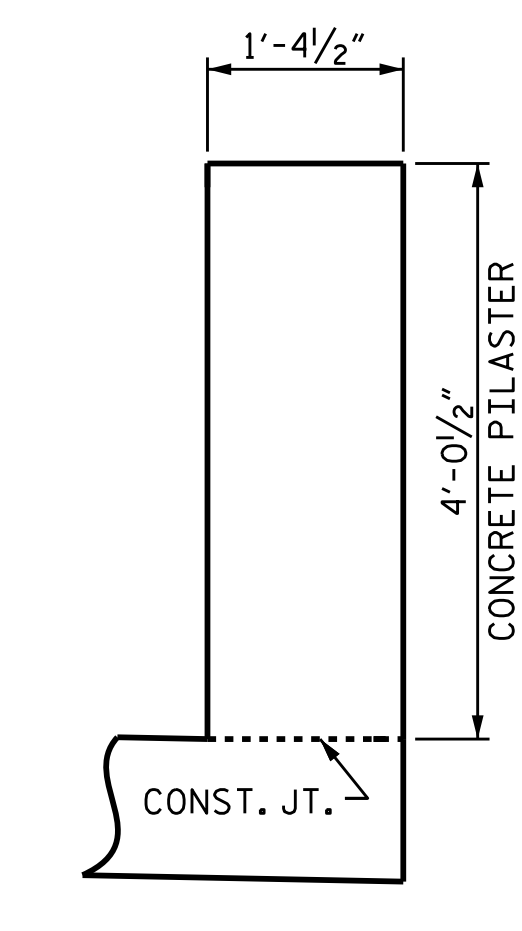
PILASTER TO LEFT OF JOINT SHOWN.
PILASTER TO RIGHT OF JOINT
SIMILAR BY ROTATION.



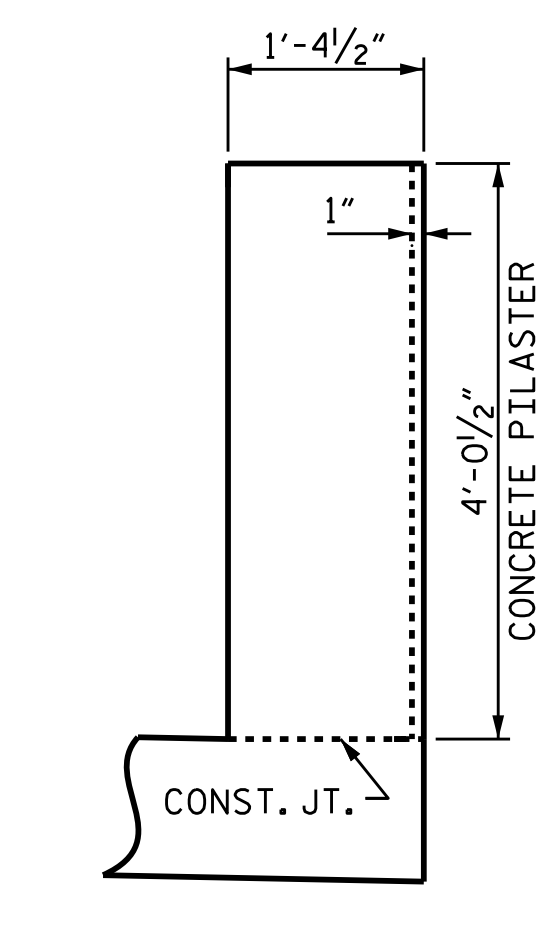
BENT PILASTER DETAIL



SECTION A-A



SECTION B-B



SECTION C-C

DRAWN BY : K.W. ALFORD DATE : 1/2016
CHECKED BY : J.L. AVERETTE DATE : 2/2016
DESIGN ENGINEER OF RECORD : K.W. ALFORD DATE : 2/2016

DOCUMENT NOT CONSIDERED
FINAL UNLESS ALL
SIGNATURES COMPLETED

PROJECT NO. B-5121/B-5317
WAKE COUNTY
STATION: 20+19.94 -FLYOVER-
SHEET 2 OF 2

STATE OF NORTH CAROLINA
DEPARTMENT OF TRANSPORTATION
RALEIGH

**PARAPET AESTHETIC
DETAILS**

REVISIONS						SHEET NO.
NO.	BY:	DATE:	NO.	BY:	DATE:	S-78
1			3			TOTAL SHEETS 110
2			4			