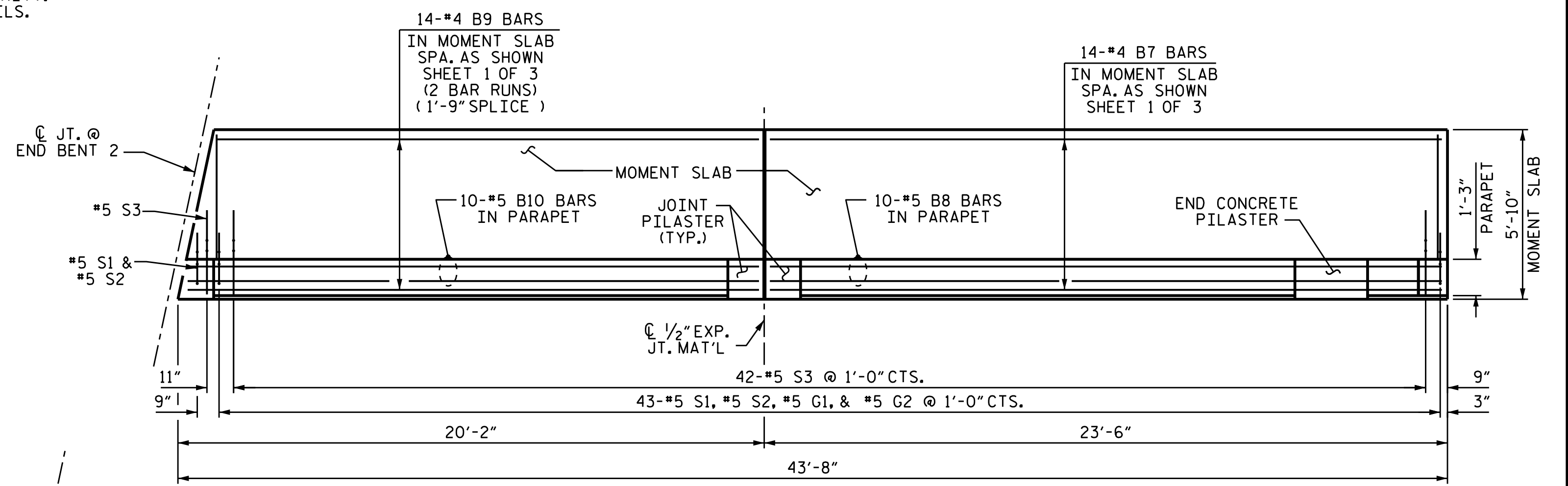


**PLAN OF MOMENT SLAB AND PARAPET - STAGE 1**

AESTHETIC DETAILS NOT SHOWN FOR CLARITY.  
SEE SHEET 3 OF 3 FOR AESTHETIC DETAILS.



**PLAN OF MOMENT SLAB AND PARAPET - STAGE 2**

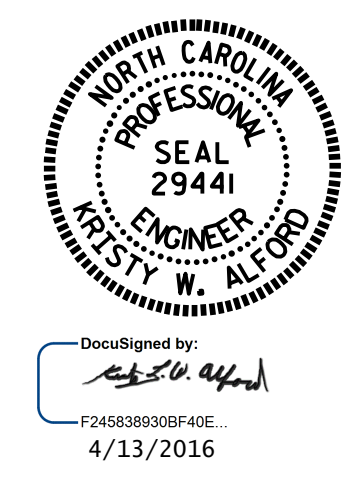
AESTHETIC DETAILS NOT SHOWN FOR CLARITY.  
SEE SHEET 3 OF 3 FOR AESTHETIC DETAILS.

PROJECT NO. B-5121/B-5317  
WAKE COUNTY  
STATION: 22+06.91 -L-

SHEET 2 OF 3

STATE OF NORTH CAROLINA  
DEPARTMENT OF TRANSPORTATION  
RALEIGH

MOMENT SLAB



DocuSigned by:  
K.W. Alford  
4/13/2016

DRAWN BY: K.W. ALFORD DATE: 2/2016  
CHECKED BY: J.P. ADAMS DATE: 2/2016  
DESIGN ENGINEER OF RECORD: K.W. ALFORD DATE: 2/2016

DOCUMENT NOT CONSIDERED  
FINAL UNLESS ALL  
SIGNATURES COMPLETED

REVISIONS						SHEET NO.
NO.	BY:	DATE:	NO.	BY:	DATE:	S-37
1			3			TOTAL SHEETS
2			4			110