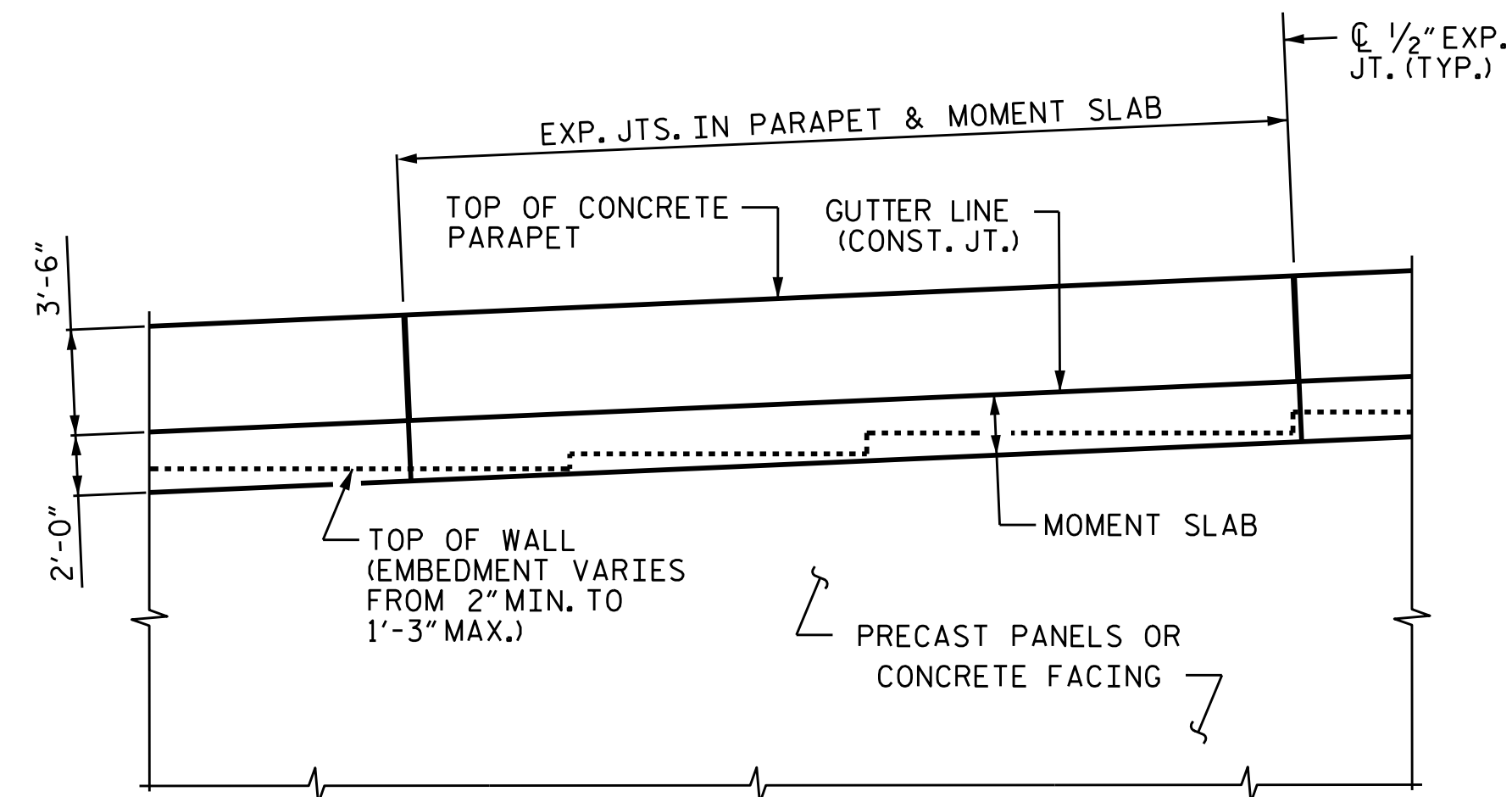


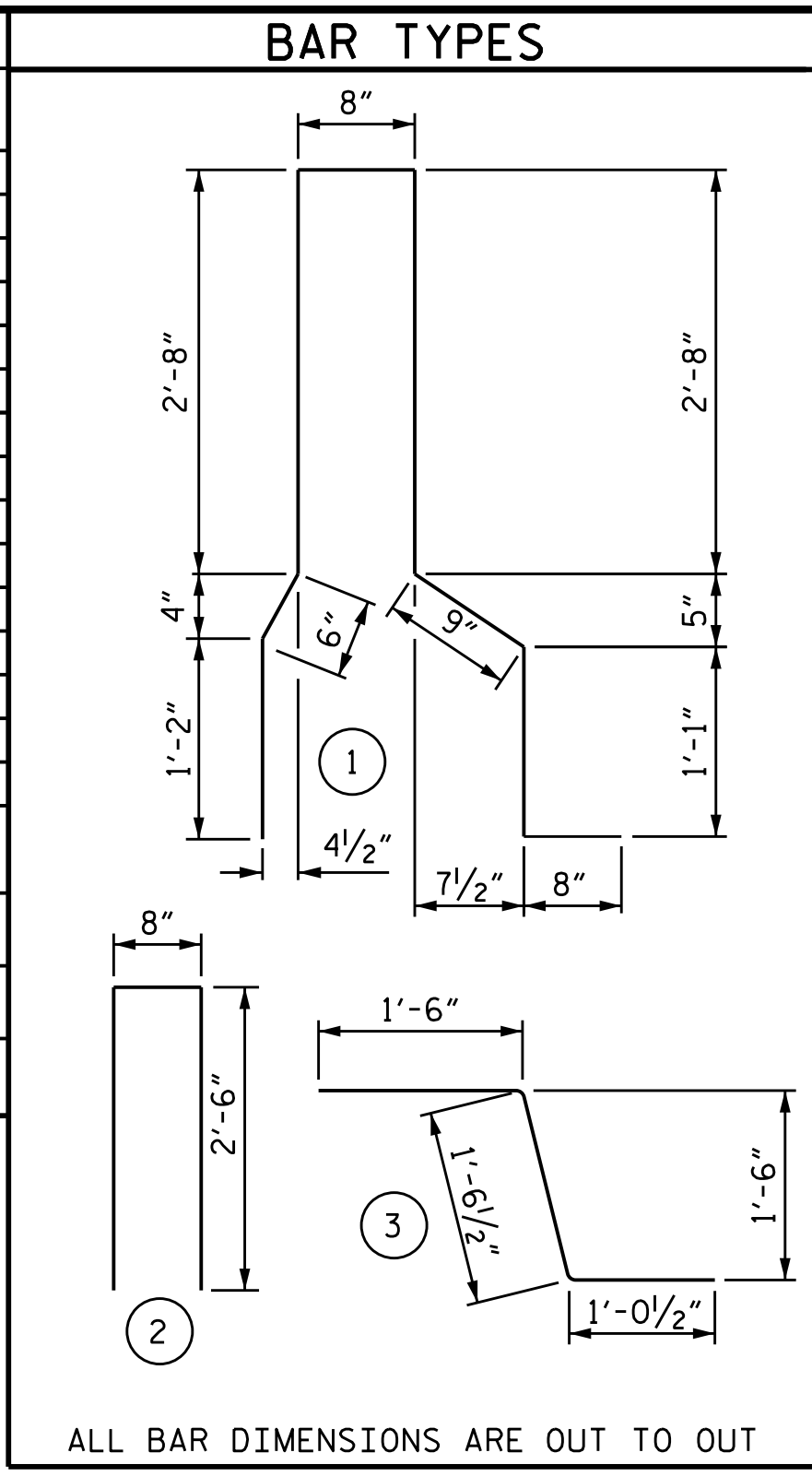
CONCRETE PARAPET WITH MOMENT SLAB



CONCRETE PARAPET WITH MOMENT SLAB - PARTIAL ELEVATION

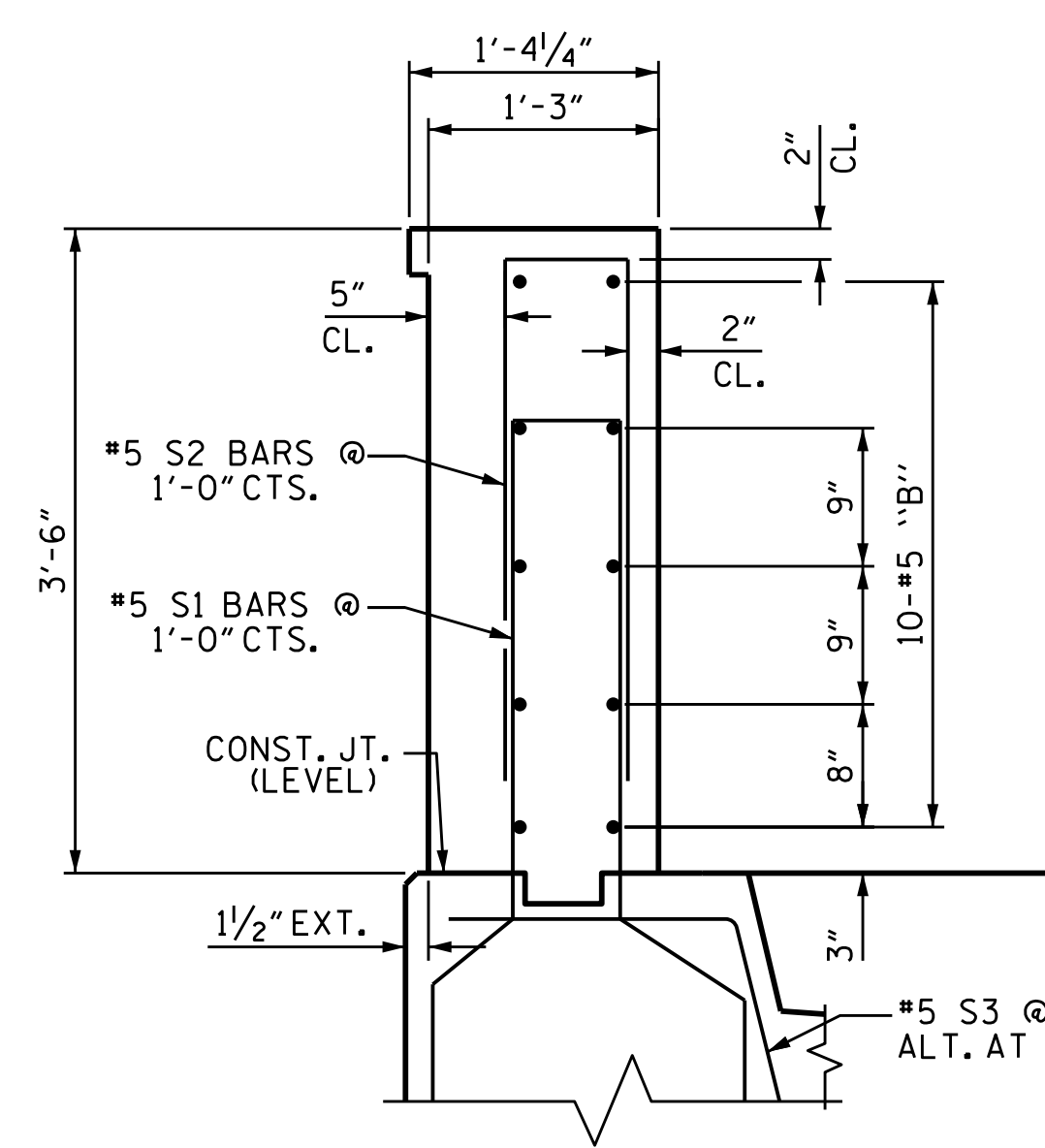
BILL OF MATERIAL						BILL OF MATERIAL					
STAGE 1						STAGE 2					
BAR	NO.	SIZE	TYPE	LENGTH	WEIGHT	BAR	NO.	SIZE	TYPE	LENGTH	WEIGHT
B1	28	#4	STR	29'-6"	552	B7	28	#4	STR	23'-0"	430
* B2	20	#5	STR	29'-6"	615	* B8	20	#5	STR	23'-0"	480
B3	28	#4	STR	14'-7"	273	B9	56	#4	STR	11'-3"	421
* B4	10	#5	STR	27'-0"	282	* B10	20	#5	STR	19'-5"	405
B5	28	#4	STR	13'-5"	251						
* B6	10	#5	STR	23'-9"	248	G1	87	#5	STR	4'-4"	393
						G2	87	#4	STR	4'-4"	252
G1	112	#5	STR	4'-4"	506	* S1	88	#5	1	10'-2"	933
G2	112	#4	STR	4'-4"	324	* S2	88	#5	2	5'-8"	520
						S3	86	#5	3	4'-1"	366
						REINFORCING STEEL				1862 LB	
						* EPOXY COATED REINFORCING STEEL				2338 LB	
						CLASS AA CONCRETE PARAPET				13.5 CY	
						CLASS A CONCRETE MOMENT SLAB				26.6 CY	
						CONCRETE PARAPET WITH MOMENT SLAB				87.03 LIN FT	
						REINFORCING STEEL				2379	
						* EPOXY COATED REINFORCING STEEL				3011 LB	
						CLASS AA CONCRETE PARAPET				17.2 CY	
						CLASS A CONCRETE MOMENT SLAB				34.2 CY	
						CONCRETE PARAPET WITH MOMENT SLAB				111.80 LIN FT	

CONCRETE PARAPET WITH MOMENT SLAB
PAY LENGTH = 198.83 LIN FT

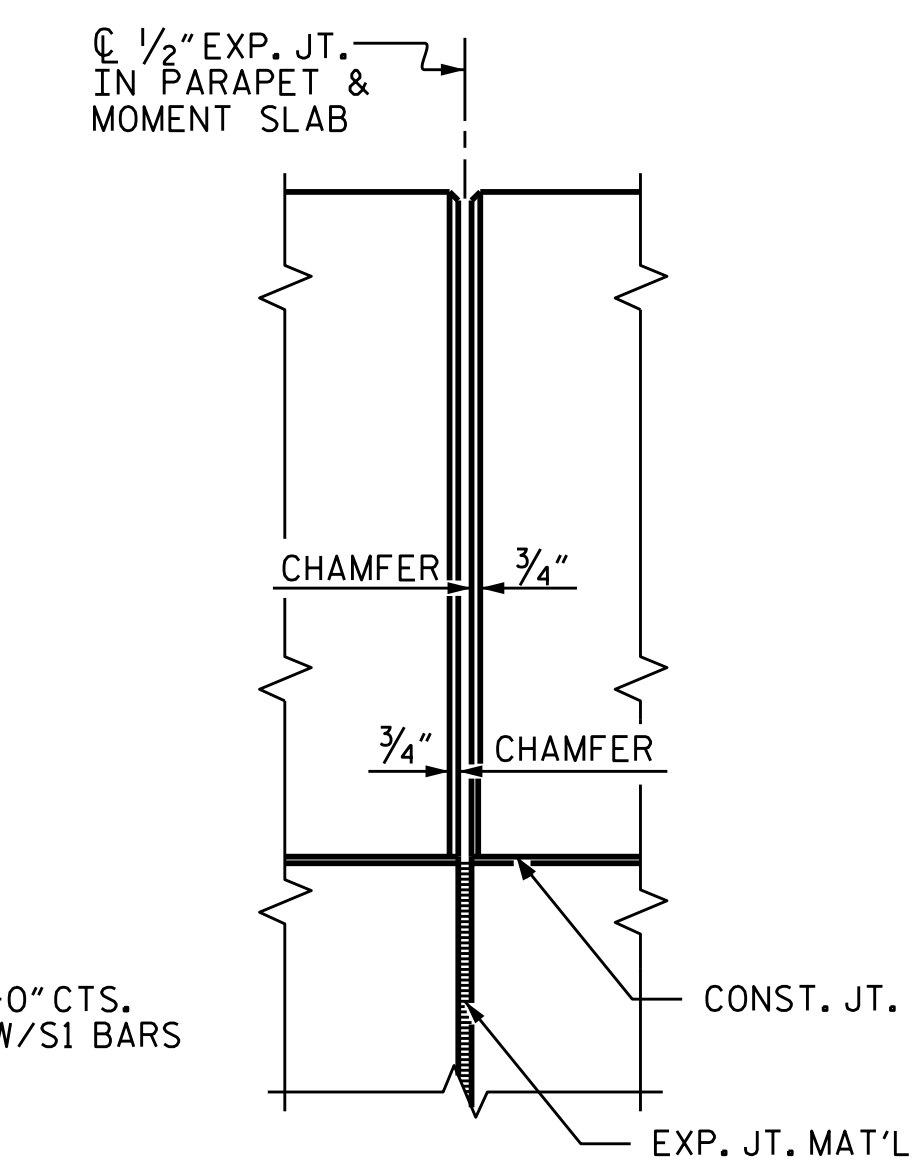


ALL BAR DIMENSIONS ARE OUT TO OUT

NOTES:
 FOR CONCRETE PARAPET WITH MOMENT SLAB, SEE CONCRETE PARAPET WITH MOMENT SLAB SPECIAL PROVISION.
 CONCRETE PARAPET WITH MOMENT SLAB SHALL BE A MINIMUM OF 15' IN LENGTH.
 EXPANSION JOINTS SHALL BE PLACED IN THE PARAPET AND MOMENT SLAB AS SHOWN ON SHEET 2 OF 3.
 GROOVED CONTRACTION JOINTS, 1/2" IN DEPTH, SHALL BE TOOLED IN ALL EXPOSED SURFACES OF THE PARAPET AND IN ACCORDANCE WITH ARTICLE 825-10(B) OF THE STANDARD SPECIFICATIONS. A CONTRACTION JOINT SHALL BE LOCATED AT EACH THIRD POINT BETWEEN PARAPET EXPANSION JOINTS. ONLY ONE CONTRACTION JOINT IS REQUIRED AT MID-POINT OF PARAPET SEGMENTS LESS THAN 20' IN LENGTH.
 THE PARAPET SHALL NOT BE CAST UNTIL THE MOMENT SLAB HAS ATTAINED AN AGE OF THREE CURING DAYS OR A MINIMUM COMPRESSIVE STRENGTH OF 2,000 PSI. IN ADDITION, NO FILL MATERIAL, ASPHALT, OR CONSTRUCTION EQUIPMENT IS ALLOWED ON THE MOMENT SLAB PRIOR TO SATISFYING THE MINIMUM CONCRETE CURING AND STRENGTH REQUIREMENTS.
 ALL REINFORCING STEEL IN THE PARAPET SHALL BE EPOXY COATED.
 IF EXISTING OR FUTURE OBSTRUCTIONS SUCH AS FOUNDATIONS, BARRIERS, PIPES, INLETS OR UTILITIES WILL INTERFERE WITH CONCRETE PARAPET WITH MOMENT SLAB OR CONCRETE FACING FOR RETAINING WALL WILL BE THICKER THAN 8", CONCRETE PARAPET WITH MOMENT SLAB DETAILS SHALL BE REVISED AND SUBMITTED FOR APPROVAL.
 AESTHETIC DETAILS NOT SHOWN FOR CLARITY. SEE SHEET 3 OF 3.



SECTION THRU PARAPET



ELEV. @ EXP. JOINTS

PARAPET DETAILS

PROJECT NO. B-5121/B-5317
 WAKE COUNTY
 STATION: 22+06.91 -L-

SHEET 1 OF 3

STATE OF NORTH CAROLINA
 DEPARTMENT OF TRANSPORTATION
 RALEIGH

MOMENT SLAB

REVISIONS						SHEET NO.
NO.	BY:	DATE:	NO.	BY:	DATE:	S-36
1			3			TOTAL SHEETS 110
2			4			

DocuSigned by:
 K.W. ALFORD
 4/13/2016

DRAWN BY: K.W. ALFORD DATE: 2/2016
 CHECKED BY: J.P. ADAMS DATE: 2/2016
 DESIGN ENGINEER OF RECORD: K.W. ALFORD DATE: 2/2016

DOCUMENT NOT CONSIDERED FINAL UNLESS ALL SIGNATURES COMPLETED