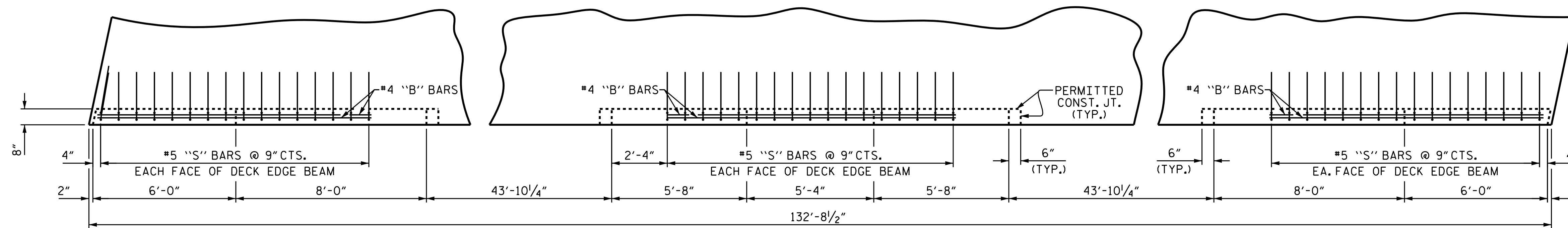
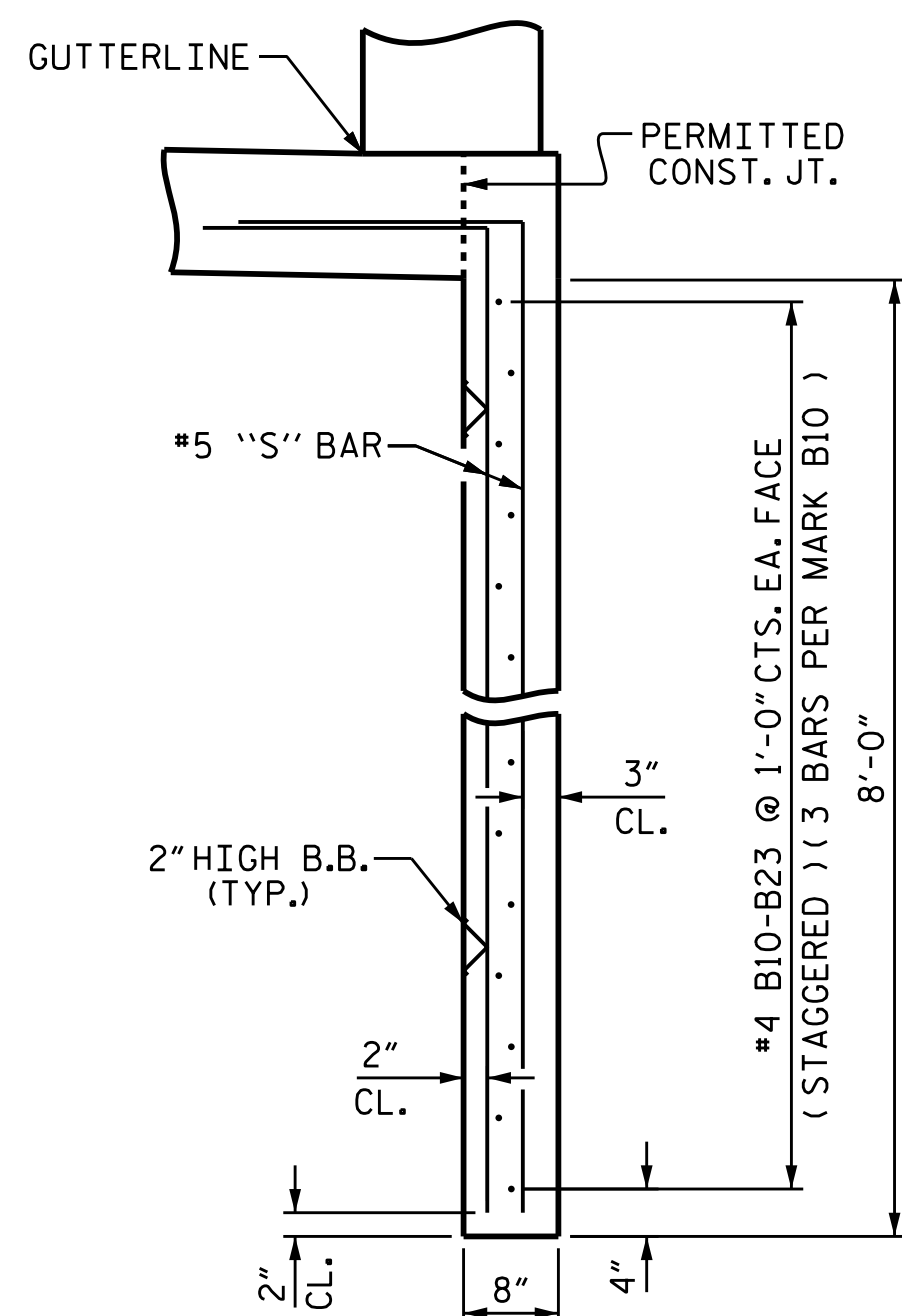


ELEVATION VIEW



PLAN VIEW

DECK EDGE BEAM IN RIGHT OVERHANG SHOWN.
DECK EDGE BEAM IN LEFT OVERHANG SIMILAR BY ROTATION.



SECTION A-A

NOTES:

DECK EDGE BEAM SHALL BE CAST WITH THE DECK.
NO CONSTRUCTION JOINT SHALL BE ALLOWED BETWEEN THE DECK EDGE BEAMS AND THE DECK, EXCEPT AS SHOWN.

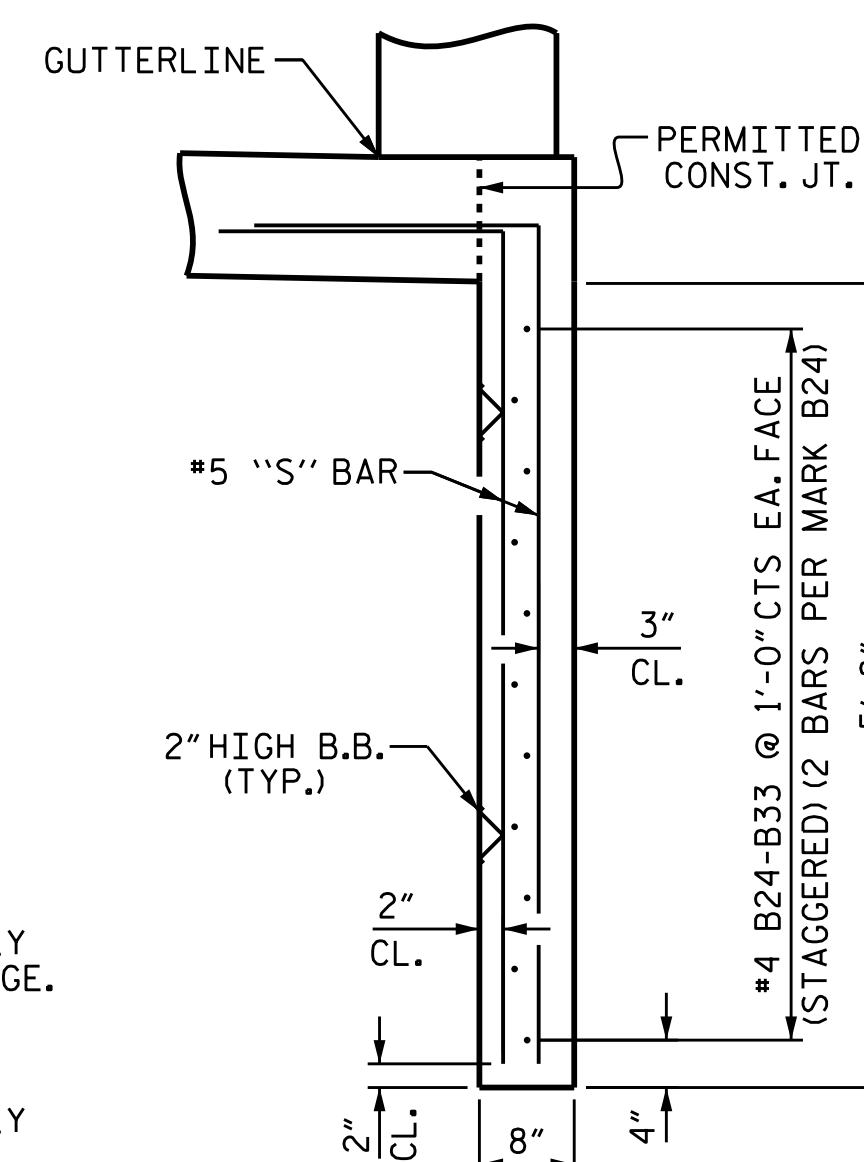
AESTHETIC DETAILS NOT SHOWN FOR CLARITY. SEE SHEET 2 OF 2 FOR AESTHETIC DETAILS.

DECK REINFORCING STEEL NOT SHOWN FOR CLARITY. SEE "PLAN OF SPANS" SHEETS.

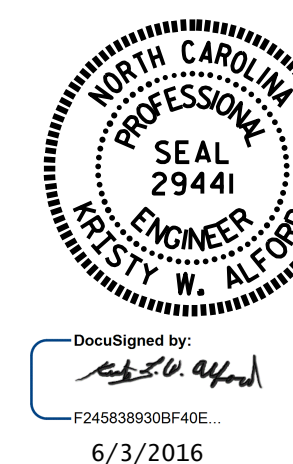
CONCRETE PARAPET DETAILS NOT SHOWN FOR CLARITY. SEE "CONCRETE PARAPET" SHEETS.

FORMED HOLES FOR PRECAST PANELS NOT SHOWN FOR CLARITY. REINFORCING STEEL MAY BE SHIFTED SLIGHTLY TO AVOID INTERFERENCE WITH PRECAST PANEL ANCHORAGE. SEE "PRECAST PANEL" SHEETS.

ANCHORAGE FOR LUMINAIRE BRACKETS NOT SHOWN FOR CLARITY. REINFORCING STEEL MAY BE SHIFTED SLIGHTLY TO AVOID INTERFERENCE WITH LUMINAIRE BRACKET ANCHORAGE. SEE "ARCHITECTURAL METAL FASCIA DETAILS" SHEETS.



SECTION B-B



PROJECT NO. B-5121/B-5317
WAKE COUNTY
STATION: 22+06.91 -L-

SHEET 1 OF 2

STATE OF NORTH CAROLINA
DEPARTMENT OF TRANSPORTATION
RALEIGH
SUPERSTRUCTURE
DECK EDGE BEAM

DRAWN BY : K.W. ALFORD DATE : 2/2016
CHECKED BY : J.P. ADAMS DATE : 2/2016
DESIGN ENGINEER OF RECORD : K.W. ALFORD DATE : 2/2016

DOCUMENT NOT CONSIDERED
FINAL UNLESS ALL
SIGNATURES COMPLETED

REVISIONS						SHEET NO.
NO.	BY:	DATE:	NO.	BY:	DATE:	S-10
1			3			TOTAL SHEETS
2			4			110