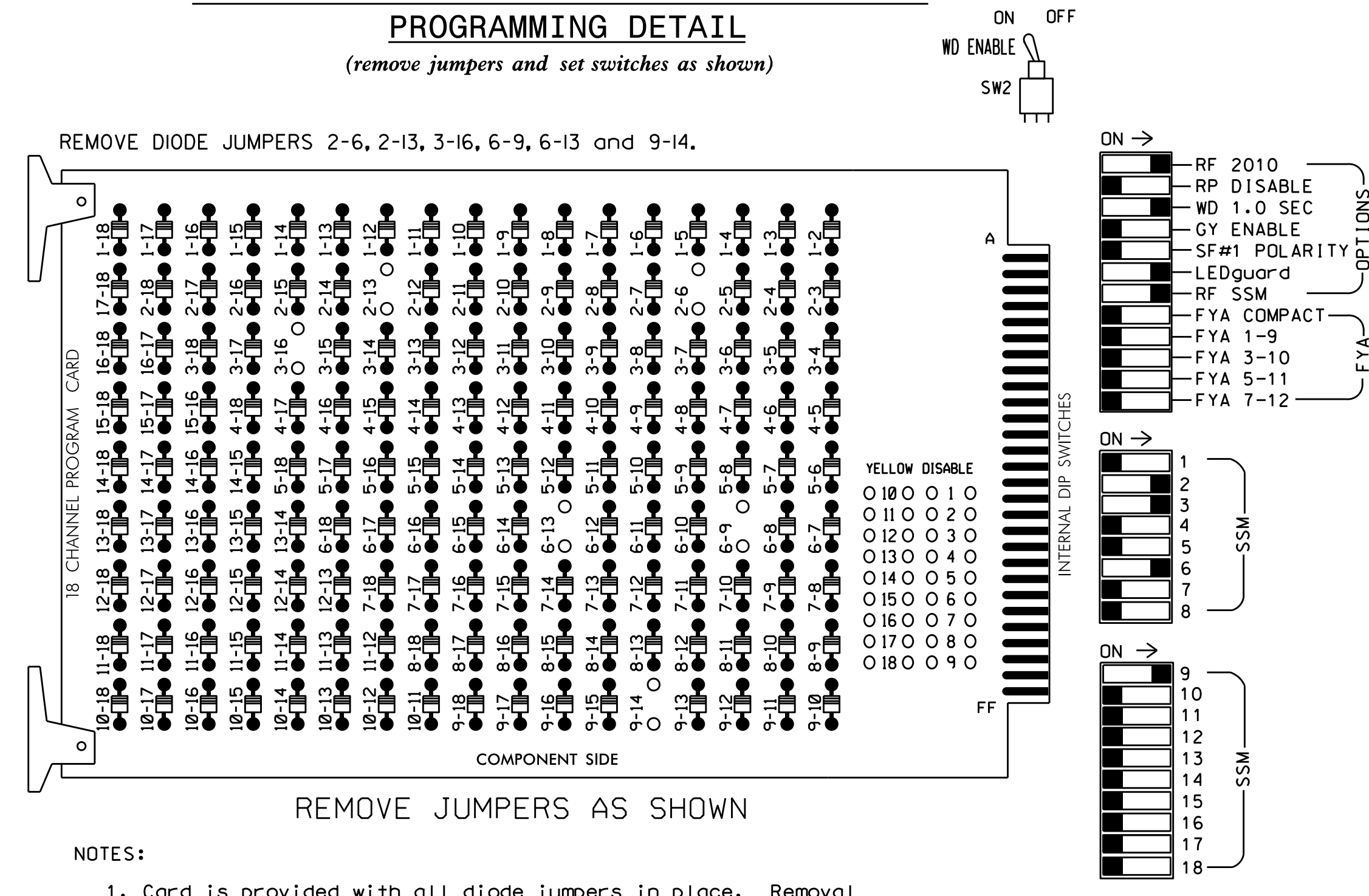


EDI MODEL 2018ECL-NC CONFLICT MONITOR PROGRAMMING DETAIL
(remove jumpers and set switches as shown)



- NOTES:**
1. Card is provided with all diode jumpers in place. Removal of any jumper allows its channels to run concurrently.
 2. Ensure jumpers SEL2-SEL5 and SEL9 are present on the monitor board.
 3. Ensure that Red Enable is active at all times during normal operation.
 4. Connect serial cable from conflict monitor to comm. port 1 of 2070 controller. Ensure conflict monitor communicates with 2070.

NOTES

1. To prevent "flash-conflict" problems, insert red flash program blocks for all unused vehicle load switches in the output file. The installer shall verify that signal heads flash in accordance with the Signal Plans.
2. Program controller to start up in phases 2 and 6 green.
3. Enable simultaneous gap-out feature, on controller unit, for all phases.
4. The cabinet and controller are part of the Raleigh Signal System.

EQUIPMENT INFORMATION

CONTROLLER.....2070L
 CABINET.....332 /W/ AUX
 SOFTWARE.....SE-PAC2070
 CABINET MOUNT.....BASE
 OUTPUT FILE POSITIONS...18 WITH AUX. OUTPUT FILE LOAD SWITCHES USED.....S2,S3,S4,S6,S8,S12,AUX S1
 PHASES USED.....*1,2,2 PED,3,3 PED,*4,4 PED,6 OVERLAP A.....1+4
 * Phase used for timing purposes

SIGNAL HEAD HOOK-UP CHART

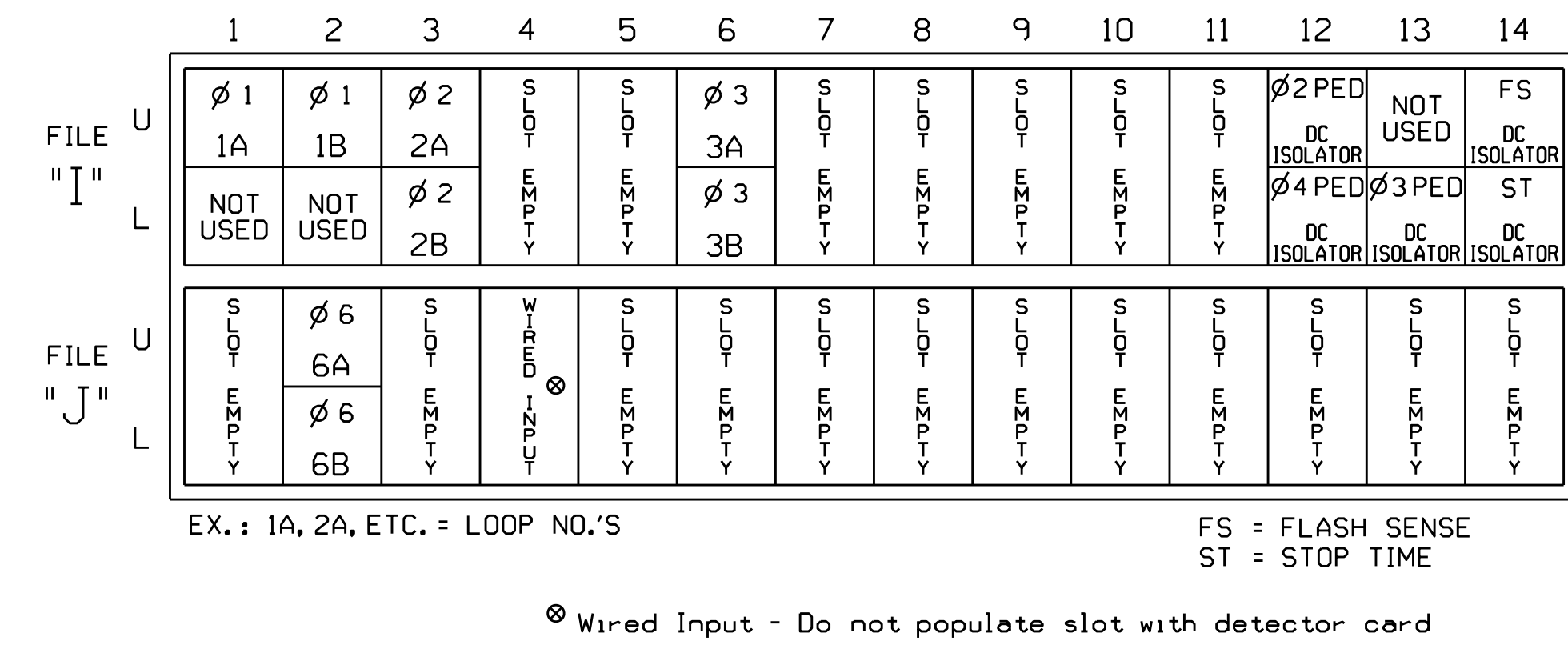
LOAD SWITCH NO.	S1	S2	S3	S4	S5	S6	S7	S8	S9	S10	S11	S12	AUX S1	AUX S2	AUX S3	AUX S4	AUX S5	AUX S6
CMU CHANNEL NO.	1	2	13	3	4	14	5	6	15	7	8	16	9	10	17	11	12	18
PHASE	1	2	2 PED	3	4	4 PED	5	6	6 PED	7	8	3 PED	OLA	OLB	SPARE	OLC	OLD	SPARE
SIGNAL HEAD NO.	NC	21,22	P21, P22	31,32	NC	P41, P42	NU	61,62	NU	NU	NU	P31, P32	32,61	NU	NU	NU	NU	NU
RED		128		116				134					*					
YELLOW		129		117				135										
GREEN		130		118				136										
RED ARROW																		
YELLOW ARROW													A122					
GREEN ARROW													A123					
Hand icon				113			104					110						
Walking person icon				115			106					112						

NU = Not Used
 NC = No Connection, phase used for timing purposes.
 * Denotes install load resistor. See load resistor installation detail this sheet.

COUNTDOWN PEDESTRIAN SIGNAL OPERATION

Countdown Ped Signals are required to display timing only during Ped Clearance Interval. Consult Ped Signal Module user's manual for instructions on selecting this feature.

INPUT FILE POSITION LAYOUT
(front view)



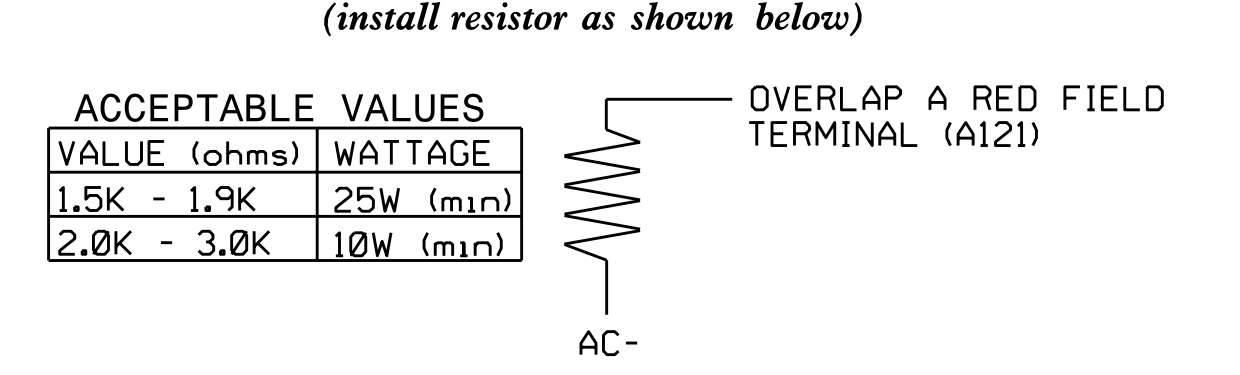
INPUT FILE CONNECTION & PROGRAMMING CHART

LOOP NO.	LOOP TERMINAL	INPUT FILE POS.	PIN NO.	DETECTOR NO.	NEMA PHASE	DELAY TIME	EXTEND (STRETCH) TIME
1A ¹	TB2-1,2	I1U	56	1	1	15	
	-	J4U	48	25	6		
1B	TB2-5,6	I2U	39	3	1	15	
2A	TB2-9,10	I3U	63	5	2		
2B	TB2-11,12	I3L	76	6	2		
3A	TB4-9,10	I6U	41	11	3	3	
3B	TB4-11,12	I6L	45	12	3		
6A	TB3-5,6	J2U	40	21	6		
6B	TB3-7,8	J2L	44	22	6		
PED PUSH BUTTONS							
P21,P22	TB8-4,6	I12U	67	PED 2	2	PED	
P31,P32	TB8-8,9	I13L	70	PED 8	3	PED	
P41,P42	TB8-5,6	I12L	69	PED 4	4	PED	

NOTE:
 INSTALL DC ISOLATORS IN INPUT FILE SLOTS I12 AND I13.

¹Add jumper from I1-W to J4-W, on rear of input file.
 INPUT FILE POSITION LEGEND: J2L
 FILE J
 SLOT 2
 LOWER

LOAD RESISTOR INSTALLATION DETAIL
(install resistor as shown below)



THIS ELECTRICAL DETAIL IS FOR THE SIGNAL DESIGN: R-0138
 DESIGNED: December 2015
 SEALED: 1/25/2016
 REVISED: N/A

Prepared In the Offices of: **Transporatio Mobility and Safety Solutions**
 750 N. Greenfield Pkwy, Garner, NC 27529

W. Peace Street at N. Harrington Street

Division 5 Wake County Raleigh

PLAN DATE: January 2016 REVIEWED BY:
 PREPARED BY: C. Strickland REVIEWED BY:

REVISIONS INIT. DATE

DocuSigned by: **Keith M. Mims** 2/1/2016
 SEAL NORTH CAROLINA PROFESSIONAL ENGINEER KEITH M. MIMS
 2F80766EC0344S DATE
 SIG. INVENTORY NO. R-0138

01-1-2016 09:03 S:\IT\ASIS\IS: Signal\work\hous\sig\Map\511\ck\lander\0138_sm.e\c_xxx.dgn