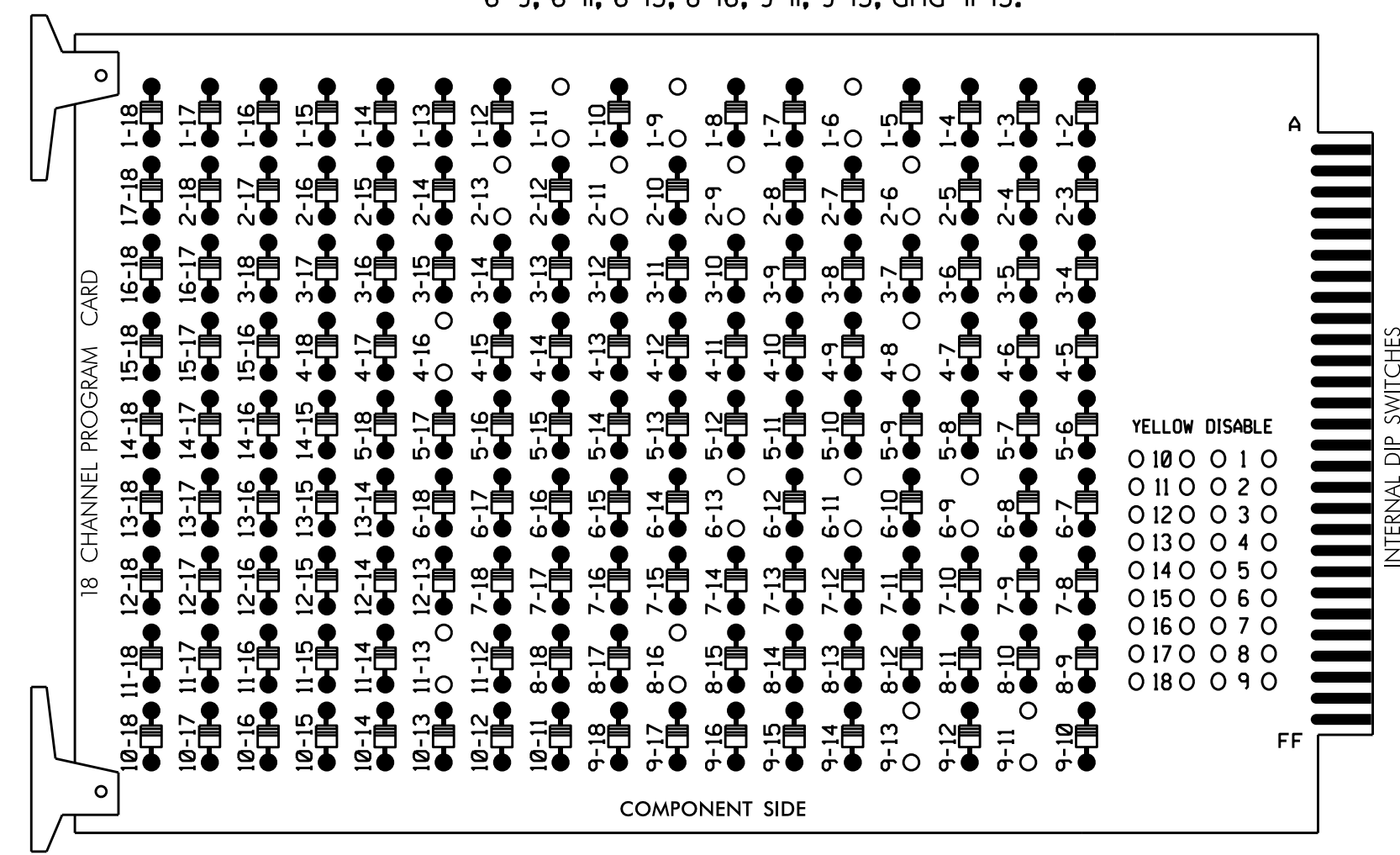


EDI MODEL 2018ECL-NC CONFLICT MONITOR PROGRAMMING DETAIL
(remove jumpers and set switches as shown)

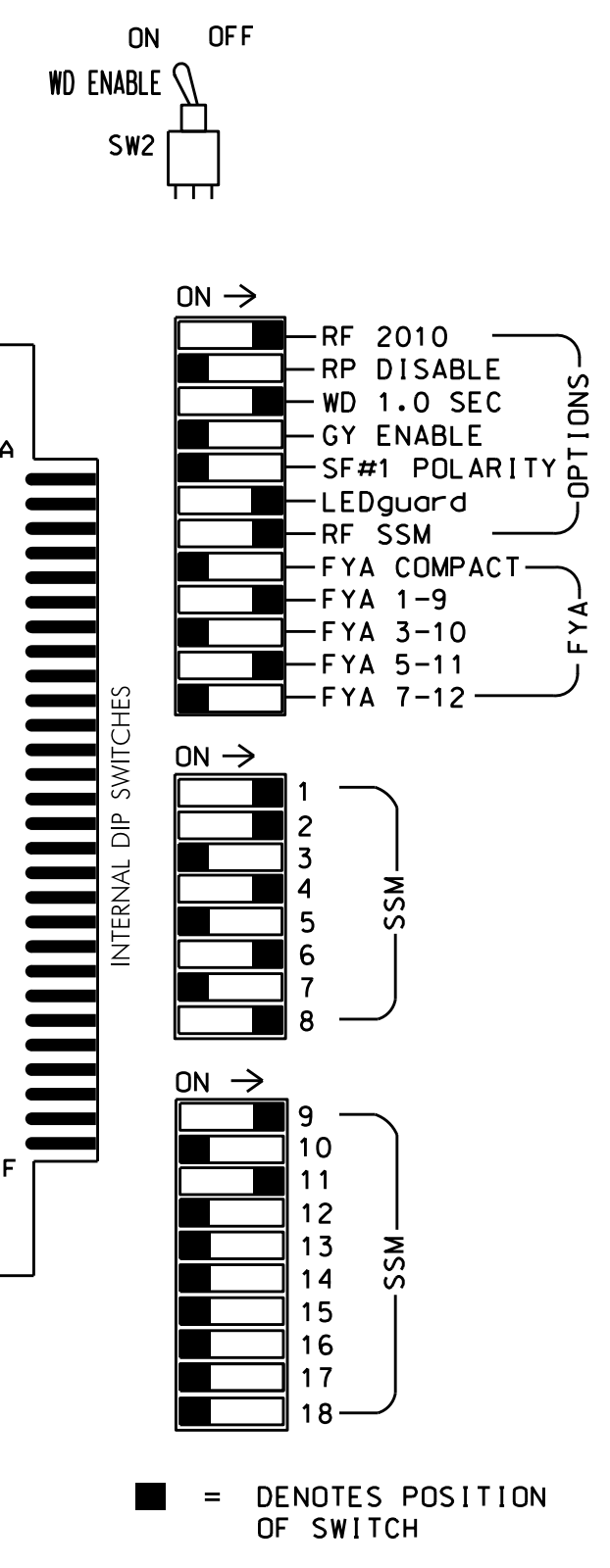
REMOVE DIODE JUMPERS 1-6, 1-9, 1-11, 2-6, 2-9, 2-11, 2-13, 4-8, 4-16, 6-9, 6-11, 6-13, 8-16, 9-11, 9-13, and 11-13.



REMOVE JUMPERS AS SHOWN

NOTES:

- Card is provided with all diode jumpers in place. Removal of any jumper allows its channels to run concurrently.
- Ensure jumpers SEL2-SEL5 and SEL9 are present on the monitor board.
- Ensure that Red Enable is active at all times during normal operation.
- Connect serial cable from conflict monitor to comm. port 1 of 2070 controller. Ensure conflict monitor communicates with 2070.



NOTES

- To prevent "flash-conflict" problems, insert red flash program blocks for all unused vehicle load switches in the output file. The installer shall verify that signal heads flash in accordance with the Signal Plans.
- Program controller to start up in phases 2 and 6 green.
- Enable simultaneous gap-out feature, on controller unit, for all phases.
- Program phases 4 and 8, on controller unit, for dual entry.
- The cabinet and controller are part of the Raleigh Signal System.

EQUIPMENT INFORMATION

CONTROLLER.....2070
 CABINET.....332 W/ AUX
 SOFTWARE.....SE-PAC2070
 CABINET MOUNT.....BASE
 OUTPUT FILE POSITIONS...18 WITH AUX FILE
 LOAD SWITCHES USED.....S1,S2,S3,S5,S8,S11,S12,
 AUX S1,AUX S4
 PHASES USED.....1,2,2PED,4,6,8,8PED
 OVERLAP A.....*
 OVERLAP B.....NOT USED
 OVERLAP C.....*
 OVERLAP D.....NOT USED
 * SEE SHEET 2 FOR OVERLAP PROGRAMMING

SIGNAL HEAD HOOK-UP CHART

LOAD SWITCH NO.	S1	S2	S3	S4	S5	S6	S7	S8	S9	S10	S11	S12	AUX S1	AUX S2	AUX S3	AUX S4	AUX S5	AUX S6
CMU CHANNEL NO.	1	2	13	3	4	14	5	6	15	7	8	16	9	10	17	11	12	18
PHASE	1	2	2 PED	3	4	4 PED	5	6	6 PED	7	8	8 PED	OLA	OLB	SPARE	OLC	OLD	SPARE
SIGNAL HEAD NO.	11*	82	21,22 24	P21, P22	NU	41,42	NU	NU	61,62	NU	NU	81,82	P81, P82	11*	NU	NU	23*	NU
RED	*	128			101			134				107						
YELLOW		129			102			135				108						
GREEN		130			103			136				109						
RED ARROW														A121				A114
YELLOW ARROW		126												A122				A115
FLASHING YELLOW ARROW														A123				A116
GREEN ARROW	127	127																
Hand icon						113												110
Walking person icon						115												112

NU = Not Used
 * Denotes install load resistor. See load resistor installation detail this sheet.
 ★ See pictorial of head wiring in detail below.

INPUT FILE POSITION LAYOUT
(front view)

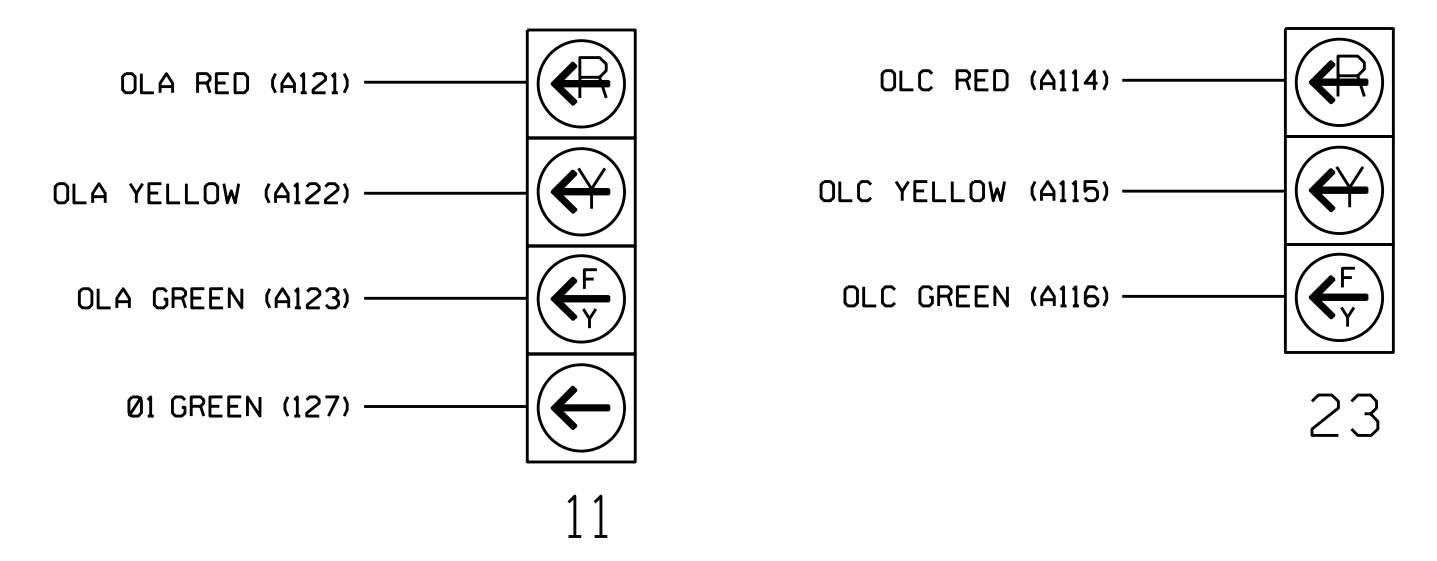
FILE "I"	1	2	3	4	5	6	7	8	9	10	11	12	13	14	
U	∅ 1 1A	∅ 1 1B	∅ 5 -∅ 5	∅ 5 -∅ 5	∅ 5 -∅ 5	∅ 4 4A	∅ 5 -∅ 5	∅ 5 -∅ 5	∅ 5 -∅ 5	∅ 5 -∅ 5	∅ 5 -∅ 5	∅ 5 -∅ 5	∅ 2 PED DC ISOLATOR	NOT USED	FS DC ISOLATOR
L	NOT USED	∅ 2 2A	∅ 3 -∅ 3	∅ 3 -∅ 3	∅ 3 -∅ 3	∅ 4 4B	∅ 5 -∅ 5	∅ 5 -∅ 5	∅ 5 -∅ 5	∅ 5 -∅ 5	∅ 5 -∅ 5	∅ 5 -∅ 5	∅ 2 PED DC ISOLATOR	∅ 8 PED DC ISOLATOR	ST DC ISOLATOR
U	∅ 5 -∅ 5	∅ 6 6A	∅ 7 -∅ 7	∅ 7 -∅ 7	∅ 7 -∅ 7	∅ 8 8A	∅ 5 -∅ 5	∅ 5 -∅ 5	∅ 5 -∅ 5	∅ 5 -∅ 5	∅ 5 -∅ 5	∅ 5 -∅ 5	∅ 5 -∅ 5	∅ 5 -∅ 5	∅ 5 -∅ 5
L	∅ 5 -∅ 5	NOT USED	∅ 7 -∅ 7	∅ 7 -∅ 7	∅ 7 -∅ 7	NOT USED	∅ 5 -∅ 5	∅ 5 -∅ 5	∅ 5 -∅ 5	∅ 5 -∅ 5	∅ 5 -∅ 5	∅ 5 -∅ 5	∅ 5 -∅ 5	∅ 5 -∅ 5	∅ 5 -∅ 5

EX.: 1A, 2A, ETC. = LOOP NO.'S
 FS = FLASH SENSE
 ST = STOP TIME
 ⊗ Wired Input - Do not populate slot with detector card

COUNTDOWN PEDESTRIAN SIGNAL OPERATION

Countdown Ped Signals are required to display timing only during Ped Clearance Interval. Consult Ped Signal Module user's manual for instructions on selecting this feature.

FYA SIGNAL WIRING DETAIL
(wire signal heads as shown)



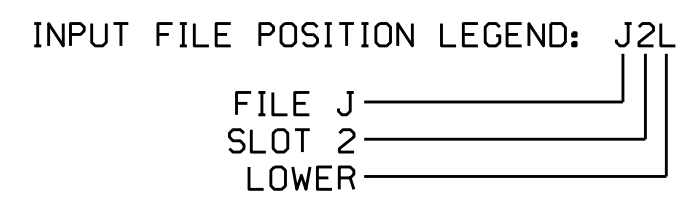
NOTE: See sheet 2 for Protected & Permitted Phases programming.

INPUT FILE CONNECTION & PROGRAMMING CHART

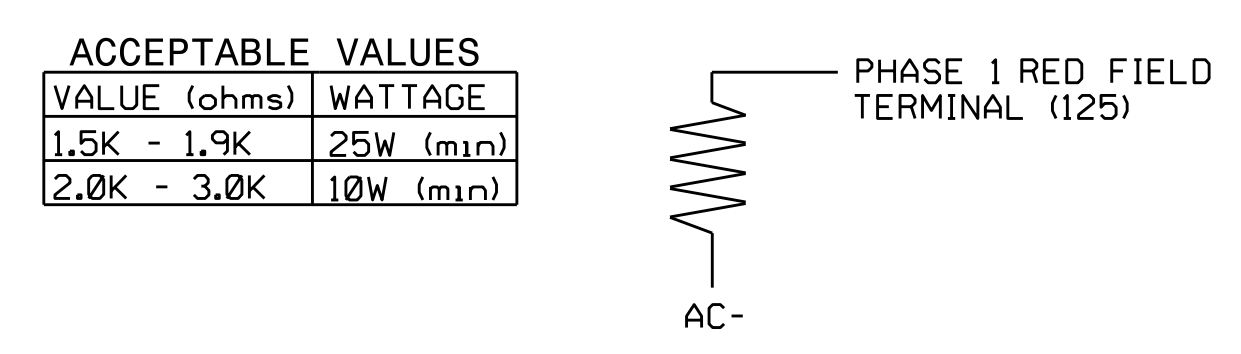
LOOP NO.	LOOP TERMINAL	INPUT FILE POS.	PIN NO.	DETECTOR NO.	NEMA PHASE	DELAY TIME	EXTEND (STRETCH) TIME
1A ¹	TB2-1,2	I1U	56	1	1	15	
	-	J4U	48	25	6		
1B	TB2-5,6	I2U	39	3	1	15	
2A	TB2-7,8	I2L	43	4	2		
4A	TB4-9,10	I6U	41	11	4	3	
4B	TB4-11,12	I6L	45	12	4	10	
6A	TB3-5,6	J2U	40	21	6		
8A	TB5-9,10	J6U	42	31	8	3	
PED PUSH BUTTONS							
P21,P22	TB8-4,6	I12U	67	PED 2	2 PED		
P81,P82	TB8-8,9	I13L	70	PED 8	8 PED		

NOTE: INSTALL DC ISOLATORS IN INPUT FILE SLOTS 112 AND 113.

¹Add jumper from I1-W to J4-W, on rear of input file.



LOAD RESISTOR INSTALLATION DETAIL
(install resistor as shown below)



THIS ELECTRICAL DETAIL IS FOR THE SIGNAL DESIGN: R-0046T1
 DESIGNED: December 2015
 SEALED: 1/29/2016
 REVISED: N/A

DOCUMENT NOT CONSIDERED FINAL UNLESS ALL SIGNATURES COMPLETED

Electrical Detail - Temp Design 1 (TMP Area II, Phase I, Stage I) - Sheet 1 of 2

ELECTRICAL AND PROGRAMMING DETAILS FOR: Prepared In the Offices of: 750 N. Greenfield Pkwy, Garner, NC 27529	W. Peace Street at N. West Street		SEAL
	Division 5 PLAN DATE: January 2016 PREPARED BY: S. Armstrong	Wake County Raleigh REVIEWED BY: T. Joyce REVIEWED BY:	REVISIONS INIT. DATE