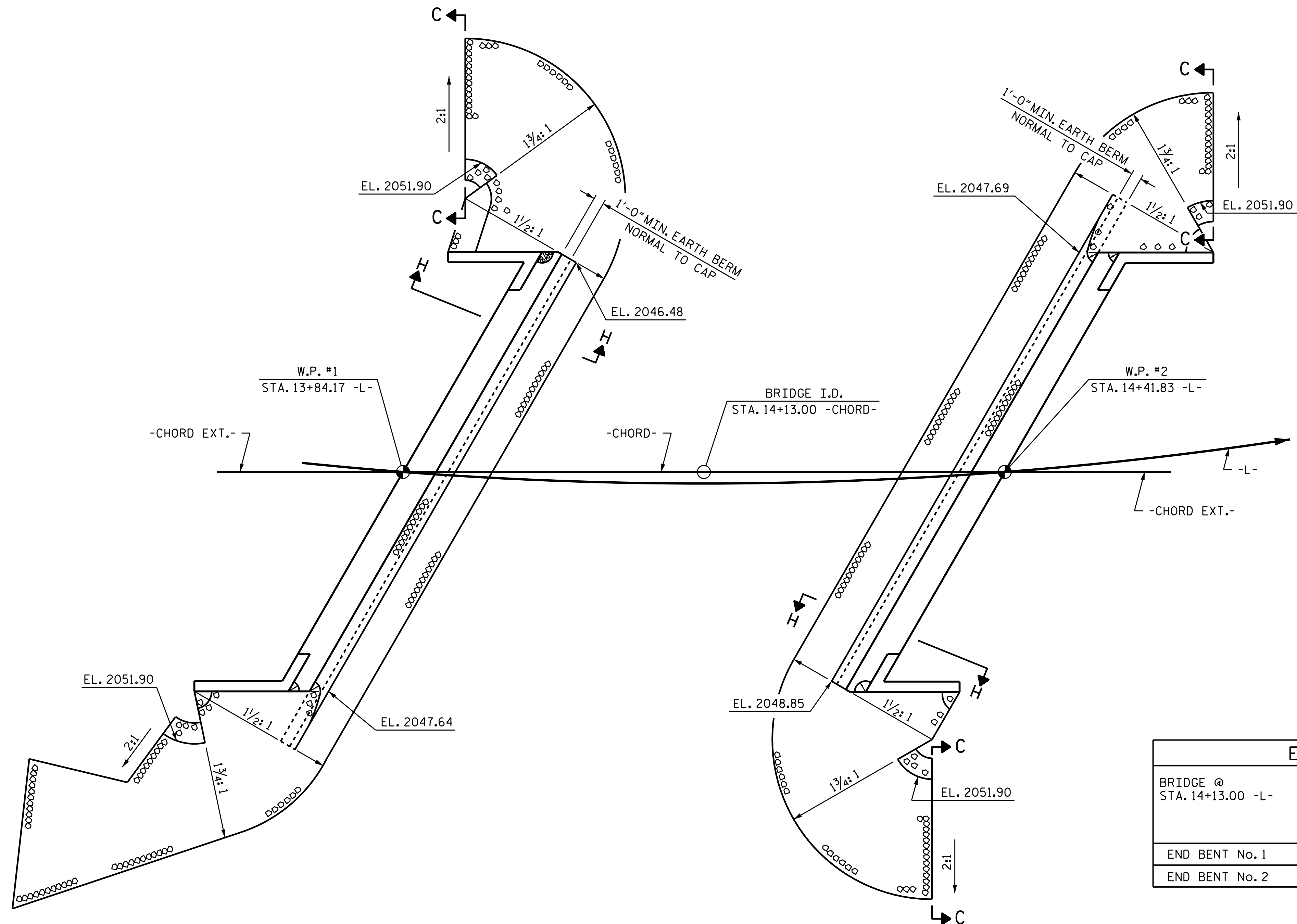
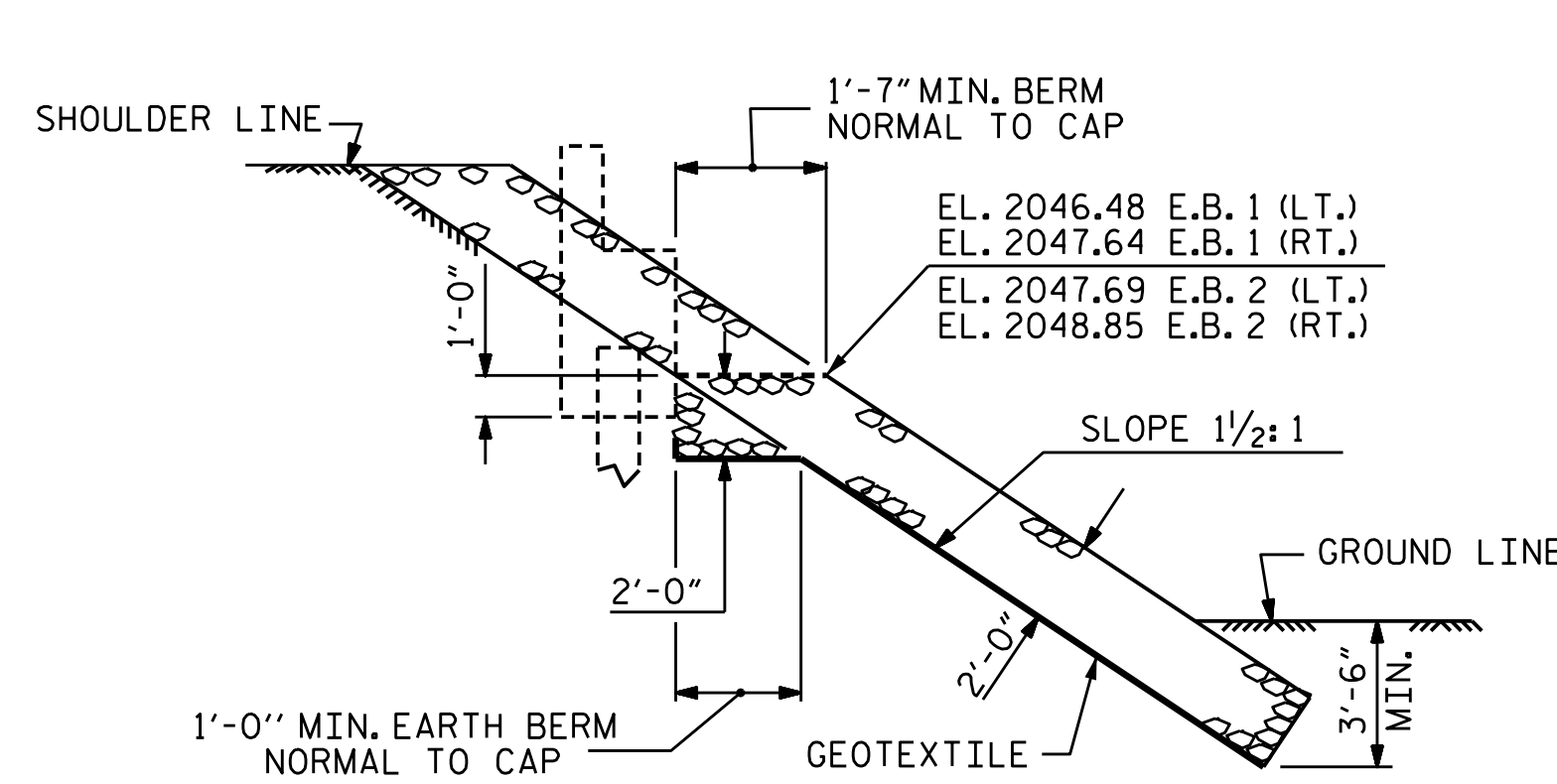


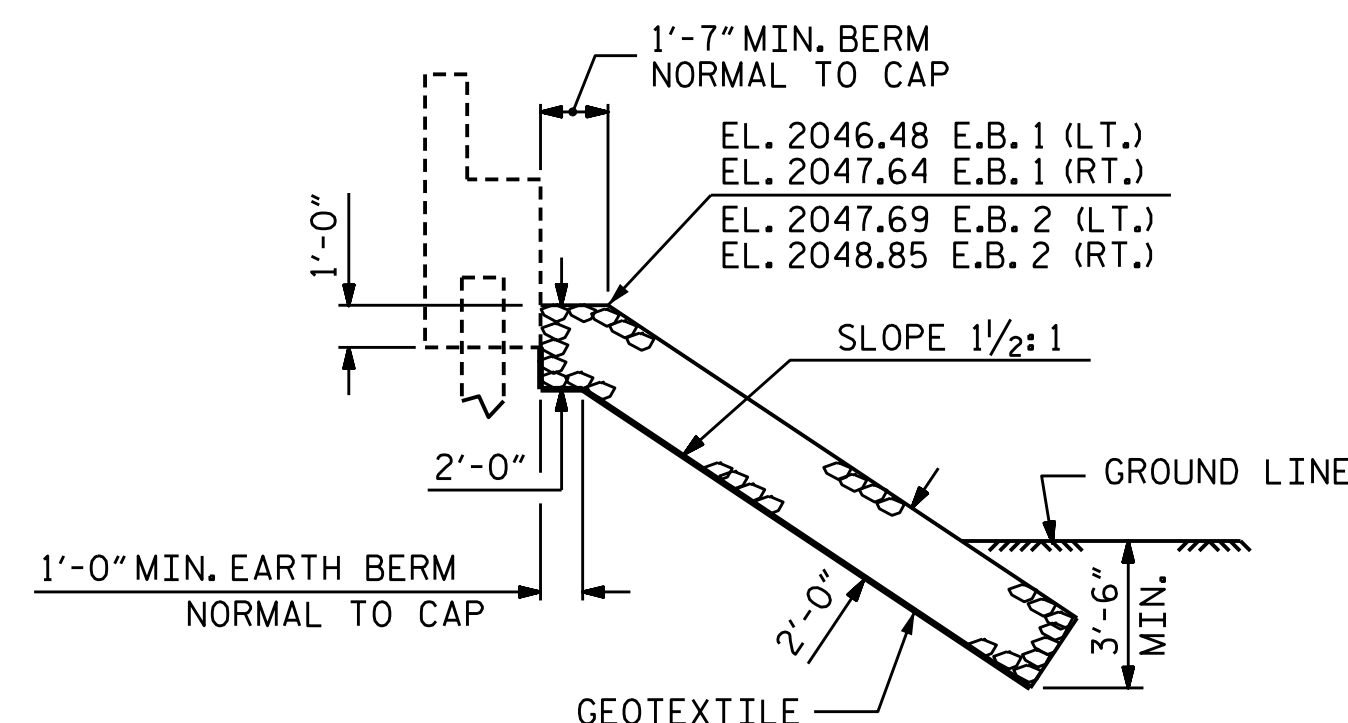
NOTES :  
FOR BERM WIDTH DIMENSIONS, SEE GENERAL DRAWING.



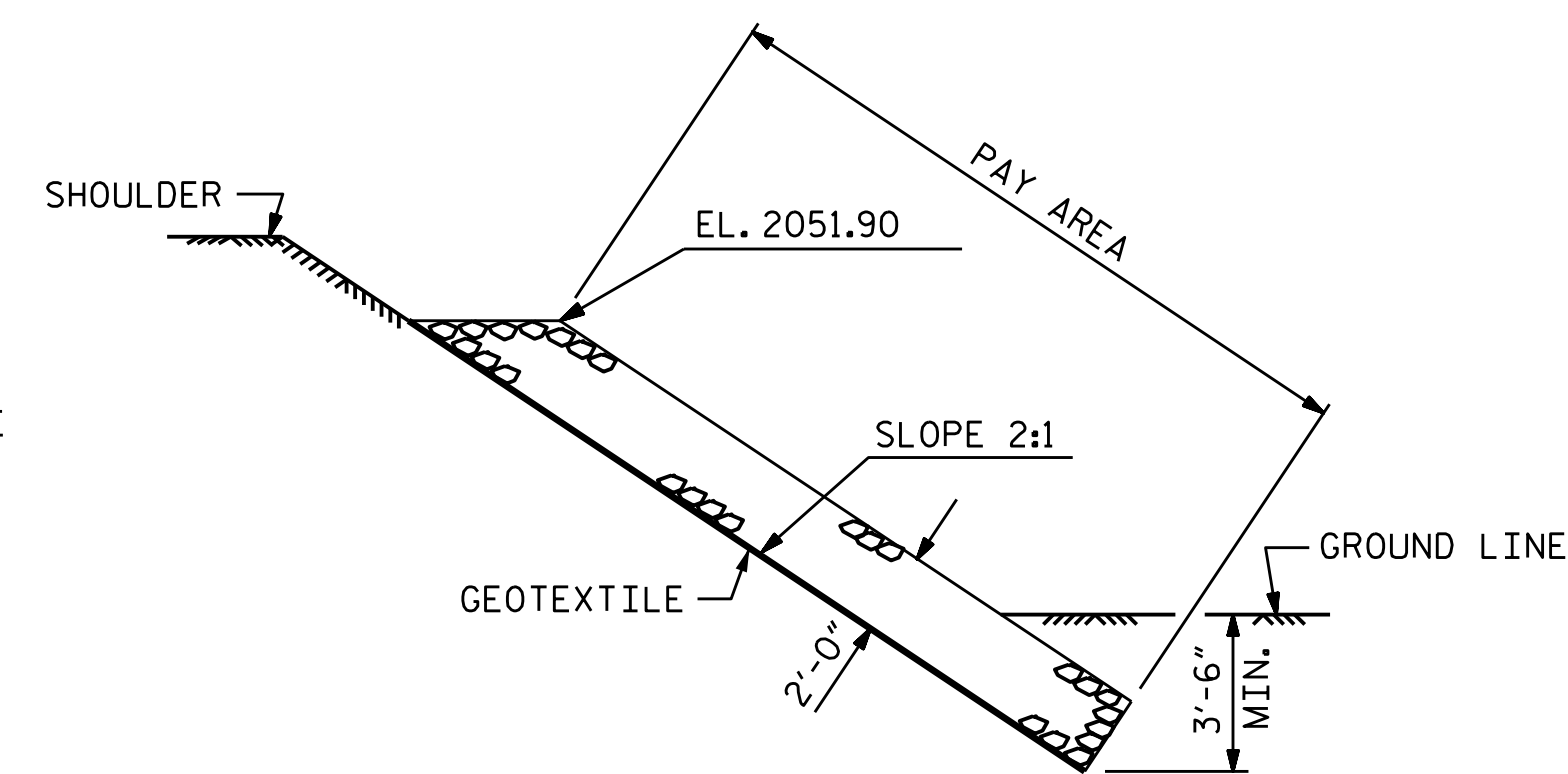
ESTIMATED QUANTITIES		
BRIDGE @ STA. 14+13.00 -L-	RIP RAP CLASS II (2'-0" THICK)	GEOTEXTILE FOR DRAINAGE
	TONS	SQUARE YARDS
END BENT No. 1	50	55
END BENT No. 2	55	60



SECTION H-H

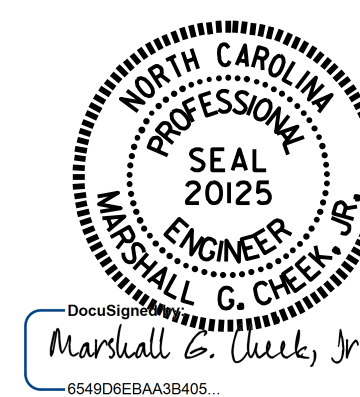


SECTION C-C  
BERM RIP RAPPED



SECTION C-C

PROJECT NO. B-5410  
JACKSON COUNTY  
STATION: 14+13.00 -L-



4/5/2016

STATE OF NORTH CAROLINA  
DEPARTMENT OF TRANSPORTATION  
RALEIGH

RIP RAP DETAILS

DRAWN BY : B.N. GRADY  
CHECKED BY : W.J. HARRIS  
DATE : 2/16  
DATE : 2/16

DOCUMENT NOT CONSIDERED  
FINAL UNLESS ALL  
SIGNATURES COMPLETED

REVISIONS						SHEET NO. S-16 TOTAL SHEETS 17
NO.	BY:	DATE:	NO.	BY:	DATE:	
1			3			
2			4			