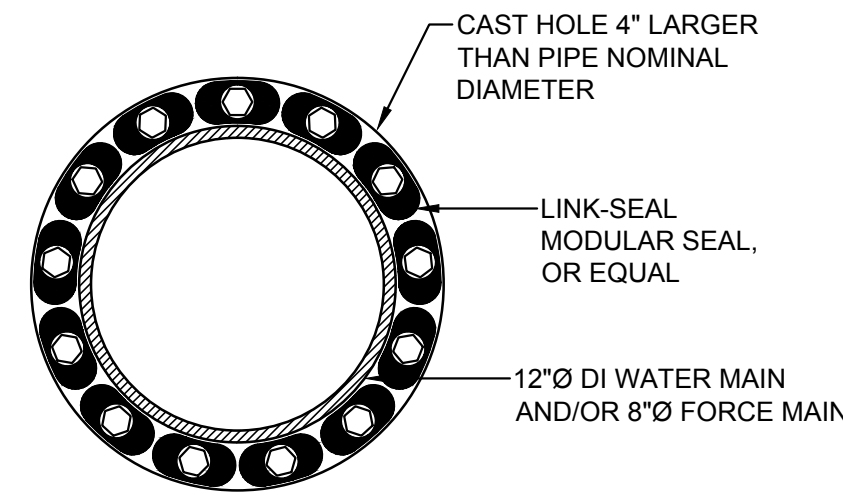
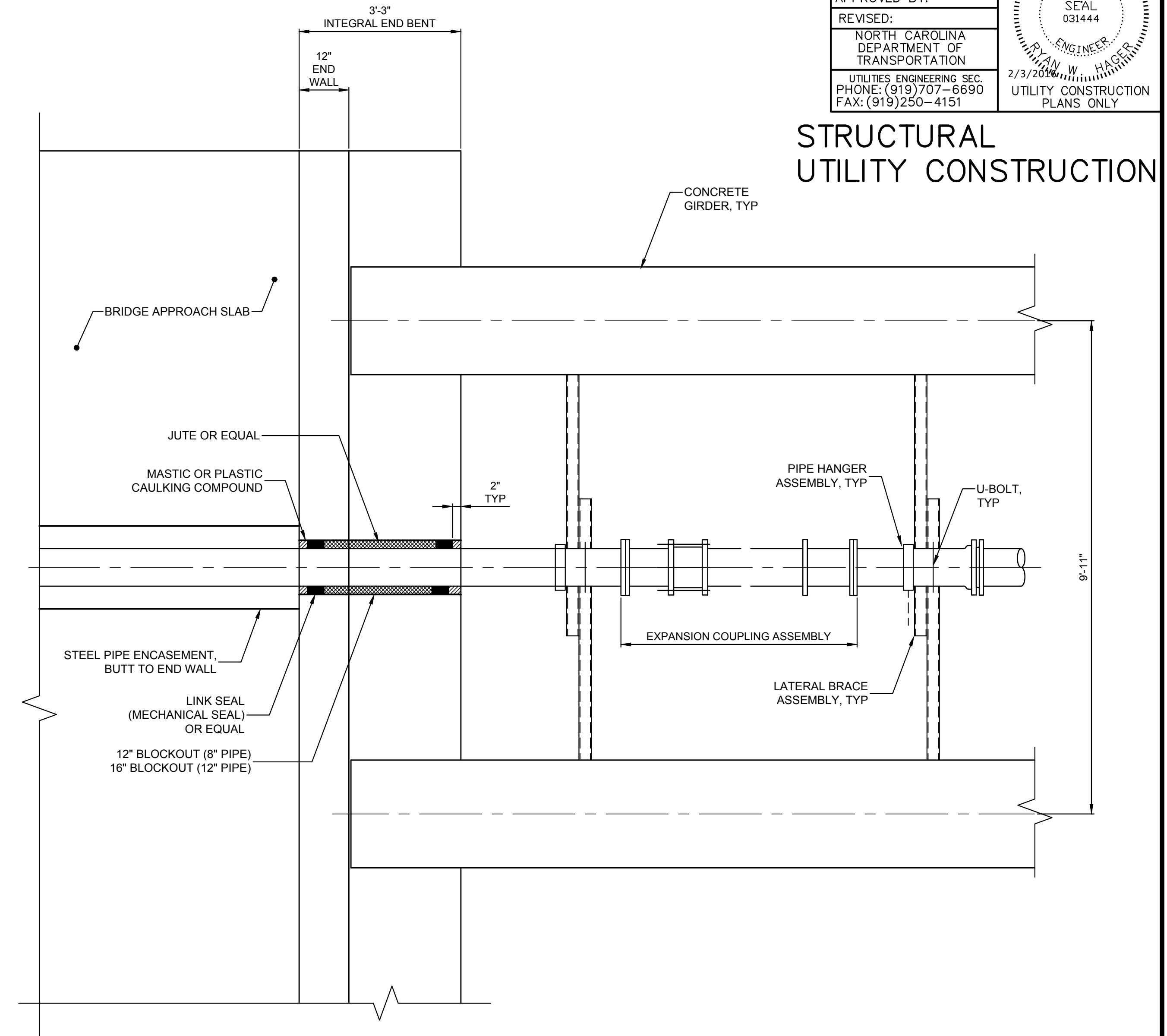


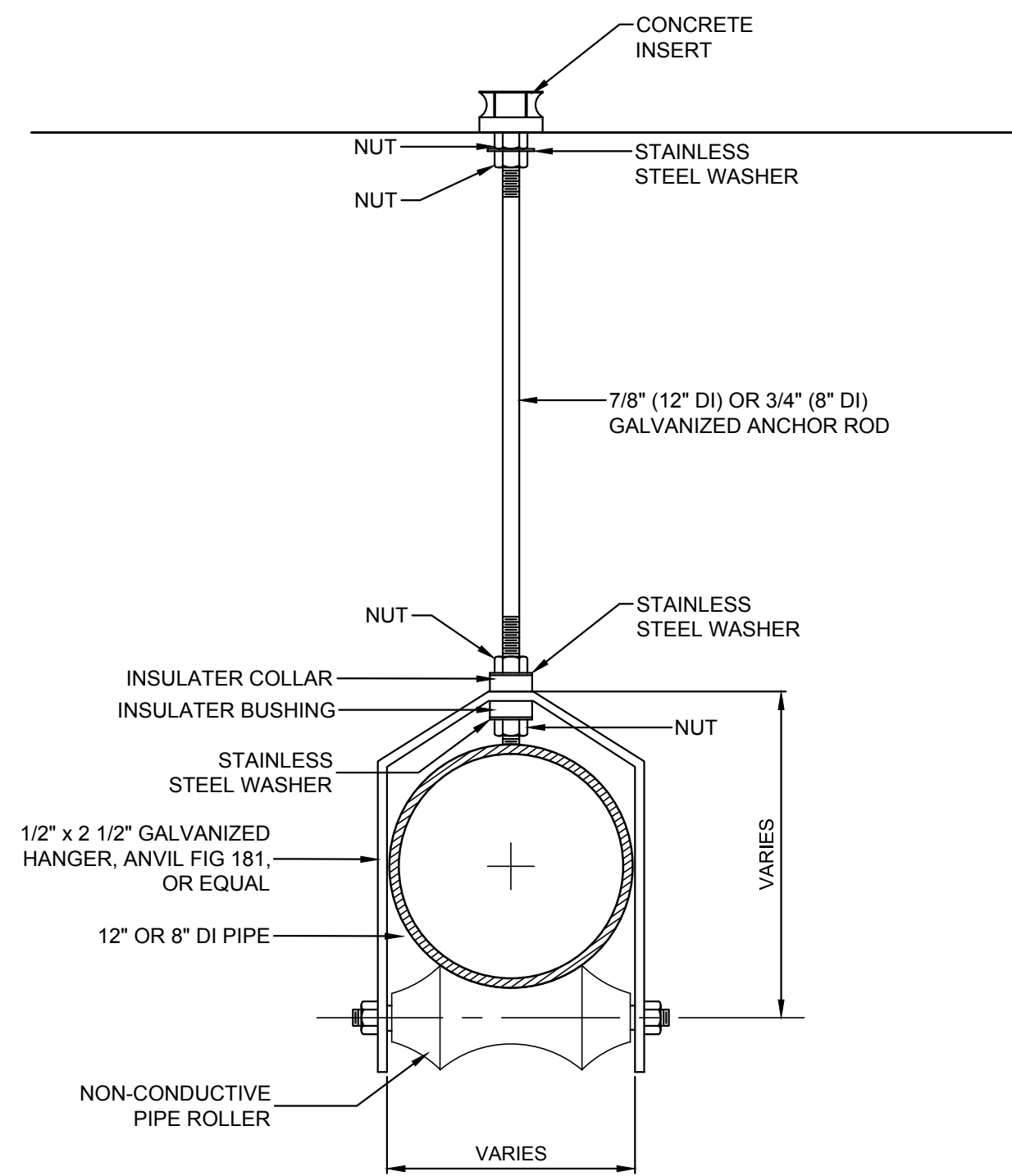
**EXPANSION COUPLING ASSEMBLY**  
NOT TO SCALE



**PIPE PENETRATION SEAL**  
NOT TO SCALE

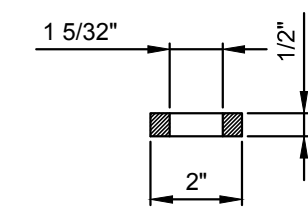


**PLAN AT INTEGRAL END BENT**  
NOT TO SCALE

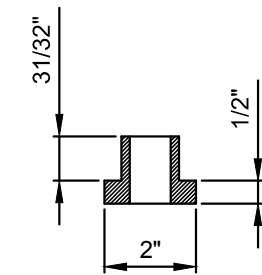


**PIPE HANGER ASSEMBLY**  
NOT TO SCALE

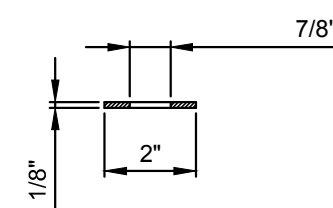
NOTE:  
HANGER SIZE SHALL BE APPROPRIATELY  
SELECTED FOR DIAMETER OF DI PIPE



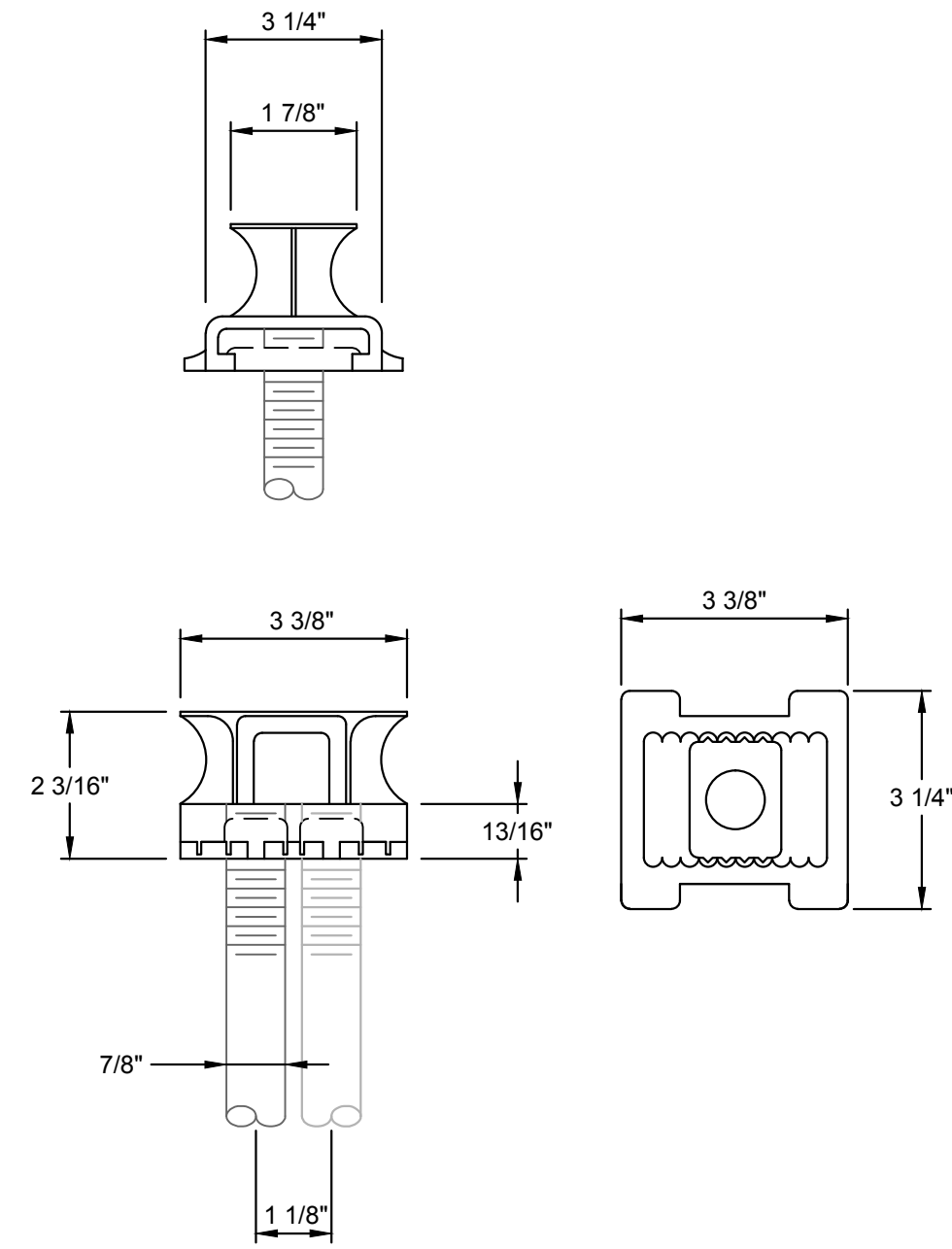
**INSULATED COLLAR**  
NOT TO SCALE



**INSULATED BUSHING**  
NOT TO SCALE



**STAINLESS STEEL WASHER**  
NOT TO SCALE



**CONCRETE INSERT**  
NOT TO SCALE