

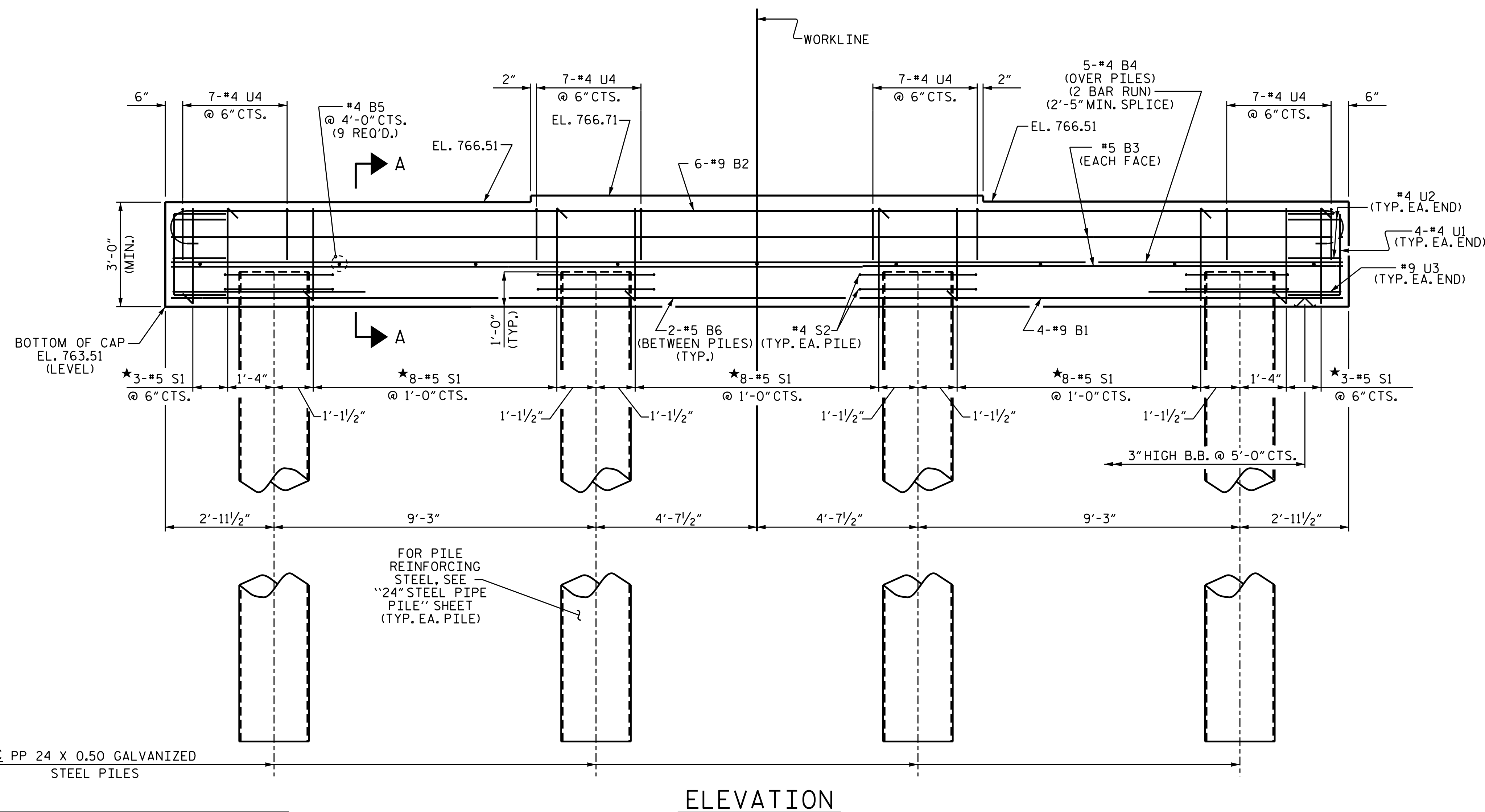
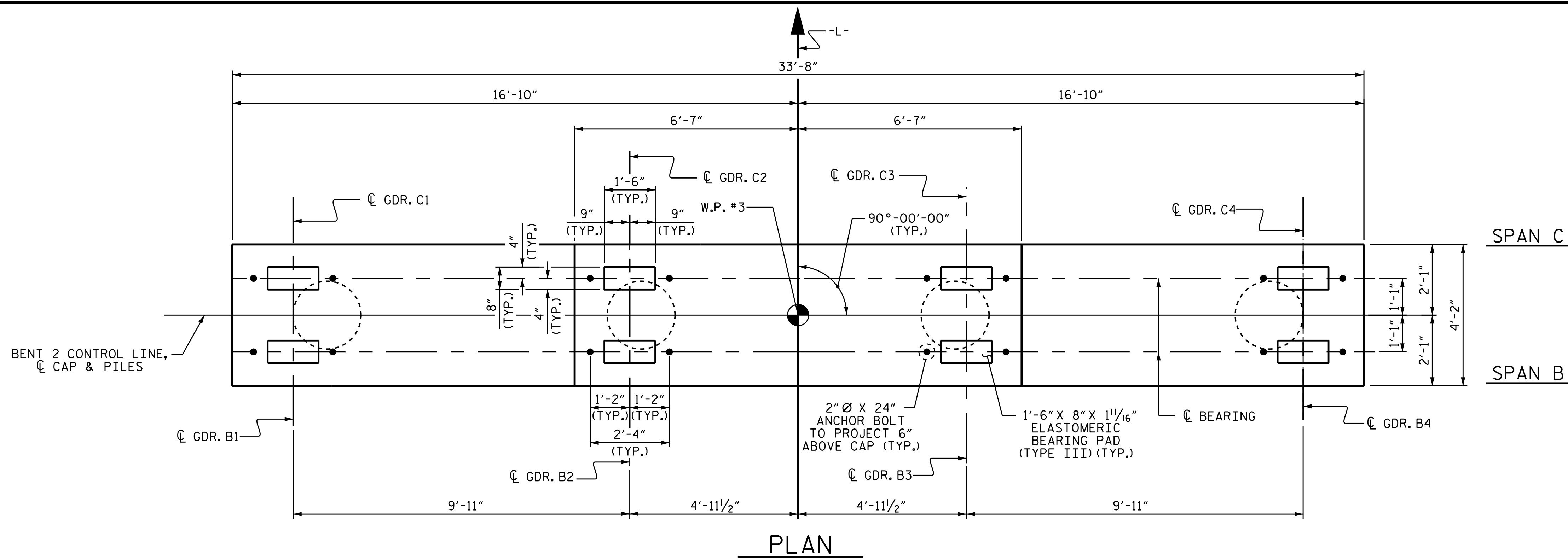
NOTES

STIRRUPS IN CAP MAY BE SHIFTED AS NECESSARY TO CLEAR ANCHOR BOLTS.

GALVANIZE THE TOP 40 FEET OF EACH INTERIOR BENT PILE IN ACCORDANCE WITH SECTION 1076 OF THE STANDARD SPECIFICATIONS.

★ INVERT ALTERNATE STIRRUPS.

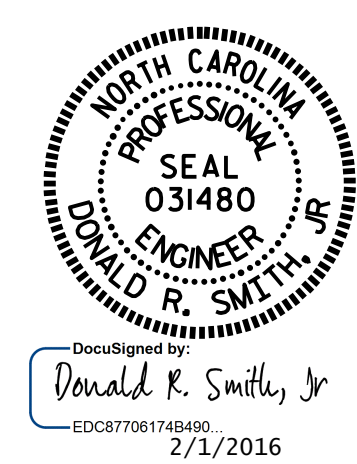
CONCRETE DISPLACED BY 24" STEEL PIPE PILES HAS BEEN DEDUCTED FROM THE CONCRETE QUANTITY.



PROJECT NO. B-5142
IREDELL COUNTY
 STATION: 22+06.00 -L-

SHEET 1 OF 2

STATE OF NORTH CAROLINA DEPARTMENT OF TRANSPORTATION RALEIGH					
SUBSTRUCTURE					
BENT 2					
REVISIONS					
NO.	BY:	DATE:	NO.	BY:	DATE:
1			3		
2			4		
SHEET NO.					S-28
TOTAL SHEETS					38



DRAWN BY: J.D. HAWK DATE: 6-11-15
 CHECKED BY: K.D. LAYNE DATE: 7-2-15
 DESIGN ENGINEER OF RECORD: T.H. CARROLL DATE: 8-18-15

DOCUMENT NOT CONSIDERED
 FINAL UNLESS ALL
 SIGNATURES COMPLETED