

**PLAN OF PARAPET**

LEFT SIDE SHOWN, RIGHT SIDE SIMILAR

**NOTES**

CONCRETE PARAPET IN A CONTINUOUS UNIT SHALL NOT BE CAST UNTIL ALL SLAB CONCRETE IN THE UNIT HAS BEEN CAST AND HAS REACHED A MINIMUM COMPRESSIVE STRENGTH OF 3,000 PSI.

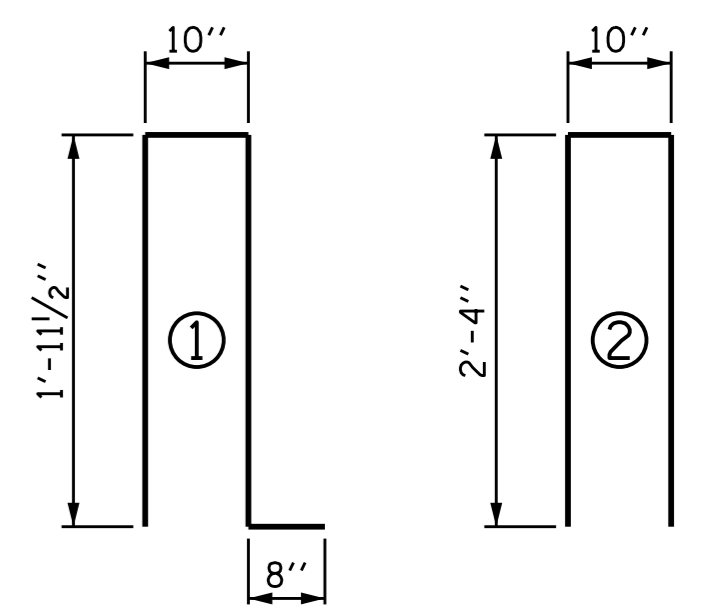
ALL REINFORCING STEEL IN PARAPET AND END POSTS SHALL BE EPOXY COATED.

GROOVED CONTRACTION JOINTS, 1/2" IN DEPTH, SHALL BE TOOLED IN ALL EXPOSED FACES OF THE PARAPET AND IN ACCORDANCE WITH ARTICLE 825-10(B) OF THE STANDARD SPECIFICATIONS. A CONTRACTION JOINT SHALL BE LOCATED AT EACH THIRD POINT BETWEEN PARAPET EXPANSION JOINTS. ONLY ONE CONTRACTION JOINT IS REQUIRED AT MIDPOINT OF PARAPET SEGMENTS LESS THAN 20 FEET IN LENGTH AND NO CONTRACTION JOINTS ARE REQUIRED FOR THOSE SEGMENTS LESS THAN 10 FEET IN LENGTH.

FOR DETAILS OF CONCRETE INSERTS IN END POSTS, SEE "RAIL POST SPACINGS AND END OF RAIL DETAILS" SHEET.

FOR LOCATION OF GUARDRAIL ANCHOR ASSEMBLIES, SEE "GUARDRAIL ANCHORAGE DETAILS FOR METAL RAILS" SHEET.

**BAR TYPES**



ALL BAR DIMENSIONS ARE OUT TO OUT.

**BILL OF MATERIAL**

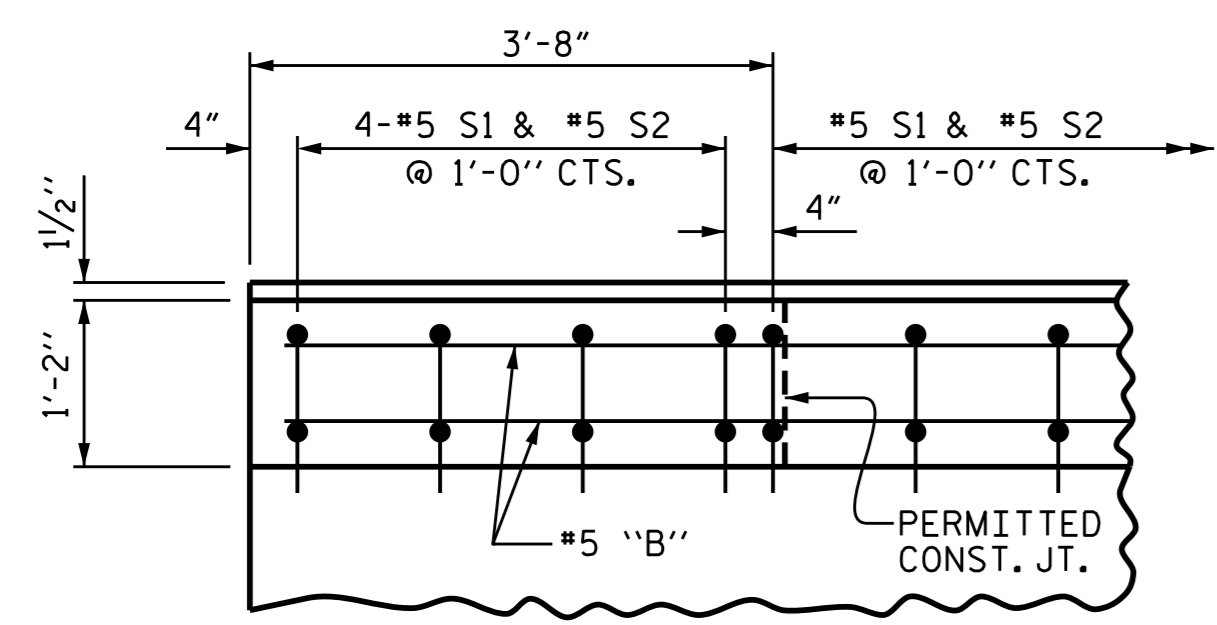
**PARAPET AND END POSTS**

BAR	NO.	SIZE	TYPE	LENGTH	WEIGHT
*B1	32	#5	STR	18'-9"	626
*B2	48	#5	STR	19'-7"	980
*B3	64	#5	STR	24'-7"	1641
*E1	8	#7	STR	2'-6"	41
*E2	8	#7	STR	3'-0"	49
*E3	8	#7	STR	3'-6"	57
*E4	8	#7	STR	4'-0"	65
*E5	8	#7	STR	4'-4"	71
*F1	8	#6	STR	1'-10"	22
*F2	8	#6	STR	3'-0"	36
*F3	8	#6	STR	3'-6"	42
*S1	400	#5	1	5'-5"	2260
*S2	400	#5	2	5'-6"	2295

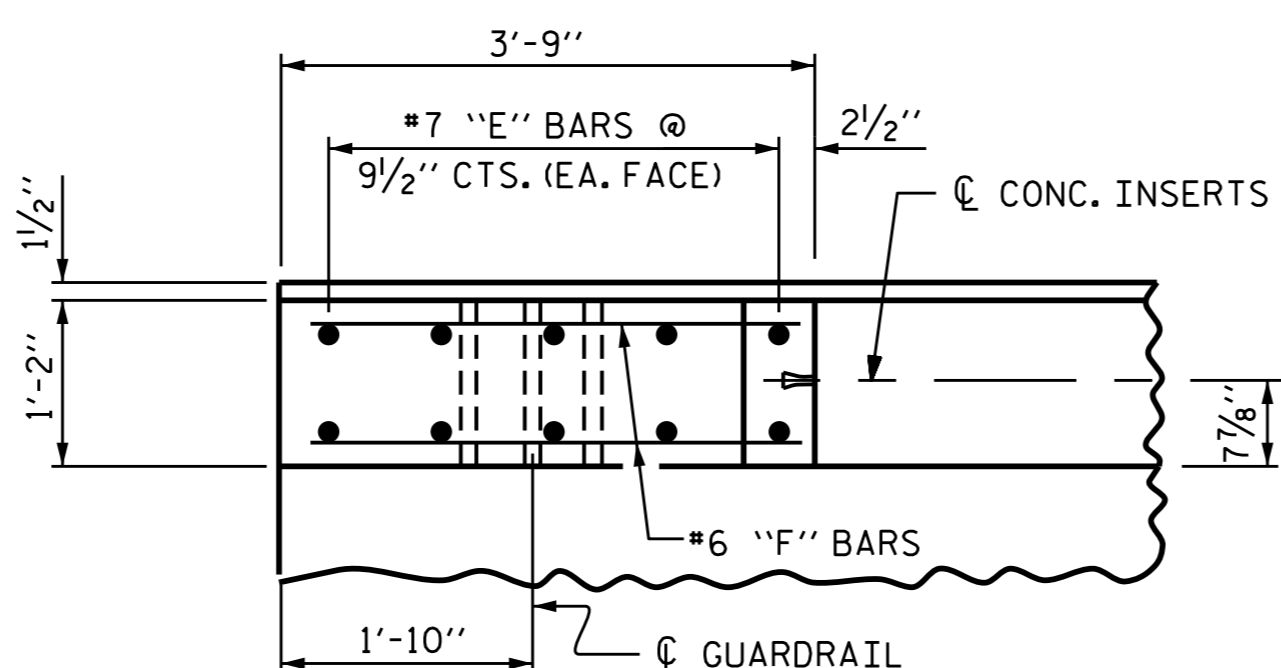
\* EPOXY COATED REINFORCING STEEL LBS. 8,185

CLASS AA CONCRETE CU. YDS. 43.7

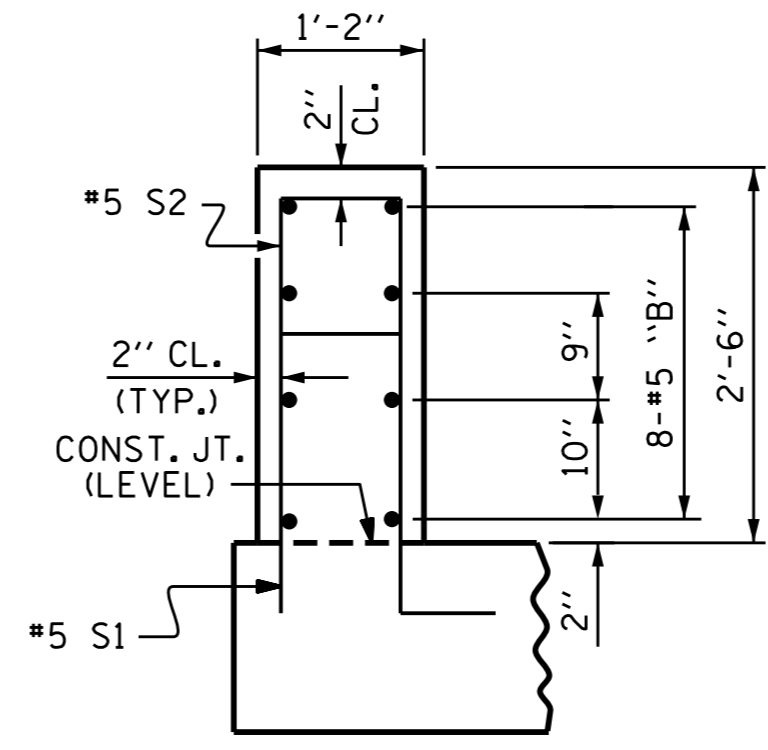
1'-2" X 2'-6" CONCRETE PARAPET LIN. FT. 396.67



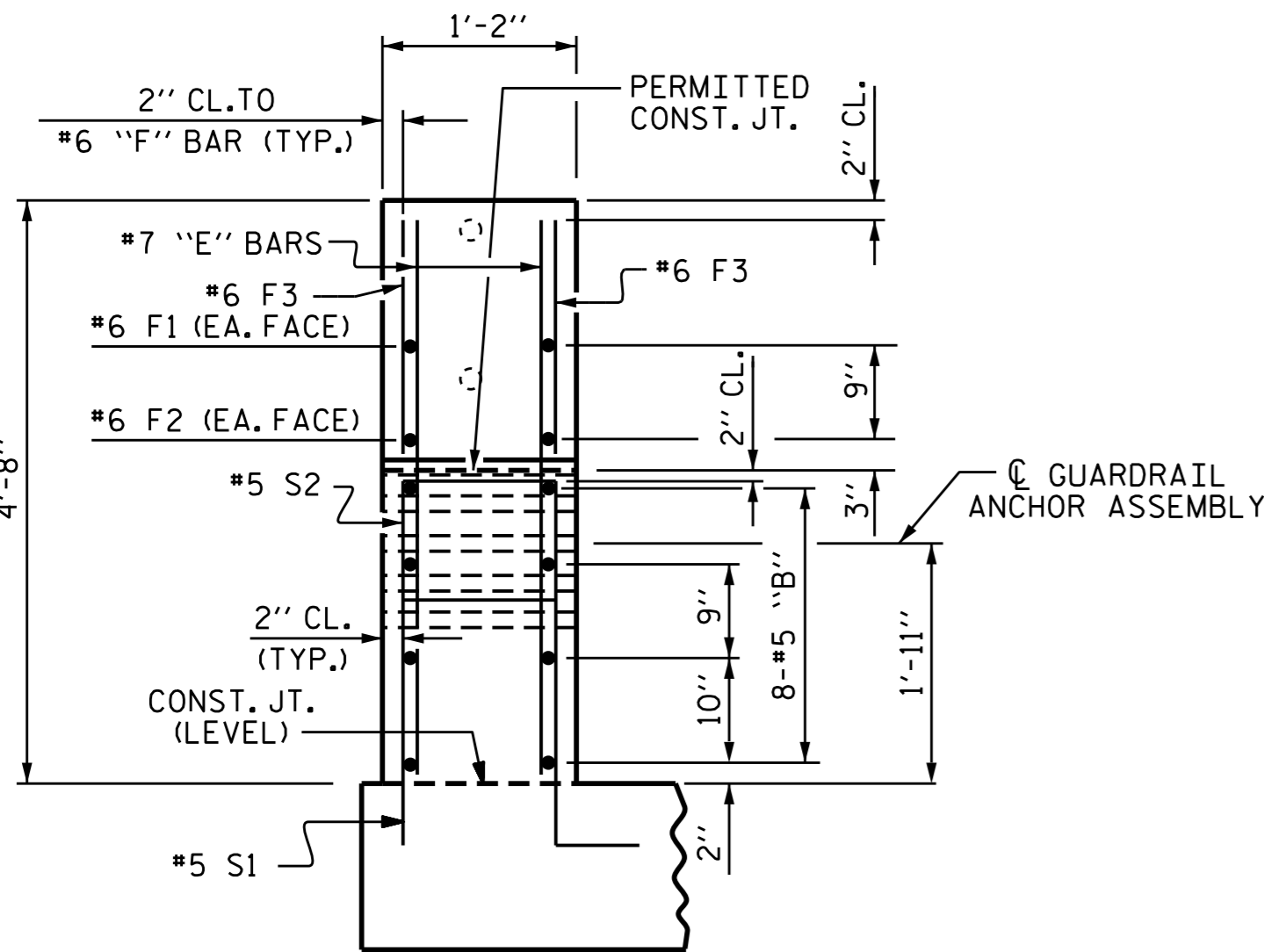
PLAN OF PARAPET



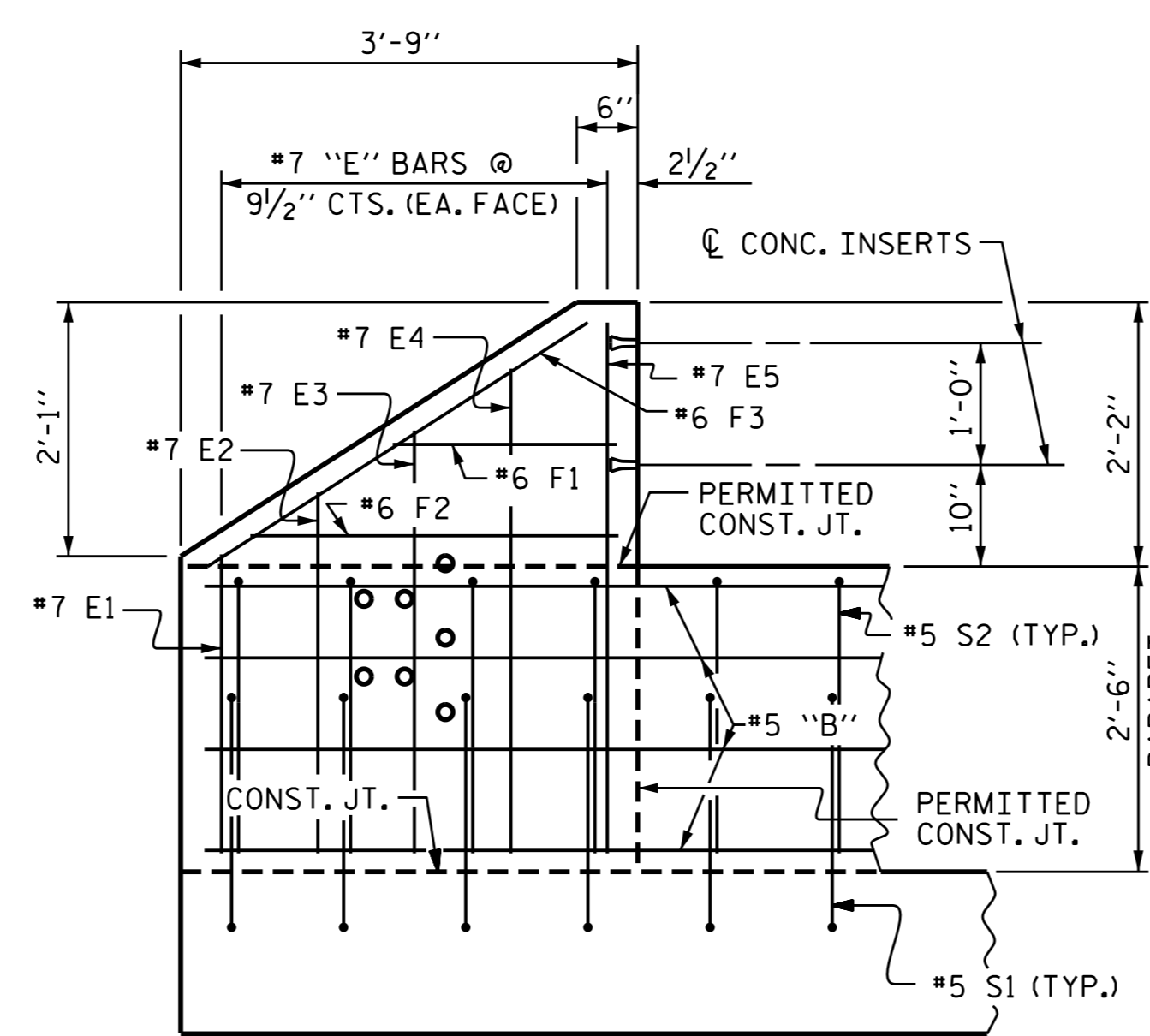
PLAN OF END POST



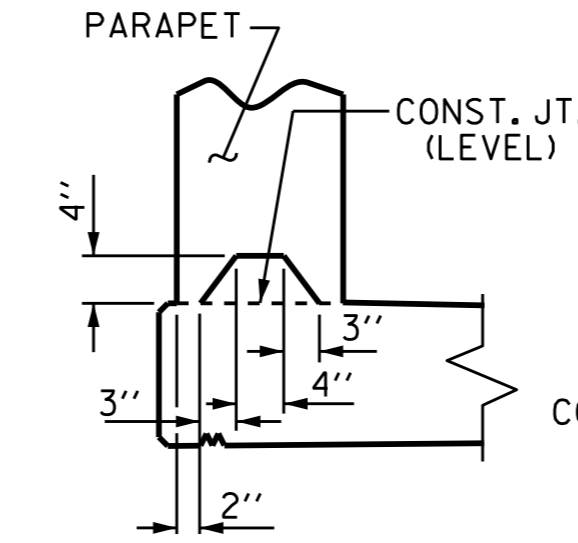
SECTION THROUGH PARAPET



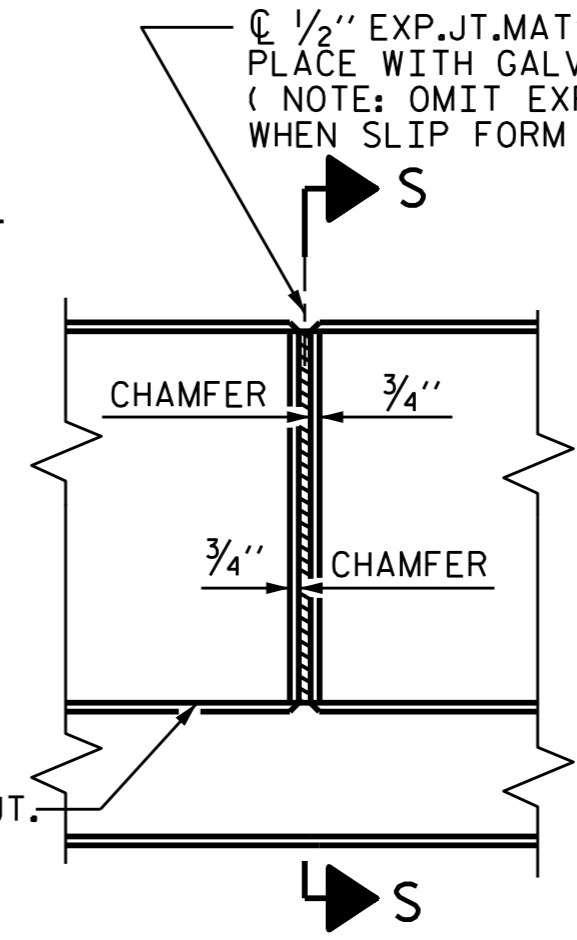
END VIEW



ELEVATION



SECTION S-S AT DAM IN OPEN JOINT (THIS IS TO BE USED ONLY WHEN SLIP FORM IS USED)



ELEVATION AT EXPANSION JOINTS

**CONCRETE PARAPET DETAILS**



Designed by: Donald R. Smith, Jr. EDC877081748490 2/1/2016

PROJECT NO. B-5142  
IREDELL COUNTY  
 STATION: 22+06.00 -L-

STATE OF NORTH CAROLINA  
 DEPARTMENT OF TRANSPORTATION  
 RALEIGH  
 SUPERSTRUCTURE  
 CONCRETE PARAPET  
 AND  
 END POST DETAILS

REVISIONS						SHEET NO.
NO.	BY:	DATE:	NO.	BY:	DATE:	S-21
1			3			TOTAL SHEETS
2			4			38

DOCUMENT NOT CONSIDERED FINAL UNLESS ALL SIGNATURES COMPLETED

DRAWN BY: K. D. LAYNE DATE: 4-29-15  
 CHECKED BY: J. D. HAWK DATE: 5-12-15