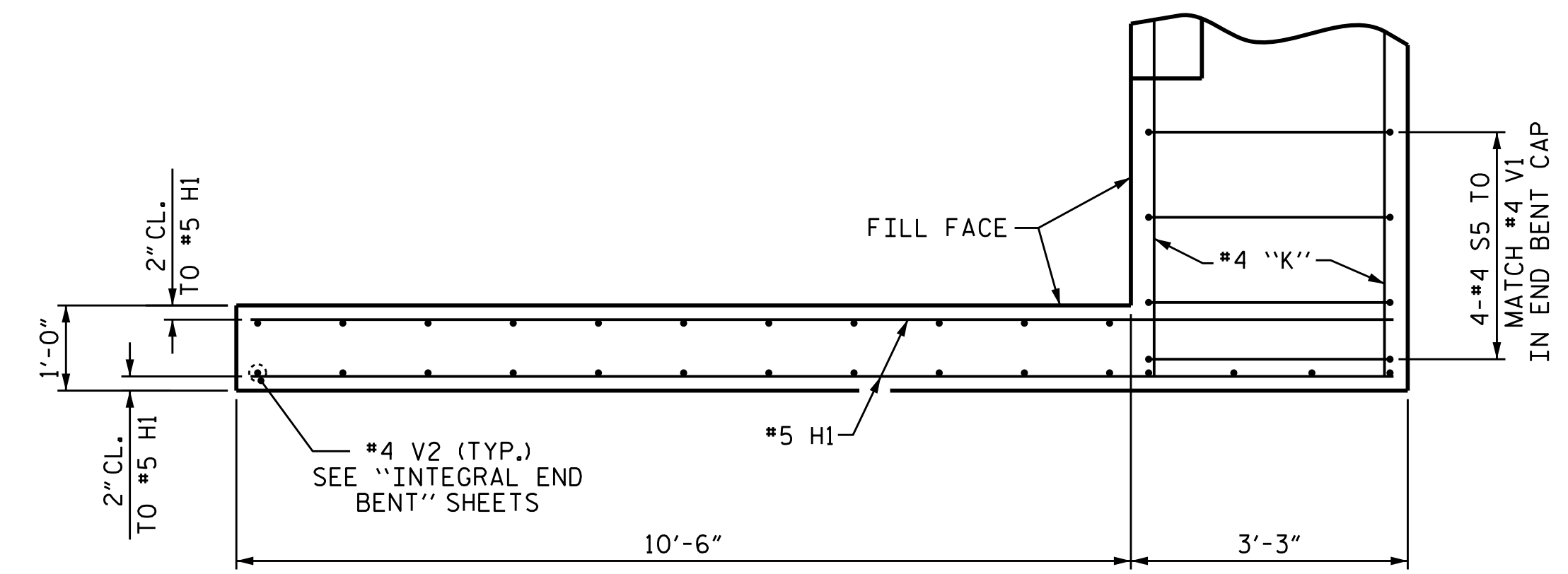
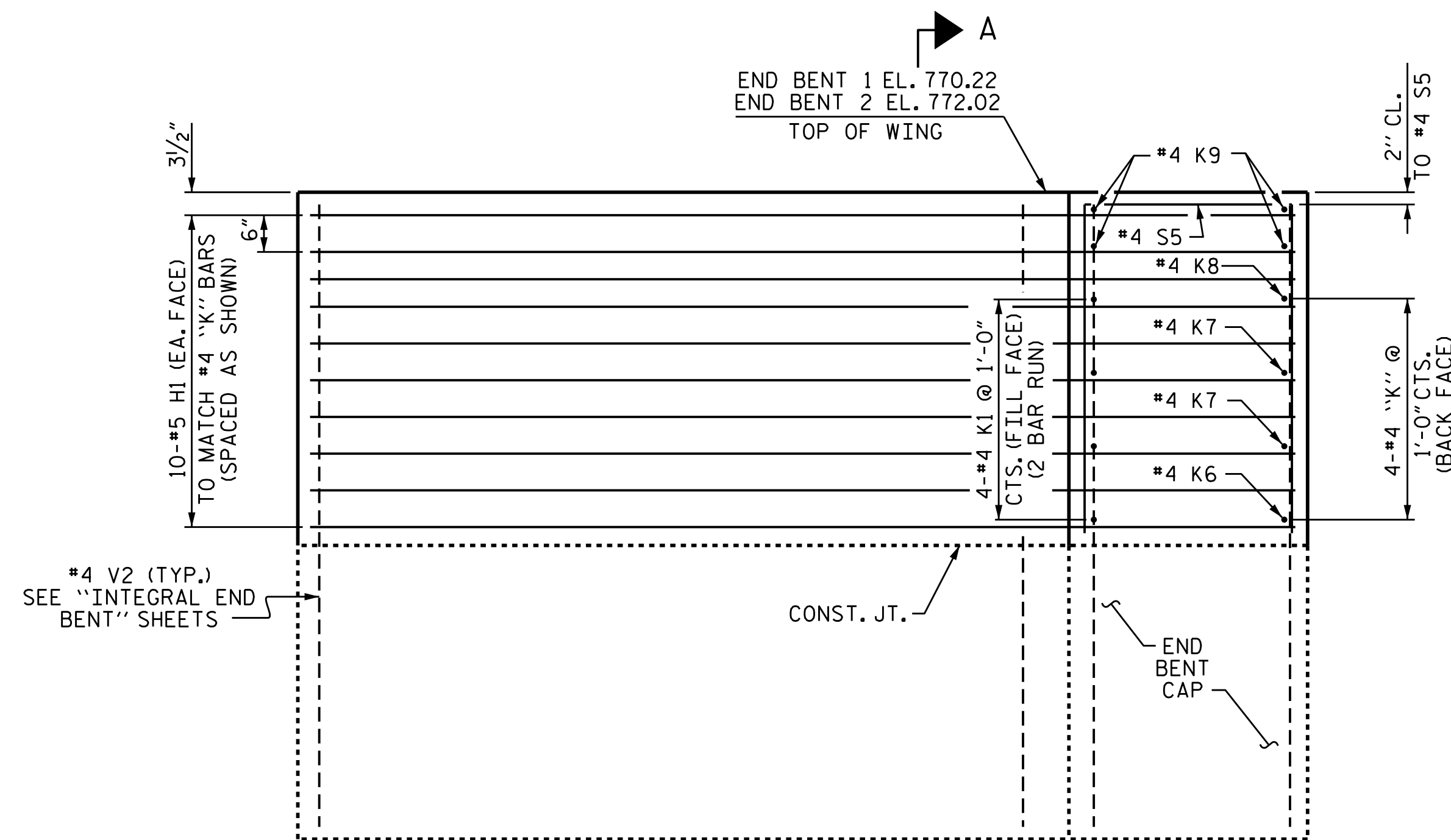


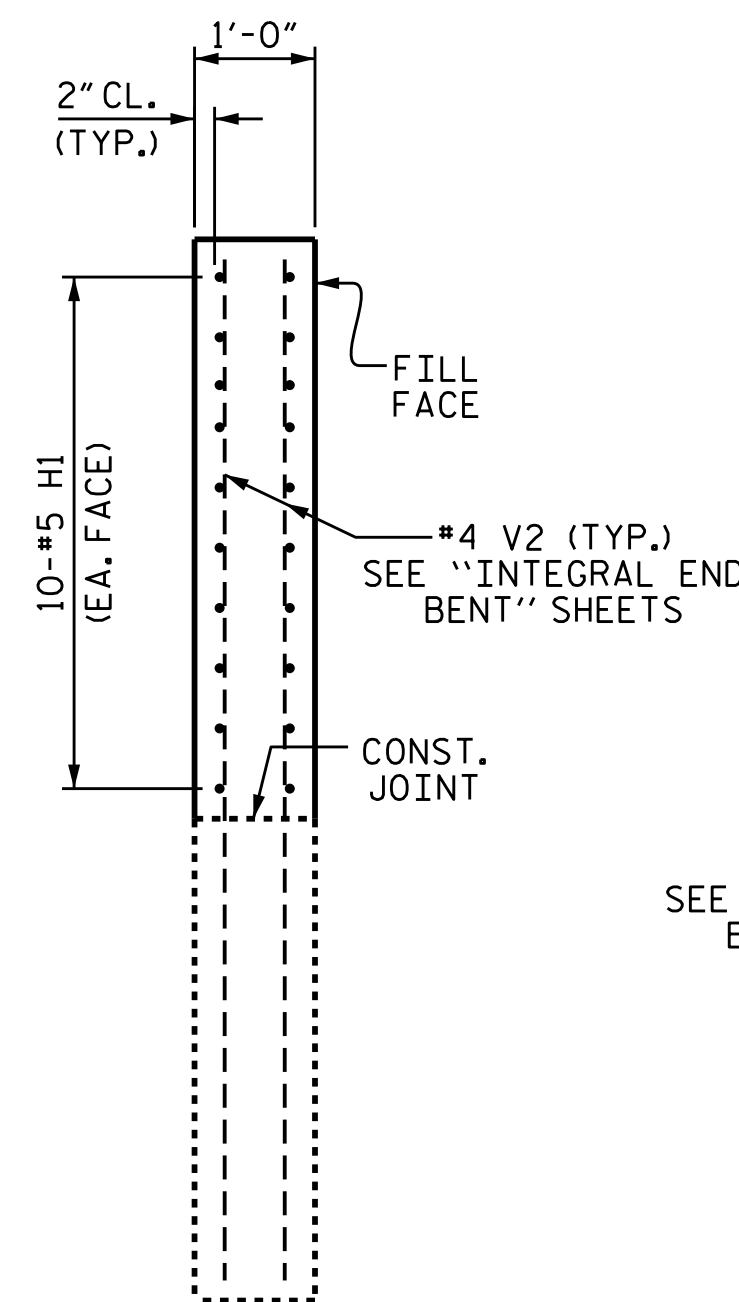
PLAN OF LEFT WING



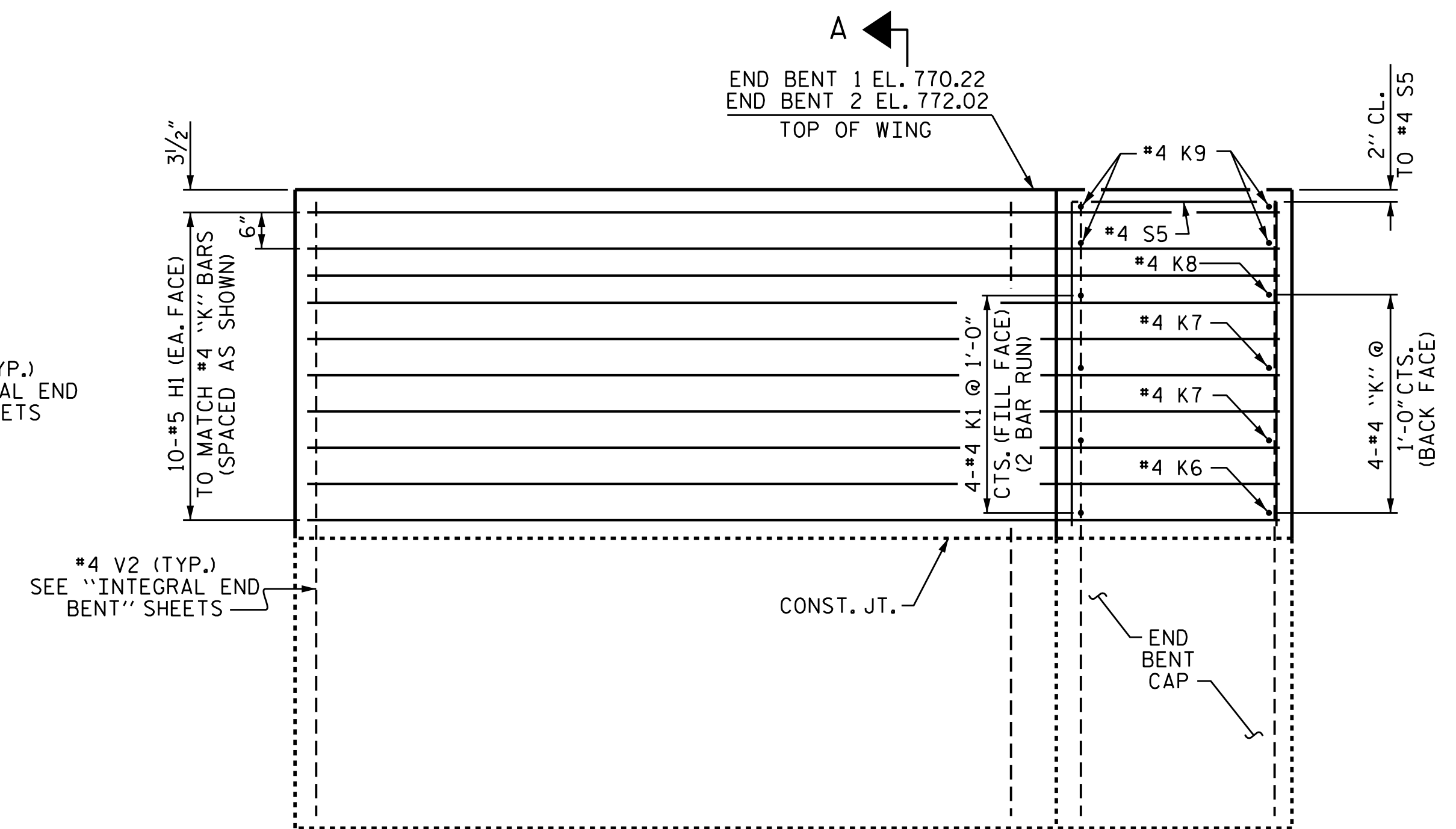
PLAN OF RIGHT WING



ELEVATION OF LEFT WING



SECTION A-A

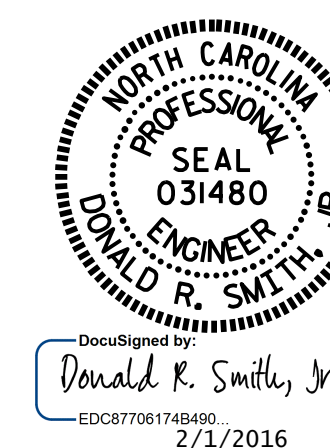


ELEVATION OF RIGHT WING

END BENT 1
END BENT 2 SIMILAR

PROJECT NO. B-5142
IREDELL COUNTY
 STATION: 22+06.00 -L-

SHEET 3 OF 3



STATE OF NORTH CAROLINA
 DEPARTMENT OF TRANSPORTATION
 RALEIGH
 SUPERSTRUCTURE
 PLAN OF SPANS
 DETAILS

REVISIONS

NO.	BY:	DATE:	NO.	BY:	DATE:	SHEET NO.
1			3			S-10
2			4			TOTAL SHEETS 38

DRAWN BY : K. D. LAYNE DATE : 4-29-15
 CHECKED BY : J. D. HAWK DATE : 5-12-15
 DESIGN ENGINEER OF RECORD: T. H. CARROLL DATE : 8-18-15

DOCUMENT NOT CONSIDERED
 FINAL UNLESS ALL
 SIGNATURES COMPLETED