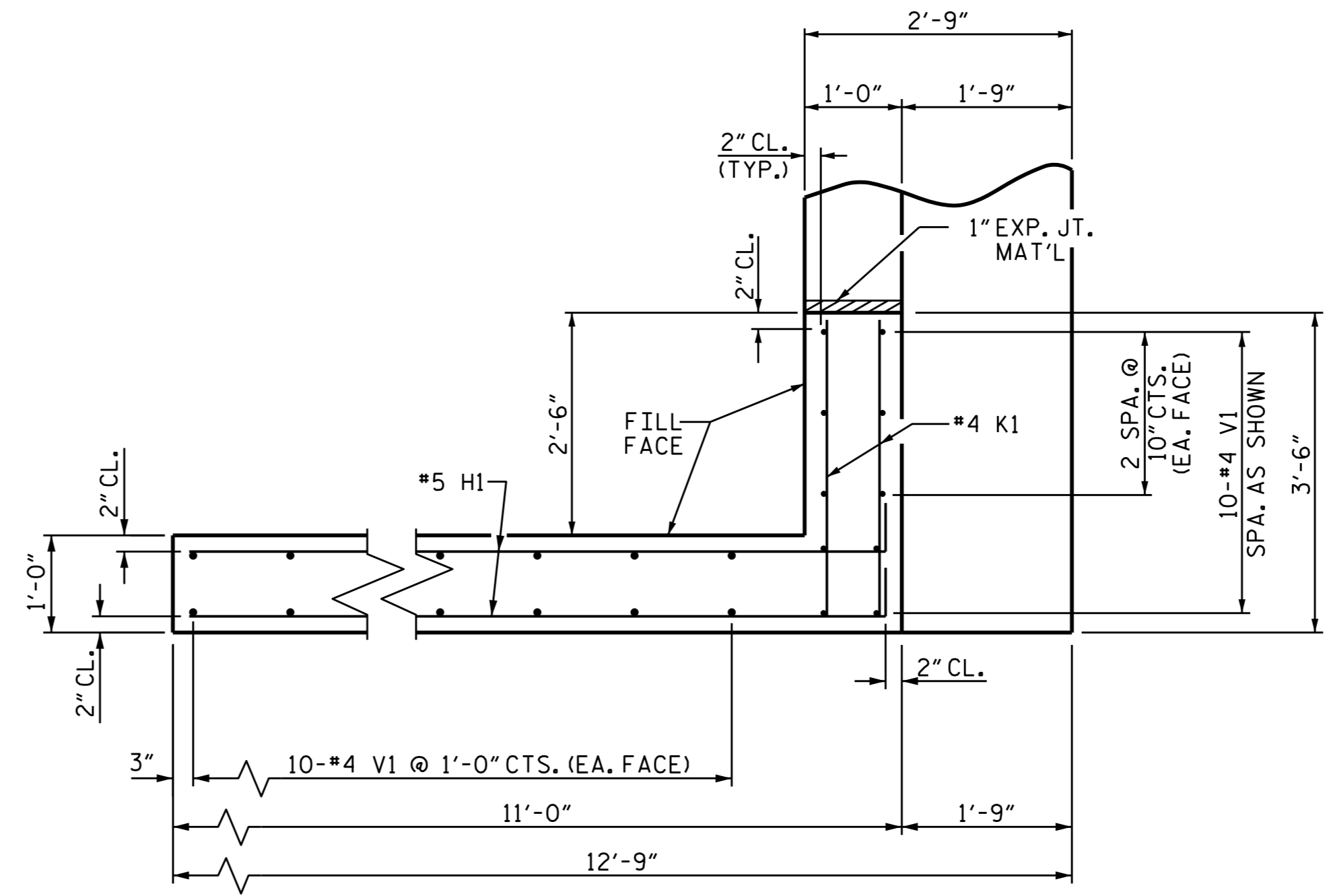
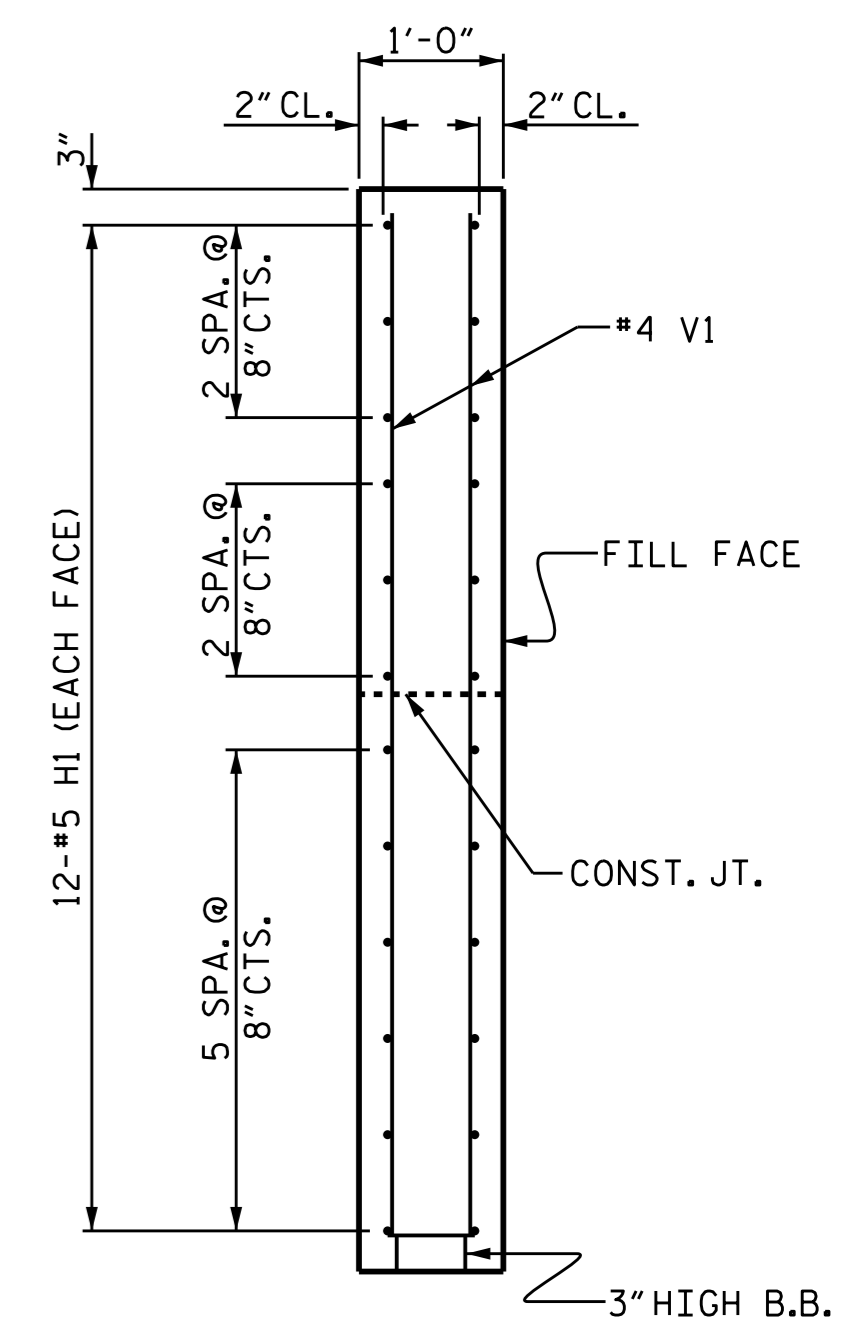


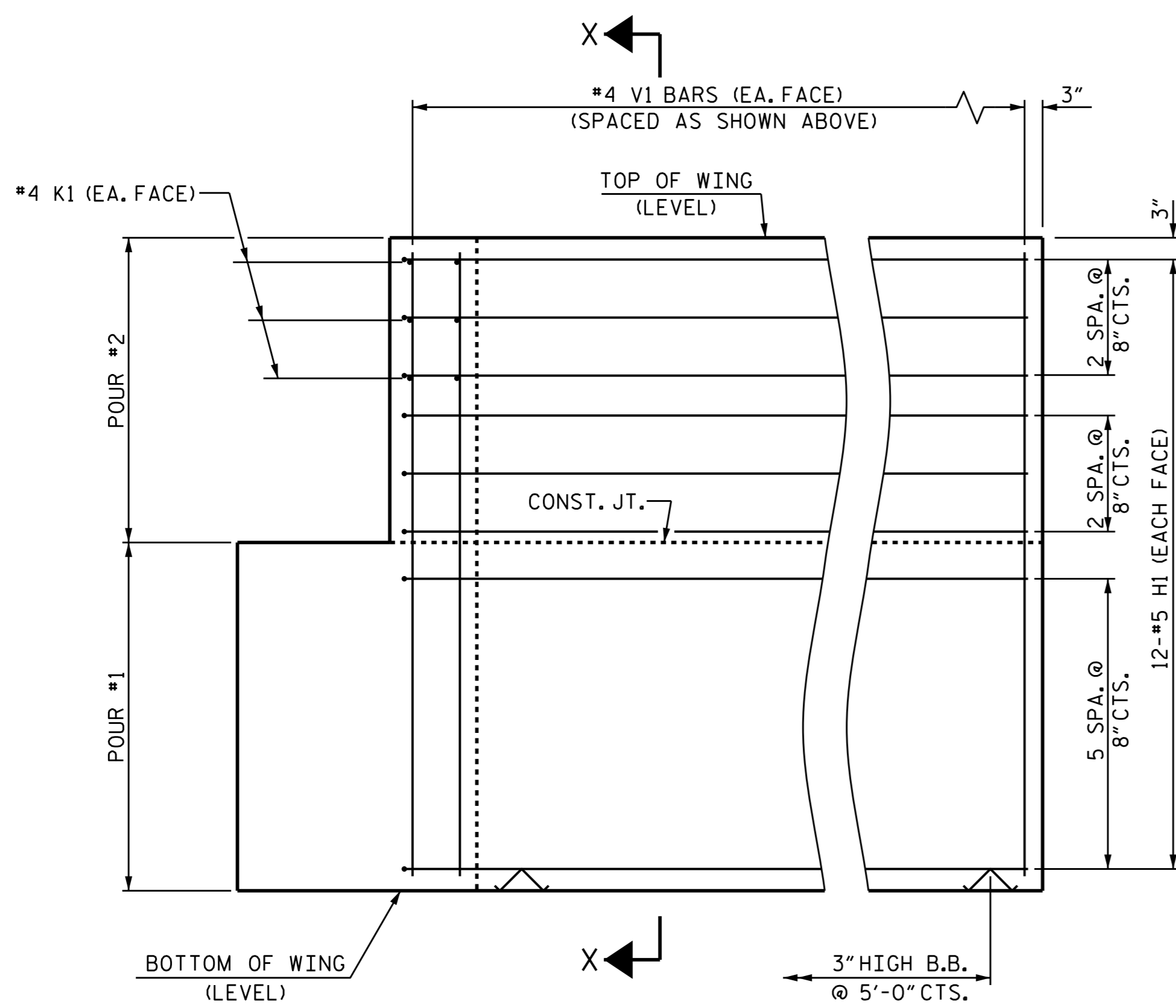
PLAN OF WING (W1)



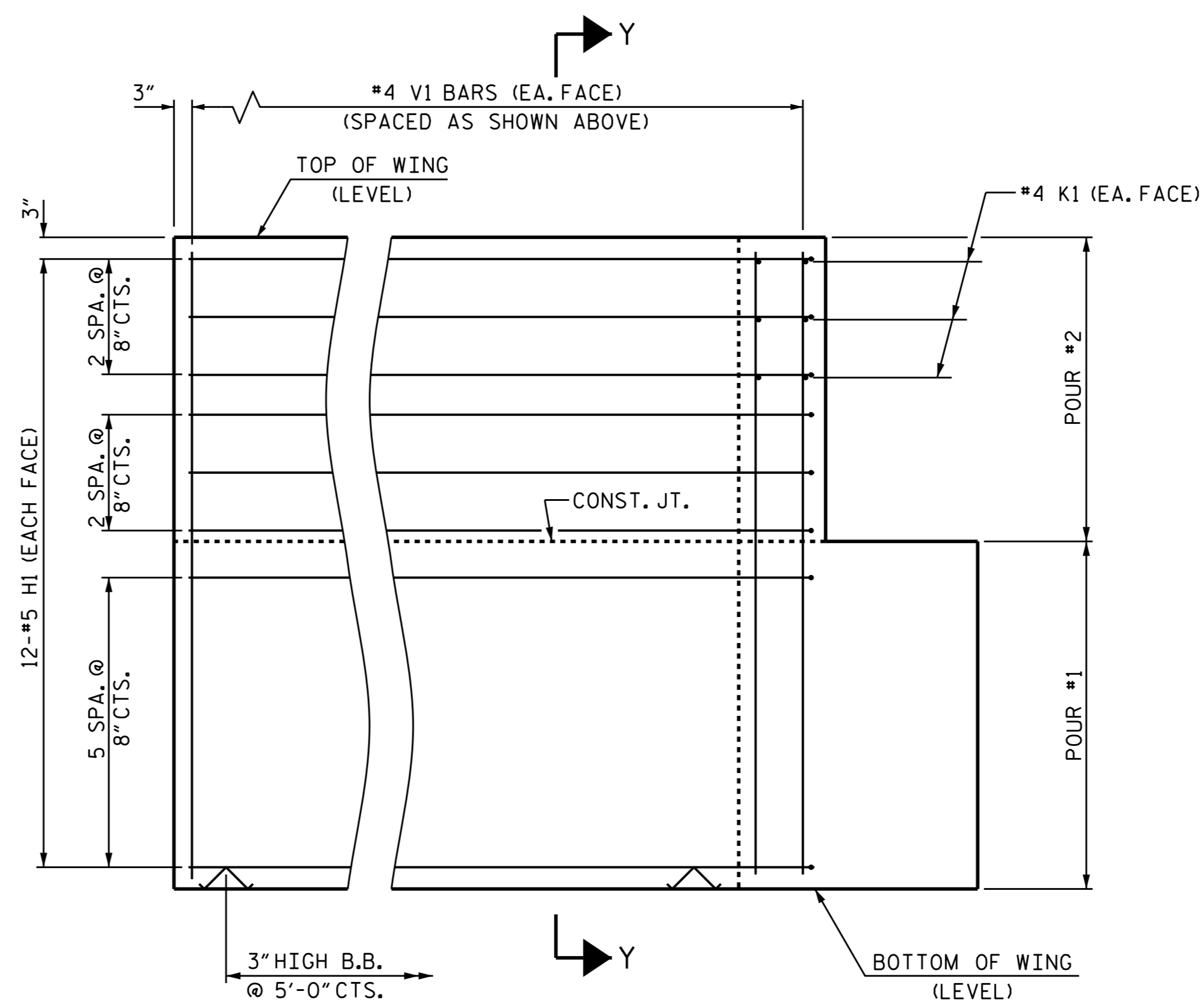
PLAN OF WING (W2)



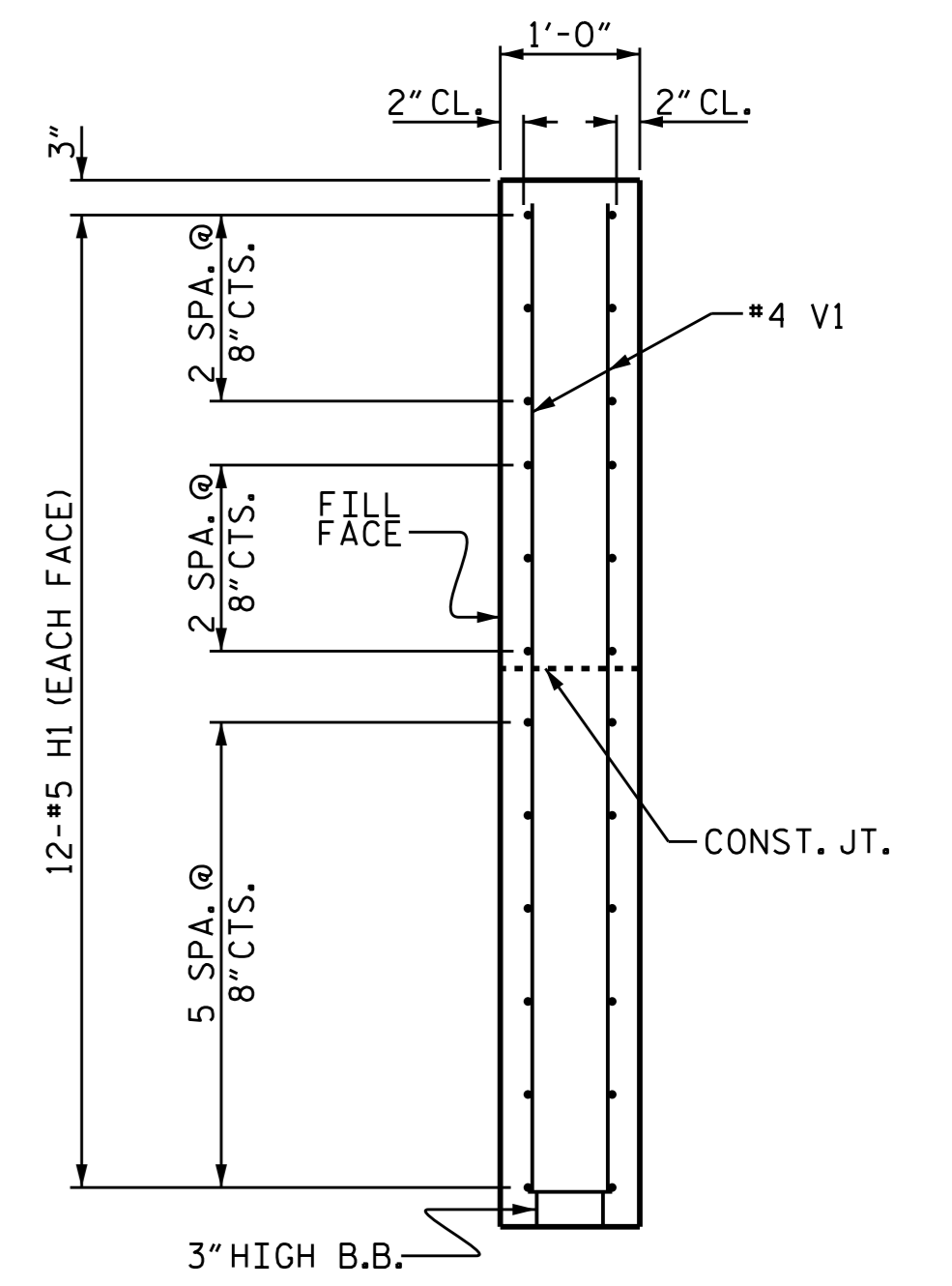
SECTION X-X



ELEVATION OF WING (W1)



ELEVATION OF WING (W2)



SECTION Y-Y

WING DETAILS

PROJECT NO. B-4967  
 SCOTLAND & HOKE COUNTY  
 STATION: 16+74.50 -L-

SHEET 3 OF 4



Designed by: *Ting Fang*  
 E7208840097435 5/10/2016

STATE OF NORTH CAROLINA  
 DEPARTMENT OF TRANSPORTATION  
 RALEIGH

SUBSTRUCTURE  
 END BENT  
 WING DETAILS

ASSEMBLED BY : H. B. DESAI	DATE : 11-19-14
CHECKED BY : D. J. POZOS	DATE : 08-24-15
DRAWN BY : WJH 12/11	REV. 4/15 MAA/TMG
CHECKED BY : AAC 12/11	

DOCUMENT NOT CONSIDERED  
 FINAL UNLESS ALL  
 SIGNATURES COMPLETED

REVISIONS						SHEET NO.	
NO.	BY:	DATE:	NO.	BY:	DATE:	S-18	
1			3			TOTAL	23
2			4			SHEETS	

10-MAY-2016 11:06  
 K:\TIP\Projects-B\B4967\Structures\Plans\Final plans\b4967.sd.bb33.dgn  
 +fang