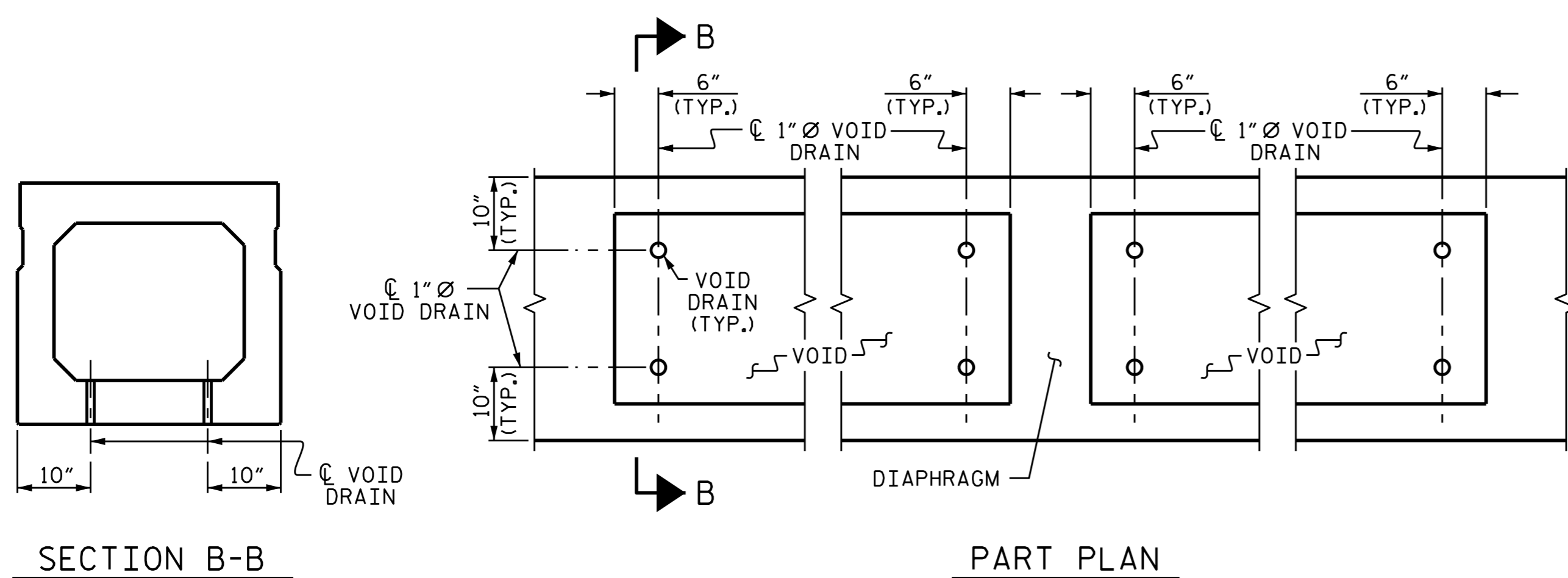


DOUBLE DIAPHRAGM DETAILS

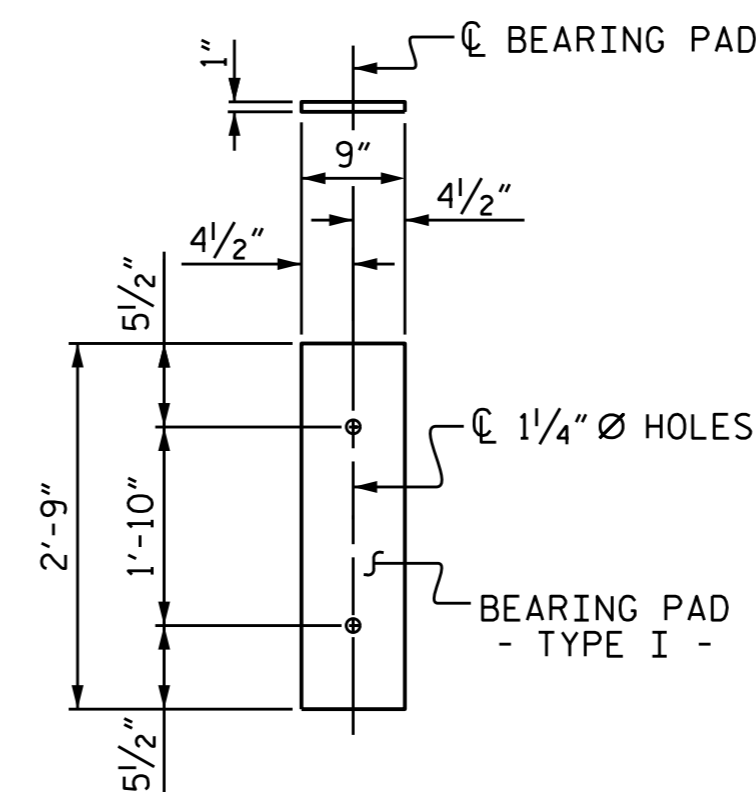
*4 "S" BARS NOT SHOWN. *4 "S" BARS MAY BE SHIFTED SLIGHTLY TO CLEAR 2 1/2" Ø HOLE.

GROUTED RECESS DETAIL AT END OF POST-TENSIONED STRANDS OF EXTERIOR BOX BEAM



VOID DRAIN DETAILS

(DIMENSIONS SHOWN ARE TYPICAL FOR EACH VOID)



ELASTOMERIC BEARING DETAILS

ELASTOMER IN ALL BEARINGS SHALL BE 60 DUROMETER HARDNESS.

PROJECT NO. B-4967
 SCOTLAND & HOKE COUNTY
 STATION: 16+74.50 -L-

SHEET 6 OF 6



STATE OF NORTH CAROLINA
 DEPARTMENT OF TRANSPORTATION
 RALEIGH
 STANDARD
 3'-0" X 2'-9"
 PRESTRESSED CONCRETE
 BOX BEAM UNIT

DocuSigned by:
Ting Fang
E7208400977435

5/10/2016

| REVISIONS | | | | | |
|-----------|-----|-------|-----|-----|-------|
| NO. | BY: | DATE: | NO. | BY: | DATE: |
| 1 | | | 3 | | |
| 2 | | | 4 | | |

| REVISIONS | | | | | |
|-----------|-----|-------|-----|-----|-------|
| NO. | BY: | DATE: | NO. | BY: | DATE: |
| 1 | | | 3 | | |
| 2 | | | 4 | | |

| | |
|---------------------------|-----------------|
| ASSEMBLED BY : E.I. OMILE | DATE : 02/24/15 |
| CHECKED BY : A. SORENGINH | DATE : 05/18/15 |
| DRAWN BY : DGE 10/11 | REV. 8/14 |
| CHECKED BY : TMG 11/11 | MAA/TMG |