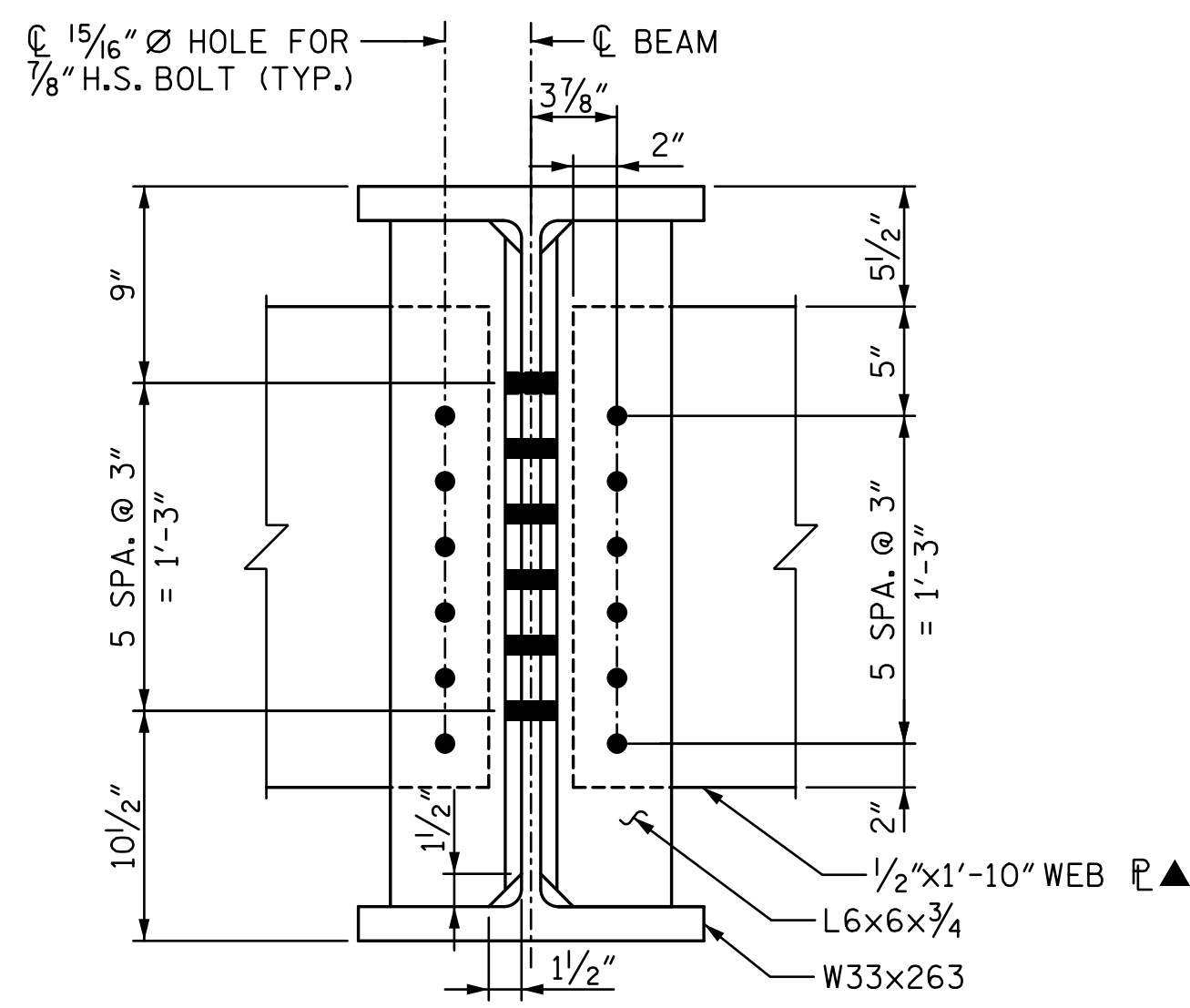
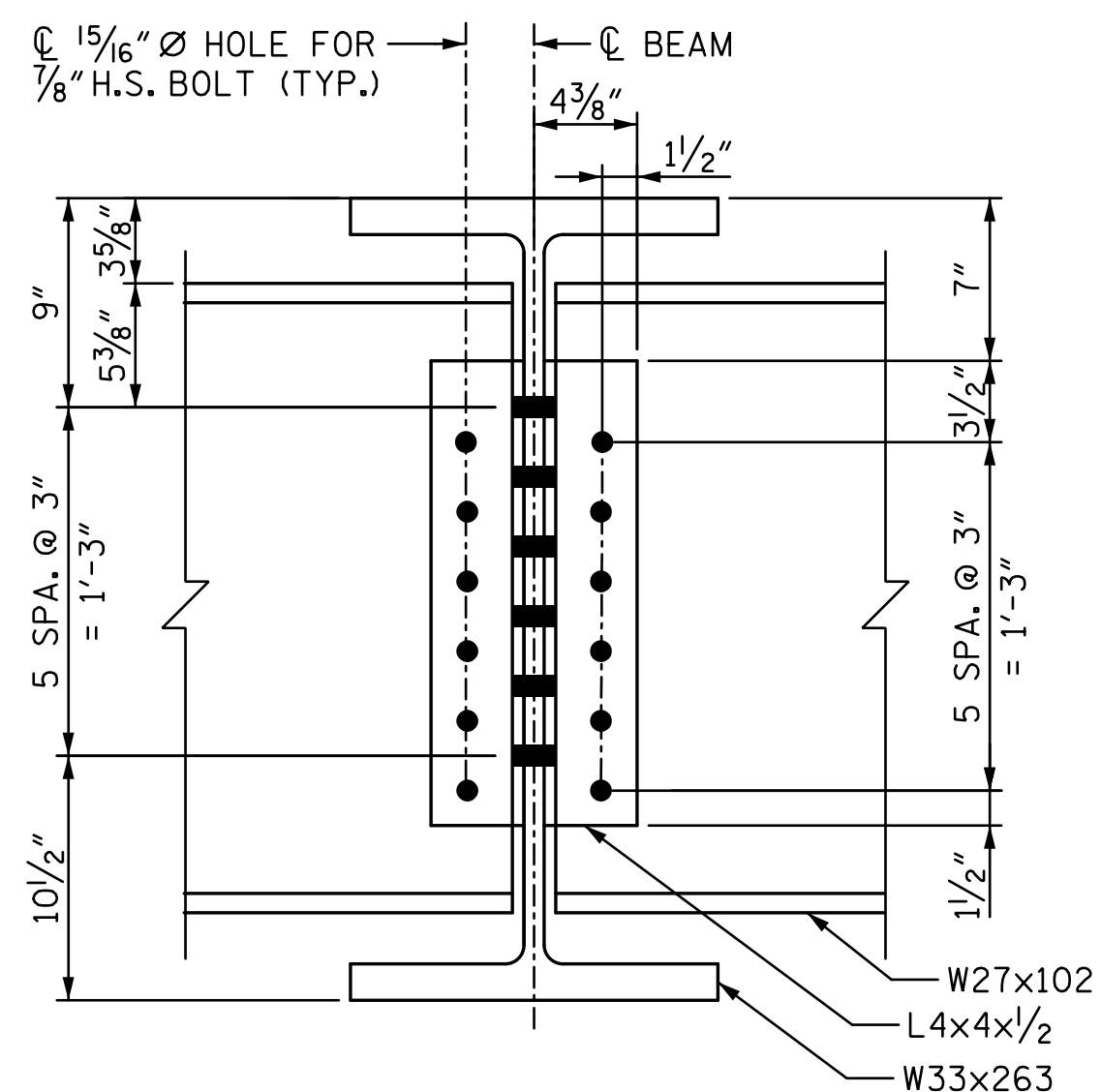


▲ FOR OUTSIDE FACE OF EXTERIOR GIRDER/BEAM
PROVIDE 1/2"x8"x1'-10" FILLER PLATE BETWEEN ANGLES.

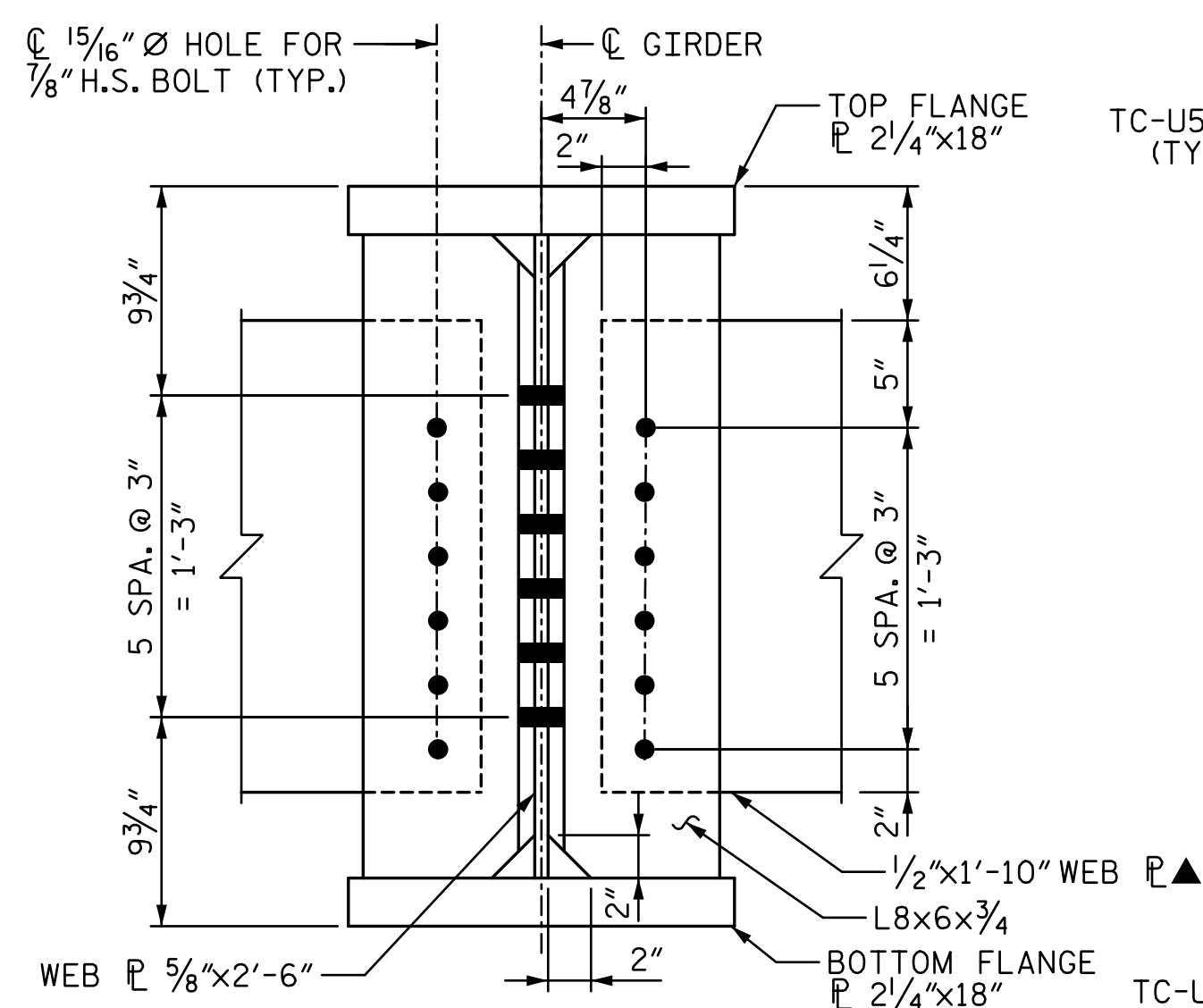
NOTE: FOR WELD TERMINATION DETAILS, SEE SHEET TITLED
"STRUCTURAL STEEL DIAPHRAGM DETAILS".



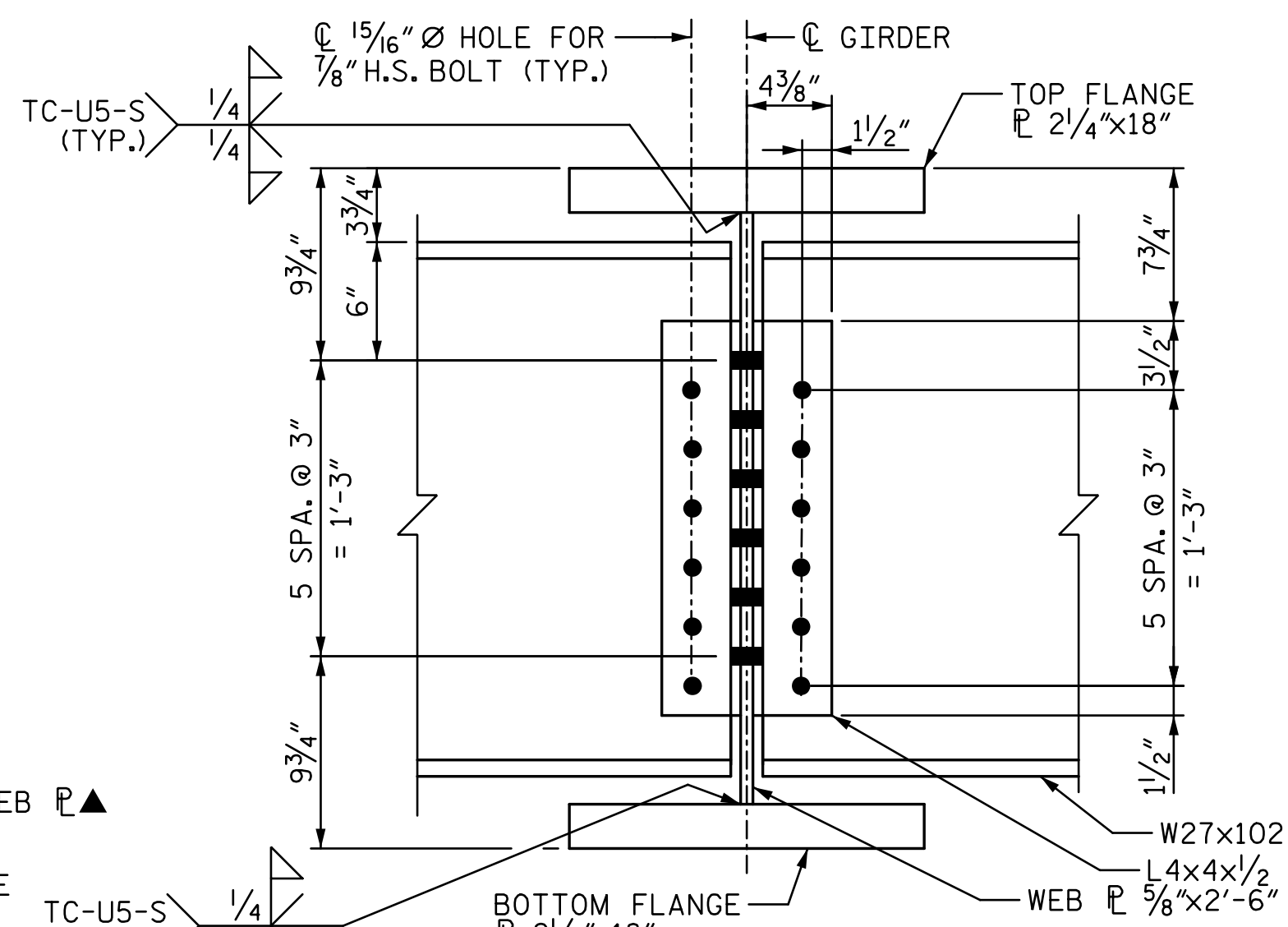
SECTION H-H
TYPICAL END DIAPHRAGM



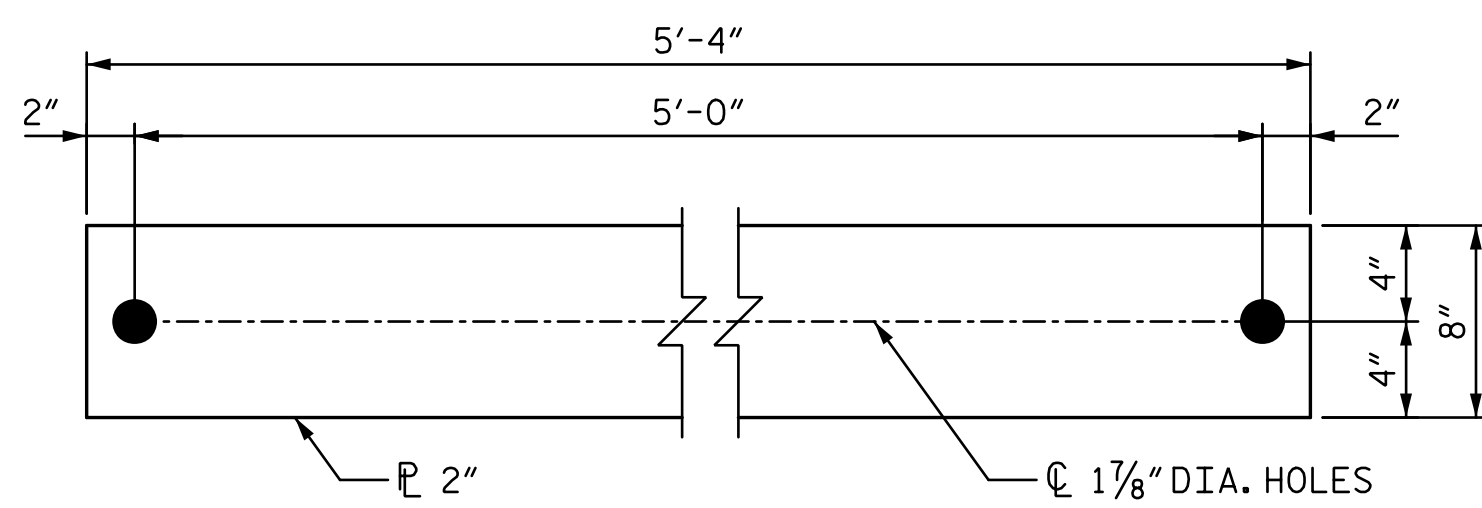
SECTION J-J
TYPICAL INTERMEDIATE DIAPHRAGM



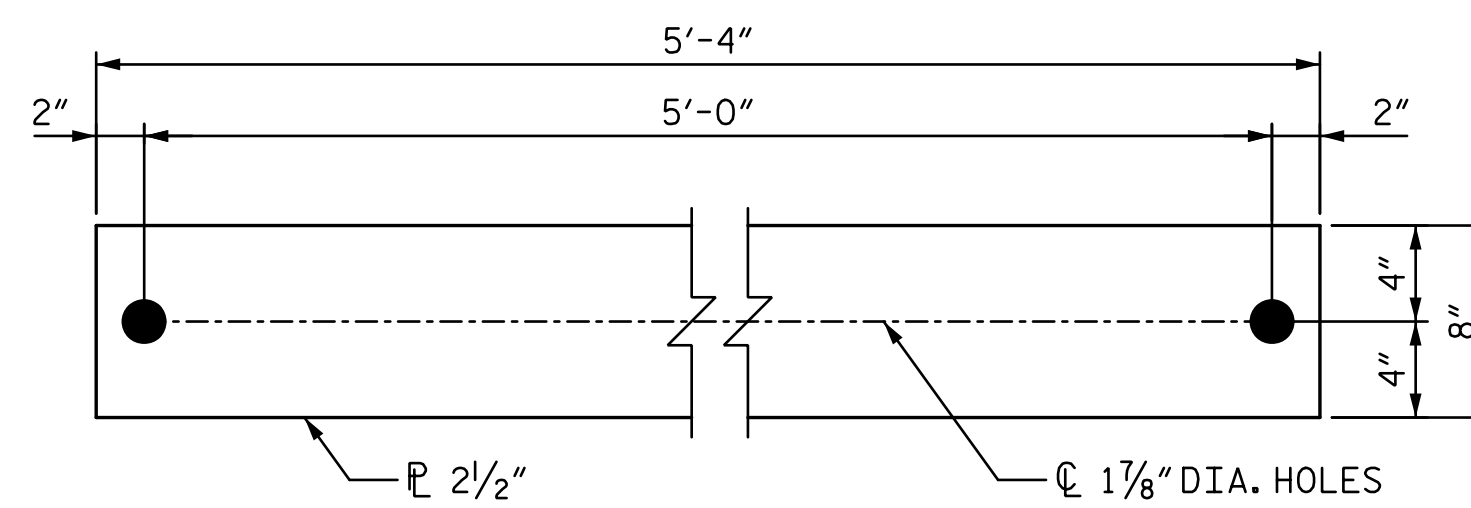
SECTION H-H - ALTERNATE
TYPICAL END DIAPHRAGM



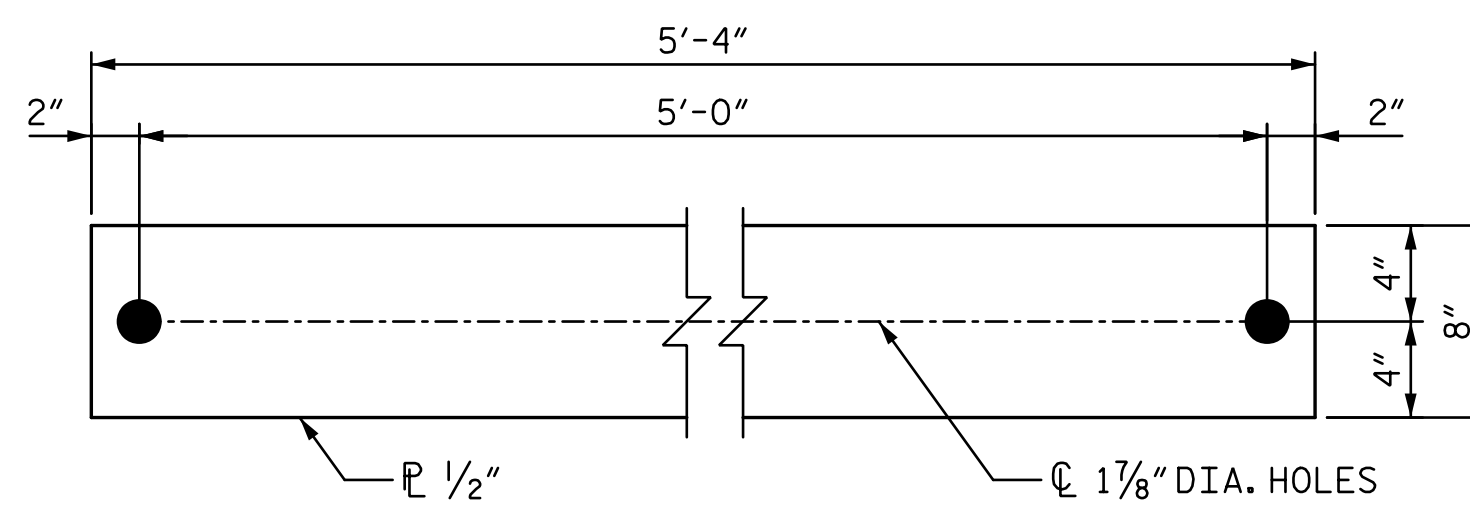
SECTION J-J - ALTERNATE
TYPICAL INTERMEDIATE DIAPHRAGM



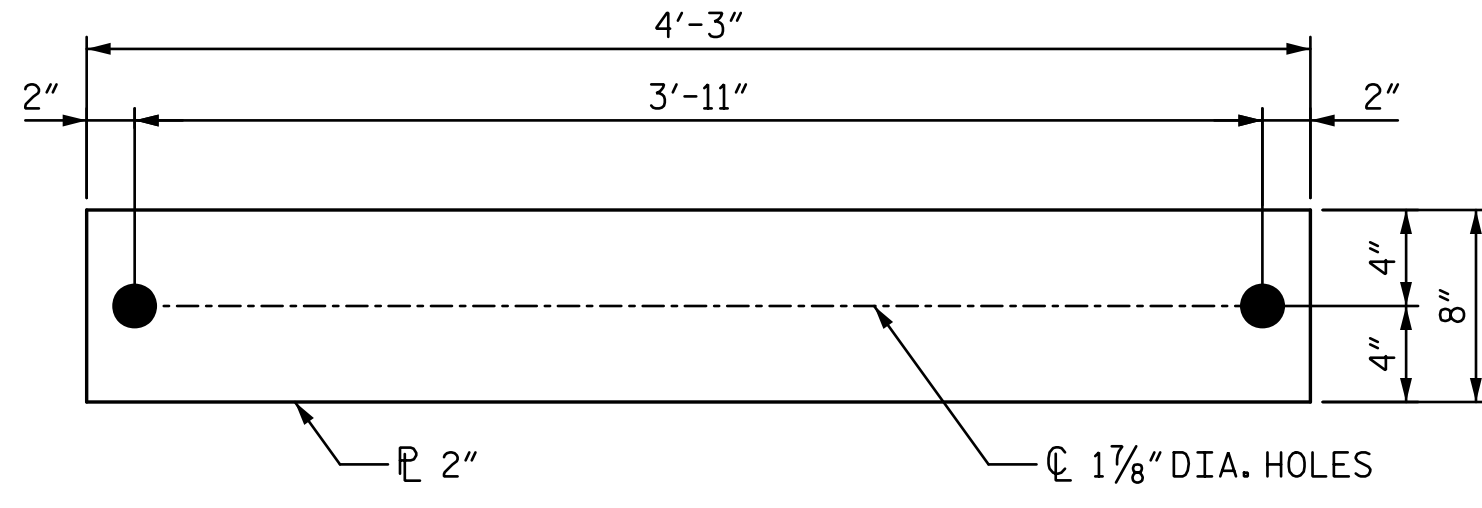
SOLE PLATE



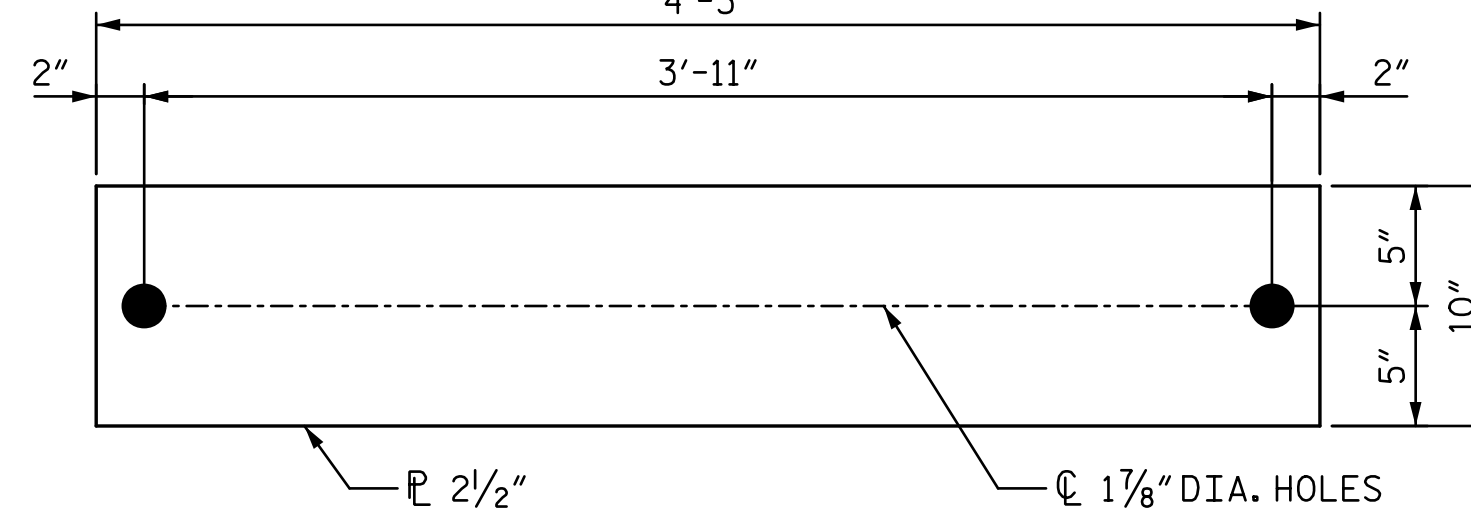
MASONRY PLATE



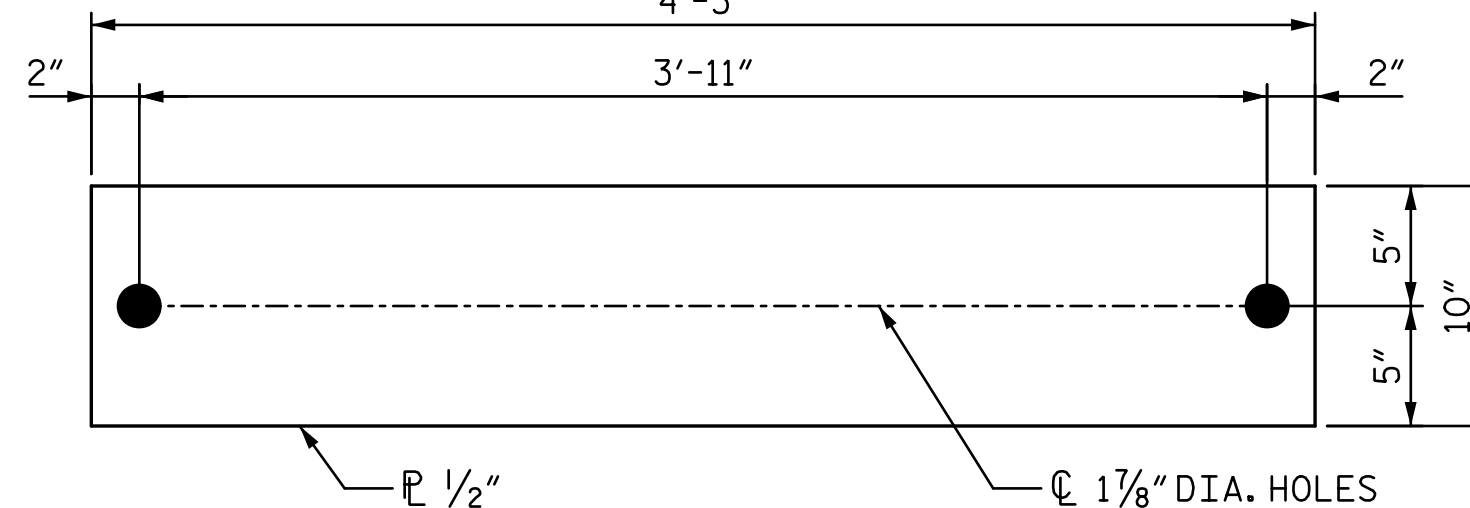
SHOCK PAD



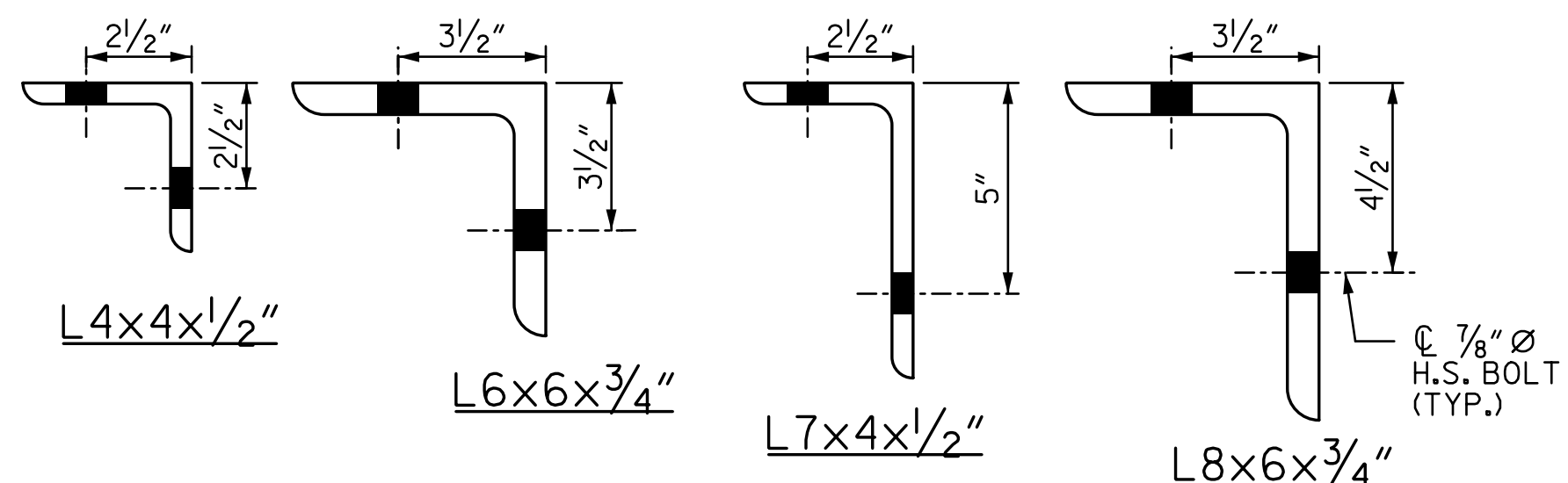
SOLE PLATE (ALTERNATE)



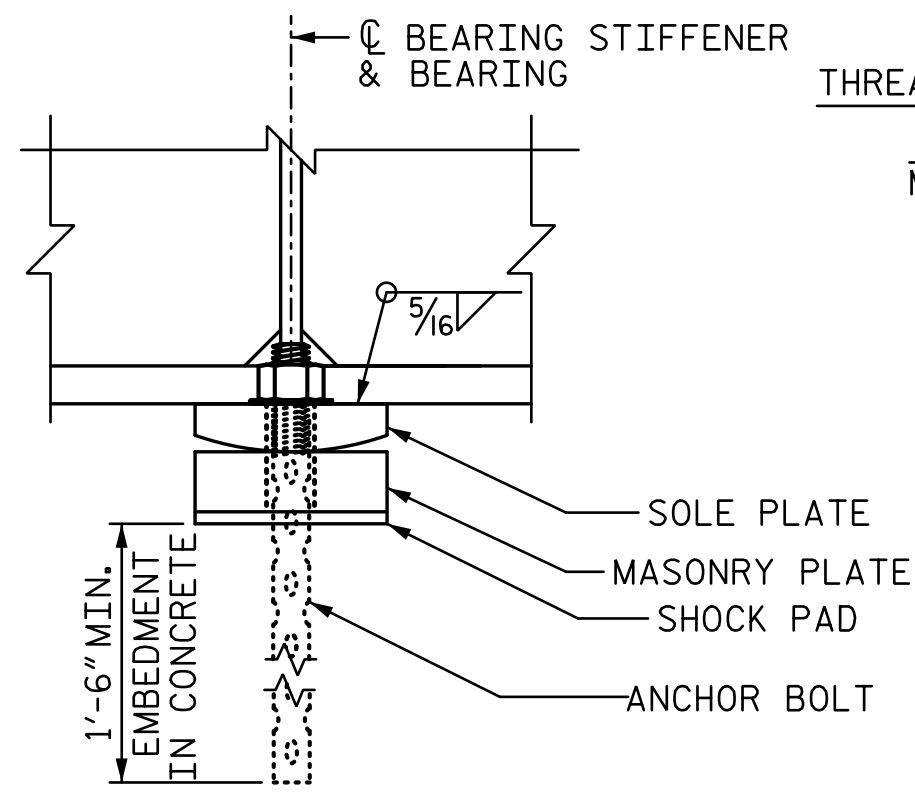
MASONRY PLATE (ALTERNATE)



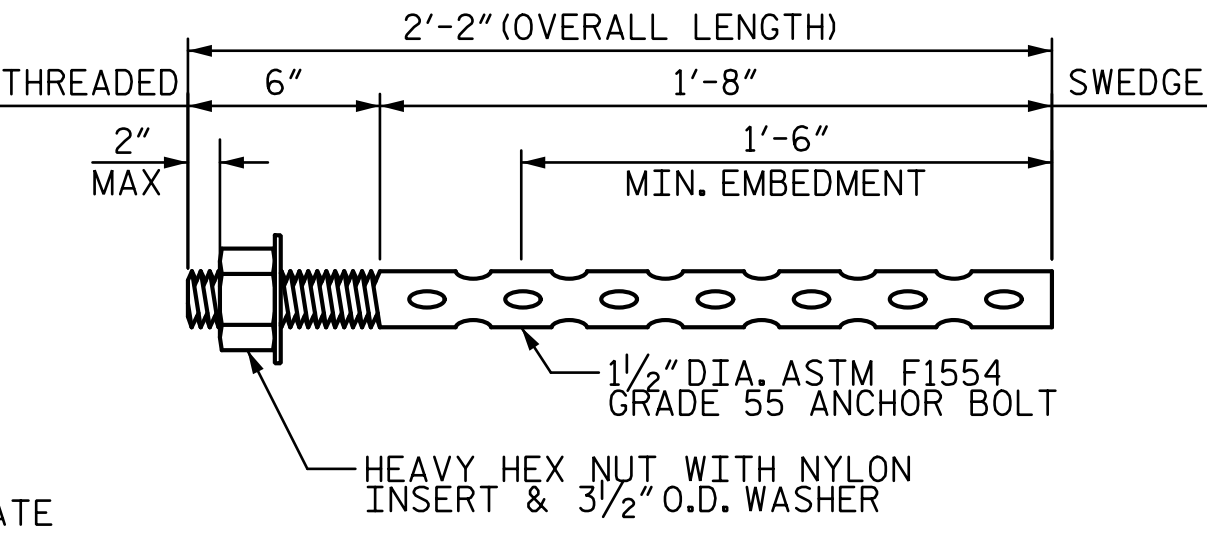
SHOCK PAD (ALTERNATE)



DIAPHRAGM CONNECTOR DETAILS



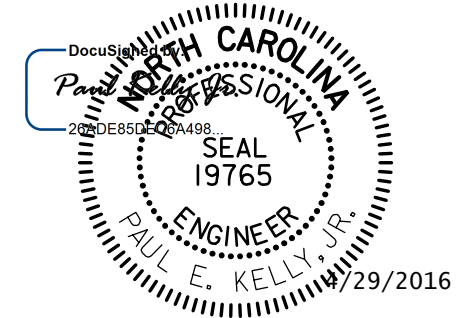
BEARING ASSEMBLY



ANCHOR BOLT DETAIL

**ANCHOR BOLT
INSTALLATION NOTES**

1. PLACE BEARING ASSEMBLY IN THE PLAN LOCATIONS AS SHOWN ON SHEETS TITLED "TEMPORARY SPAN STRUCTURAL STEEL (1 OF 3)", "PIER 2 TEMPORARY PEDESTAL" AND "PIER 3 TEMPORARY PEDESTAL".
2. INSTALL WASHER AND HEAVY HEX NUT ON ANCHOR BOLT IN ACCORDANCE WITH DIMENSIONS ON THIS SHEET.
3. FILL THE ANCHOR BLOCKOUT SHOWN ON SHEETS TITLED "PIER 2 TEMPORARY PEDESTAL" AND "PIER 3 TEMPORARY PEDESTAL" WITH EPOXY GROUT.
4. PLACE ANCHOR BOLT IN PREFORMED HOLE.
5. ALLOW EPOXY GROUT TO SET PRIOR TO SETTING GIRDERS ON BEARING ASSEMBLIES.



PROJECT NO. U-3308
 DURHAM COUNTY
 STATION: 24+55.20 -LALT-
13+22.18 -CSXN-
 SHEET 14 OF 16

STATE OF NORTH CAROLINA
 DEPARTMENT OF TRANSPORTATION
 RALEIGH

**TEMPORARY SPAN
 STRUCTURAL STEEL
 DETAILS (3 OF 3)**

REVISIONS				SHEET NO.	
NO.	BY:	DATE:	NO.	BY:	DATE:
1			3		
2			4		

TOTAL SHEETS: 68

DRAWN BY: NMC DATE: 06-14
 CHECKED BY: DJM DATE: 06-14

SECTION THROUGH BEARING

DOCUMENT NOT CONSIDERED FINAL
 UNLESS ALL SIGNATURES COMPLETED

STV / Ralph Whitehead Associates, Inc.
 900 W Trade Street, Suite 715
 Charlotte, NC 28202
 NC License No. F-0991

I:\PROJ\251325\ustation\struct\Temporary Span\404_065_U3308_SMU_TSI4.dgn
 12:33:09 PM
 4/29/2016
 p.kelly